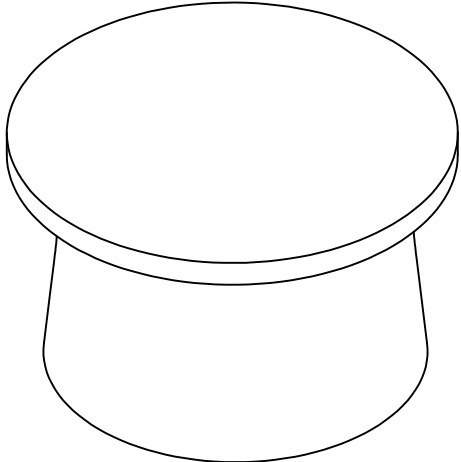

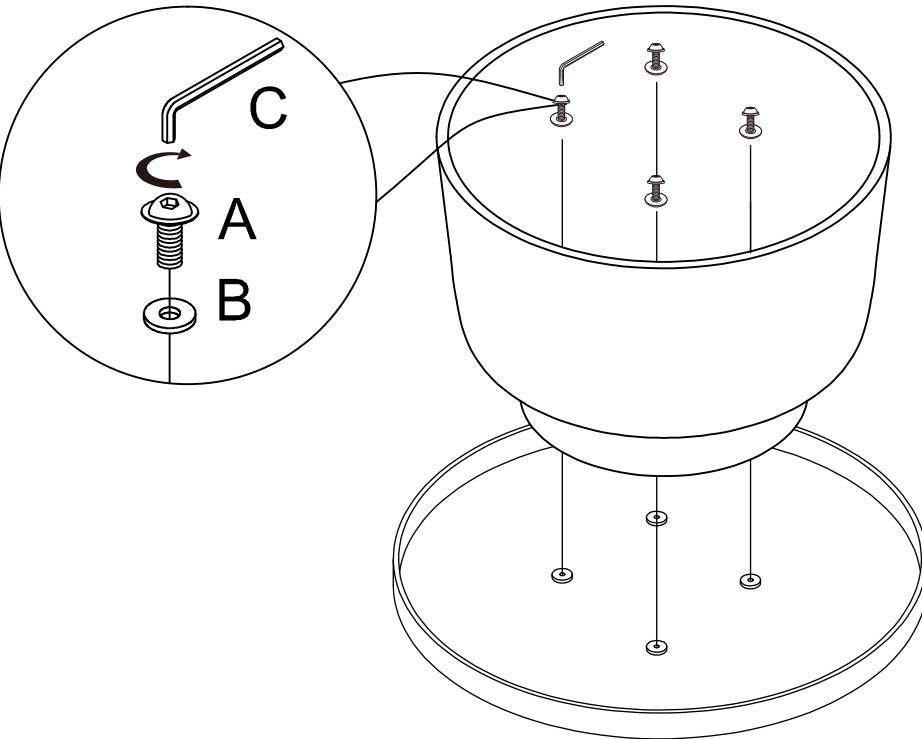

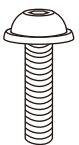
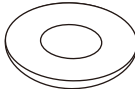
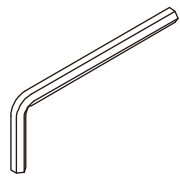



| | | | |
|--|---|--|--|
|  <p>ULMONDO U-805</p> | |  | <p>1</p>  |
| | |  <p>15min</p> | |
| <p>Ax4</p>  | <p>Bx4</p>  | <p>Cx1</p>  | |
| | | |  <p>ULMONDO U-805</p> |