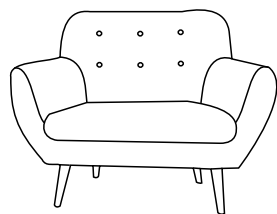
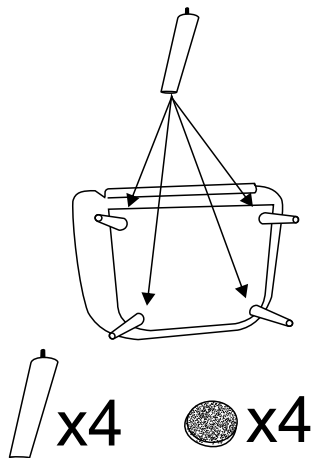


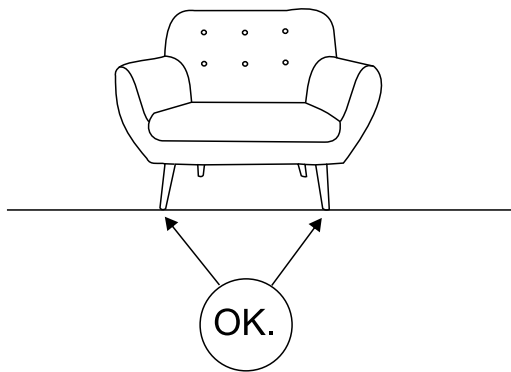
# STAMFORD



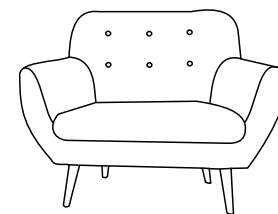
1



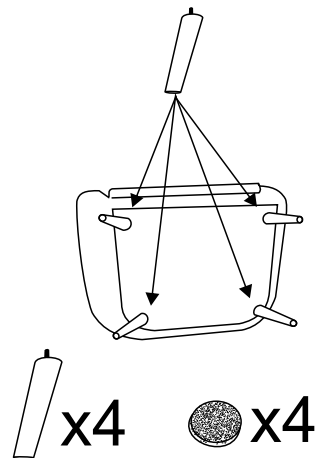
2



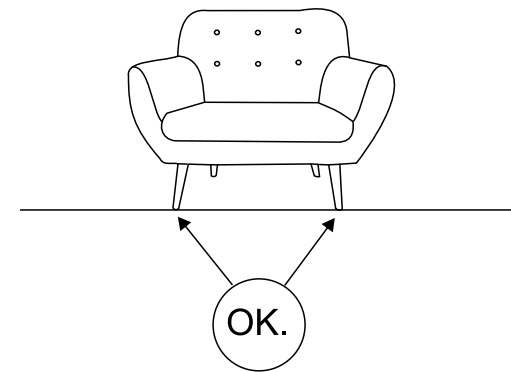
# STAMFORD



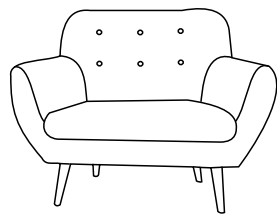
1



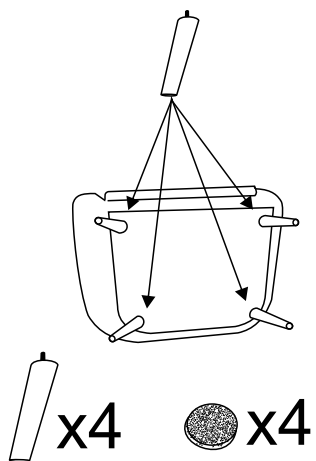
2



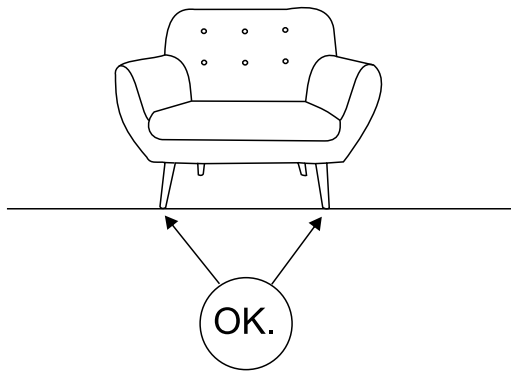
# STAMFORD



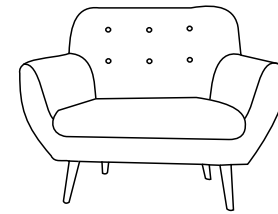
1



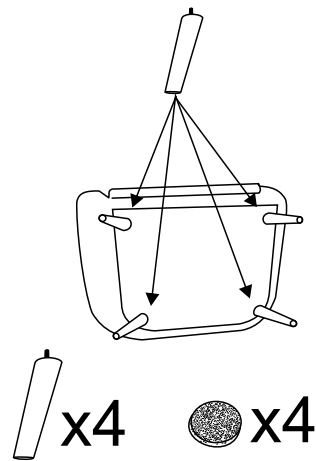
2



# STAMFORD



1



2

