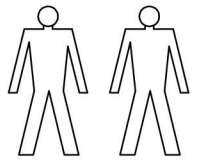
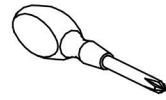
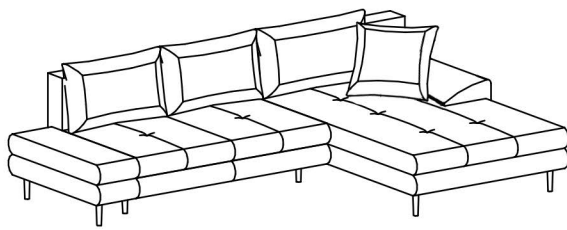
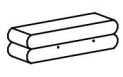
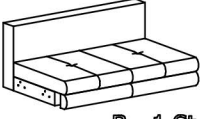
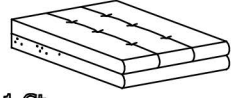
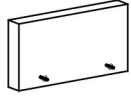
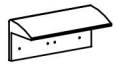
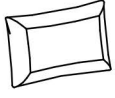
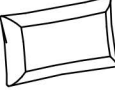



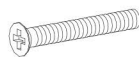
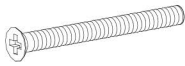
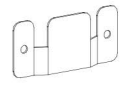



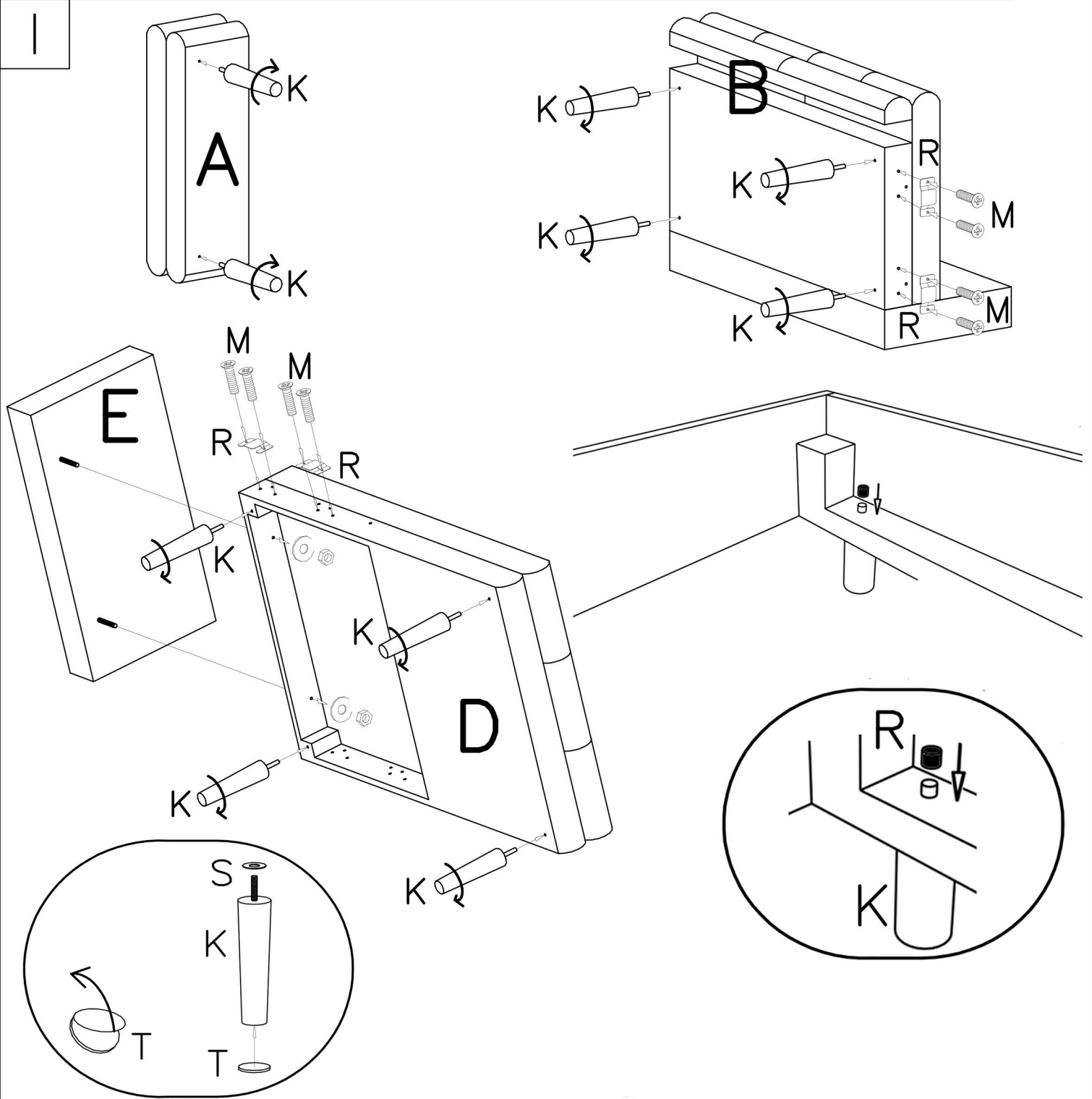


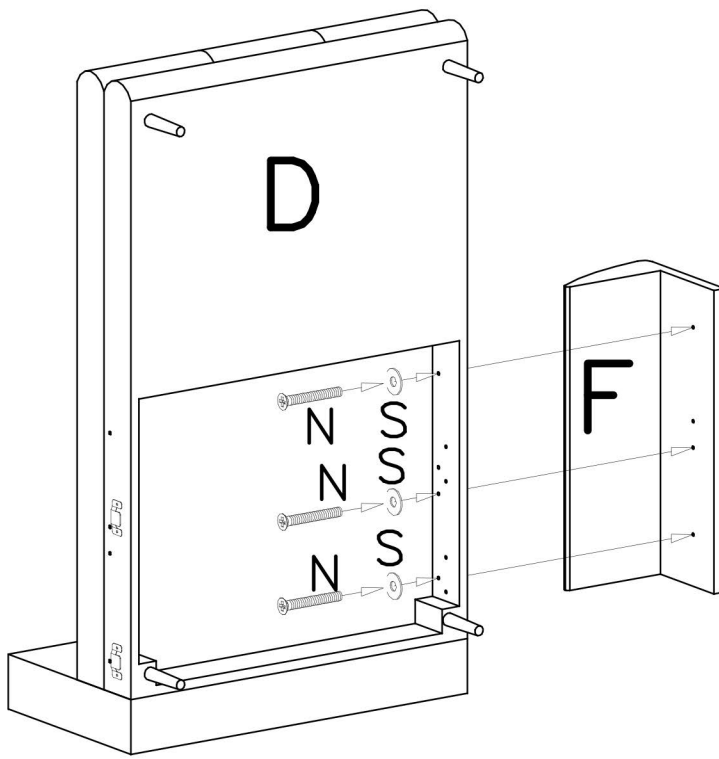
FLOBY AGATA



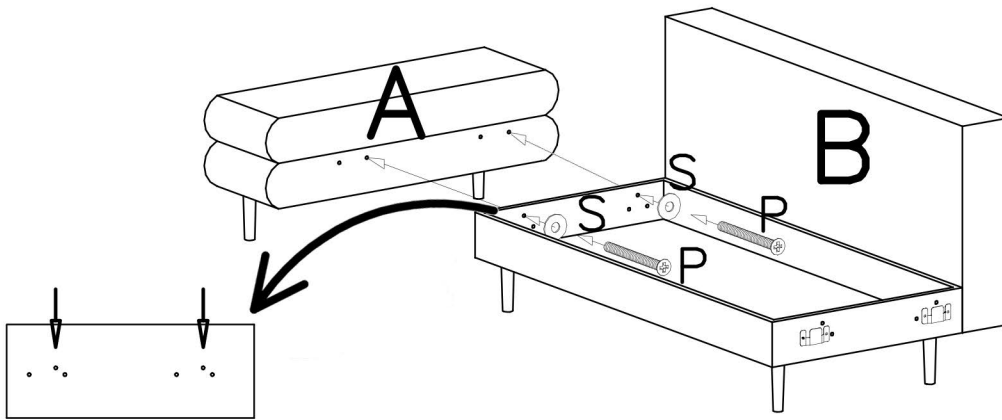
 A - 1 St.	 B - 1 St.	 D - 1 St.	 E - 1 St.	 F - 1 St.	 G - 2 St.	 H - 1 St.	 J - 1 St.
 K - 10 St. 16cm	 M - 8 St. M6x20mm	 N - 3 St. M8x40mm	 P - 2 St. M8x60mm	 R - 4 St.	 S - 15 St. M10	 T - 10 St.	 R - 4 St.



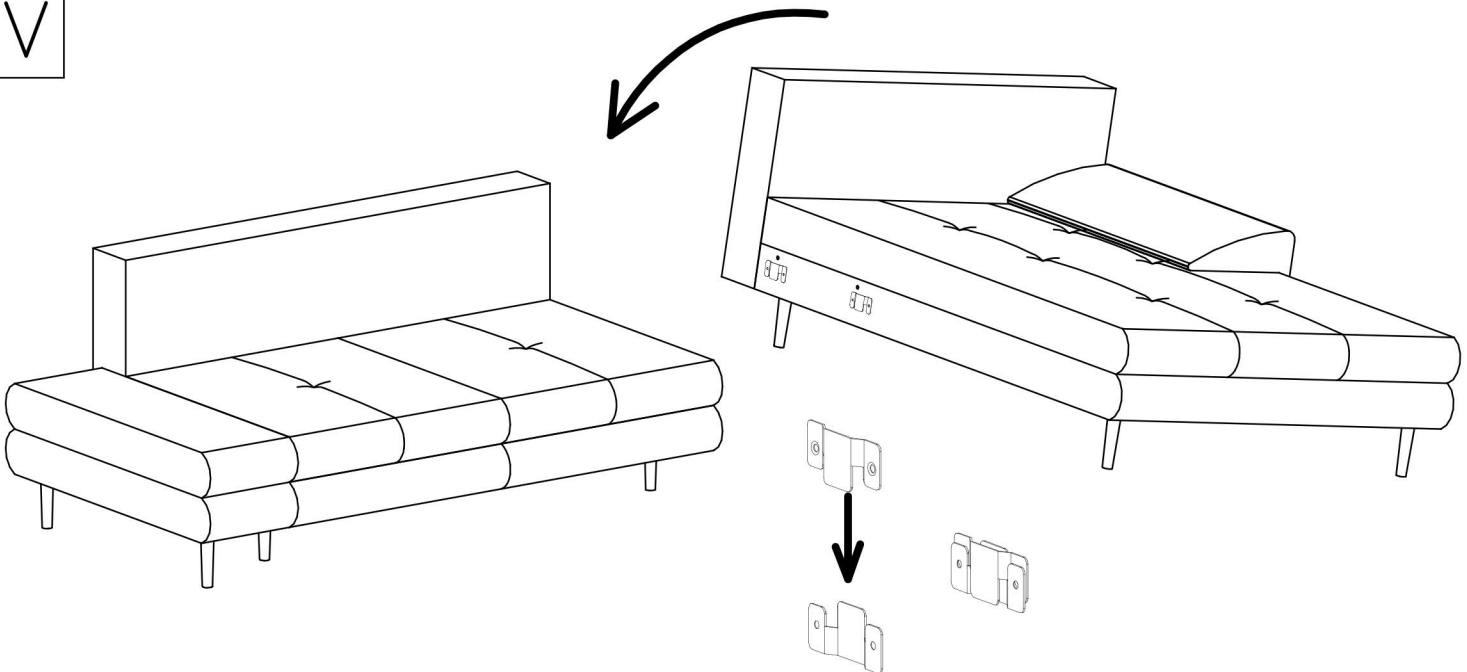
III



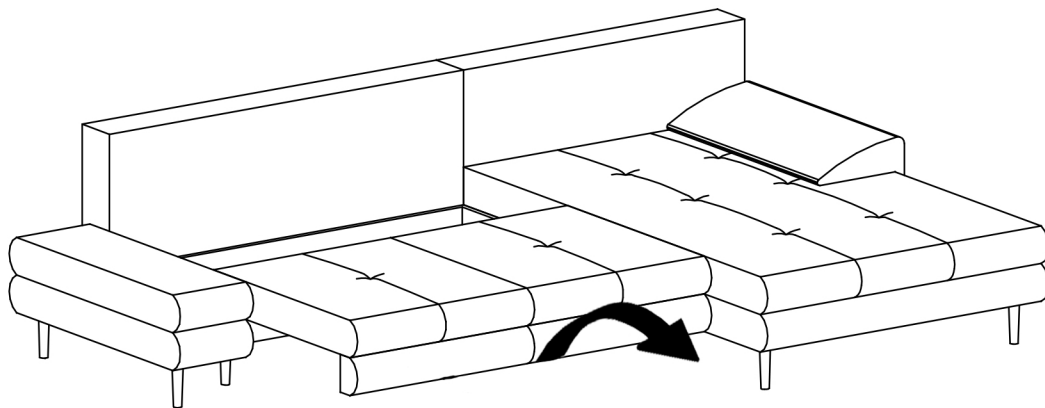
III



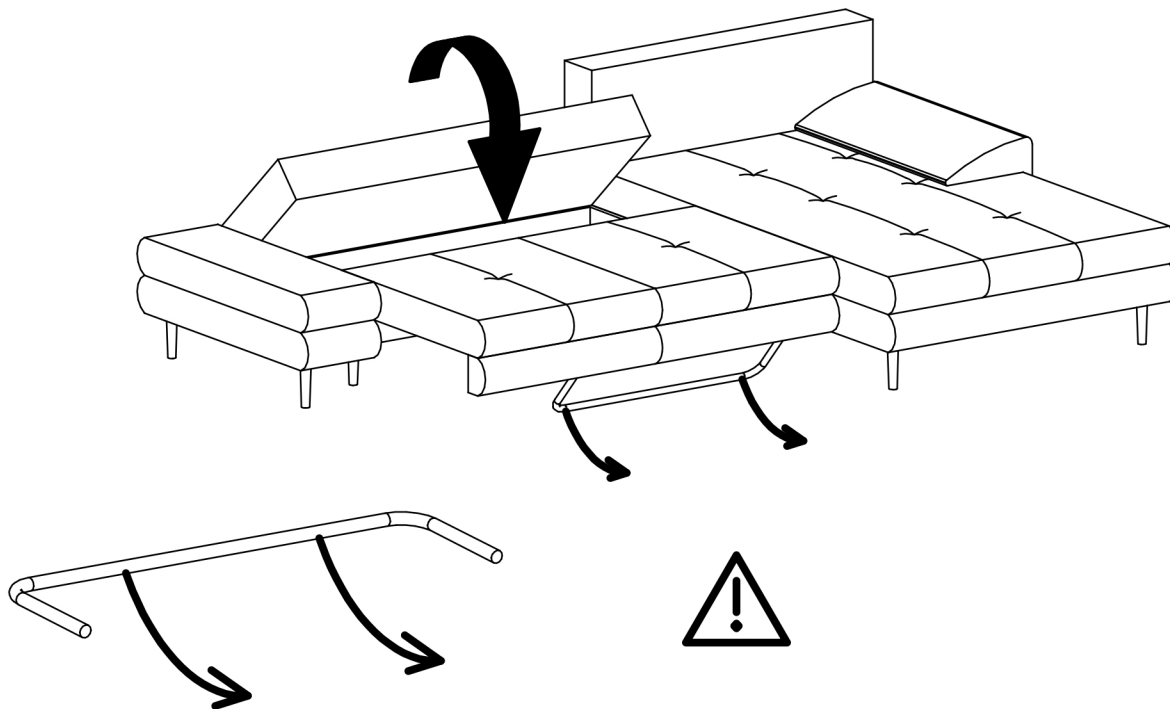
IV



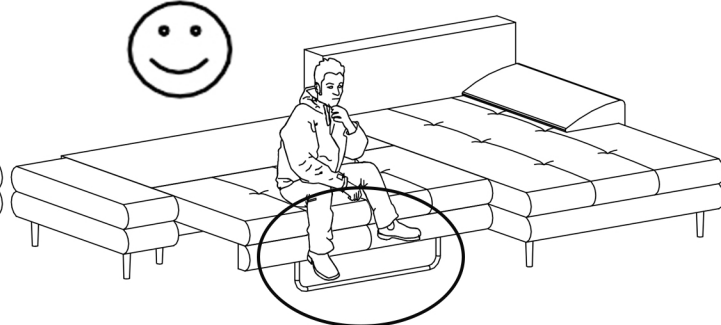
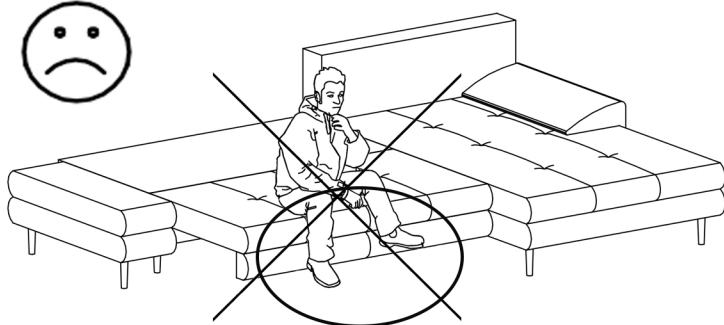
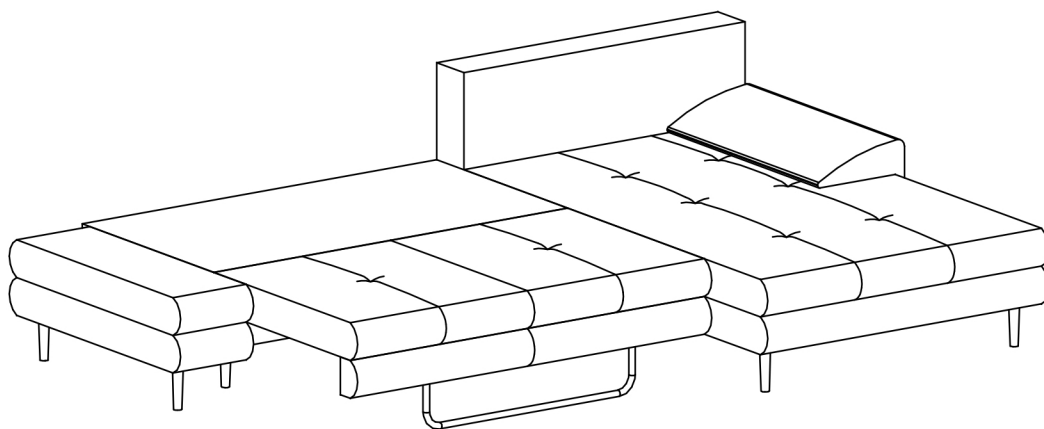
V

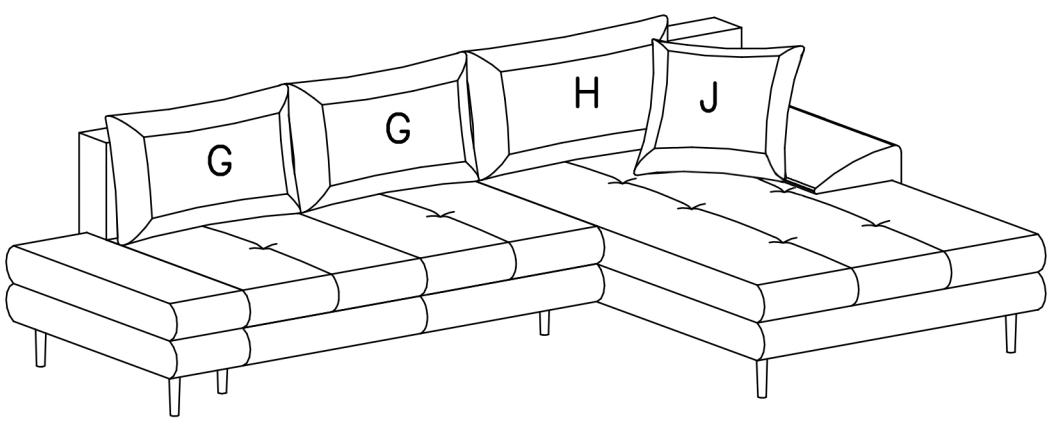


VI

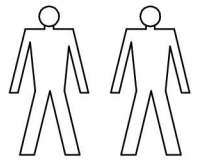
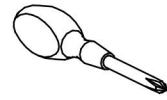
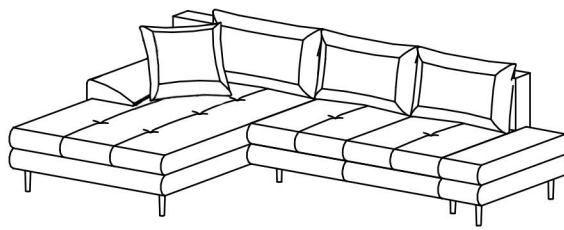


VII

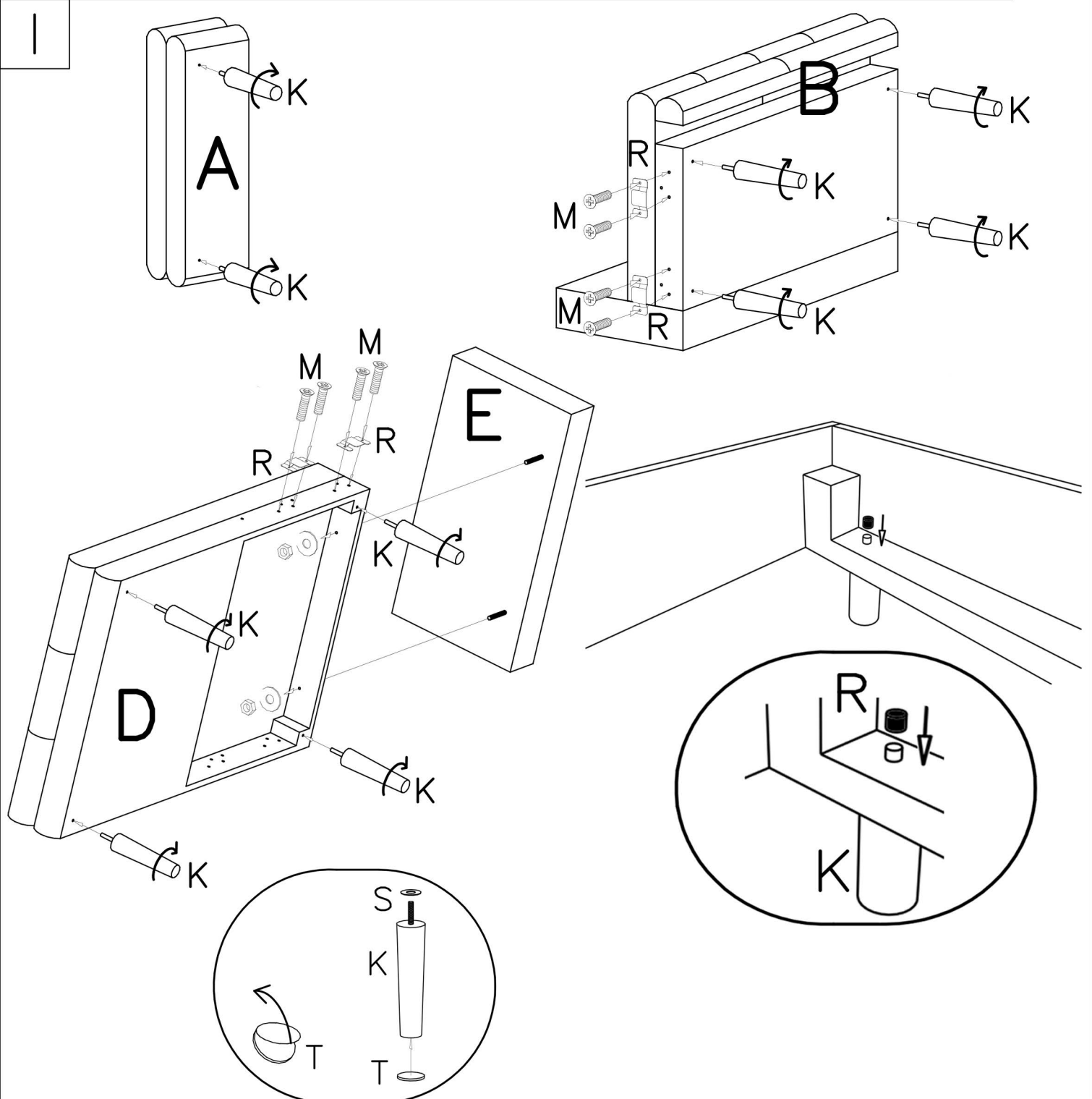




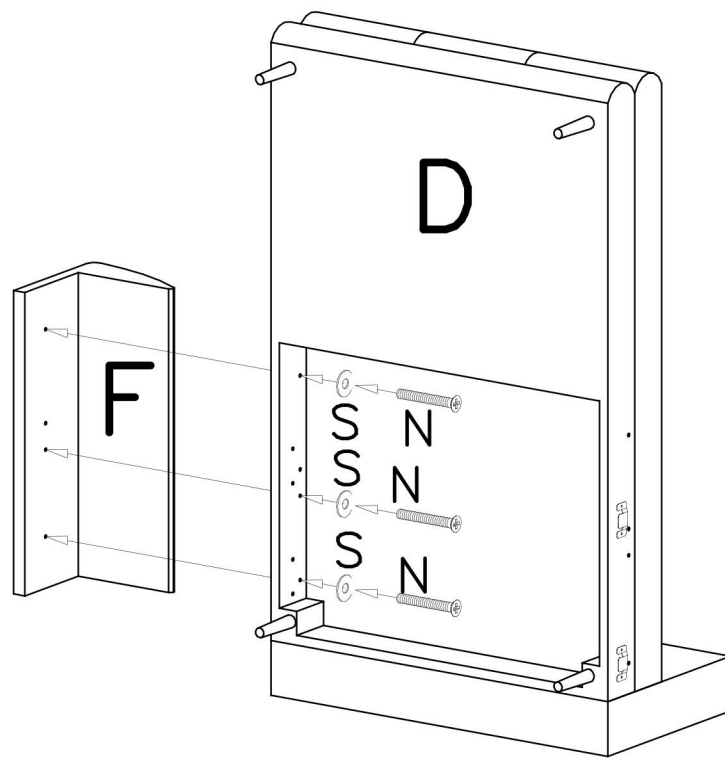
FLOBY AGATA



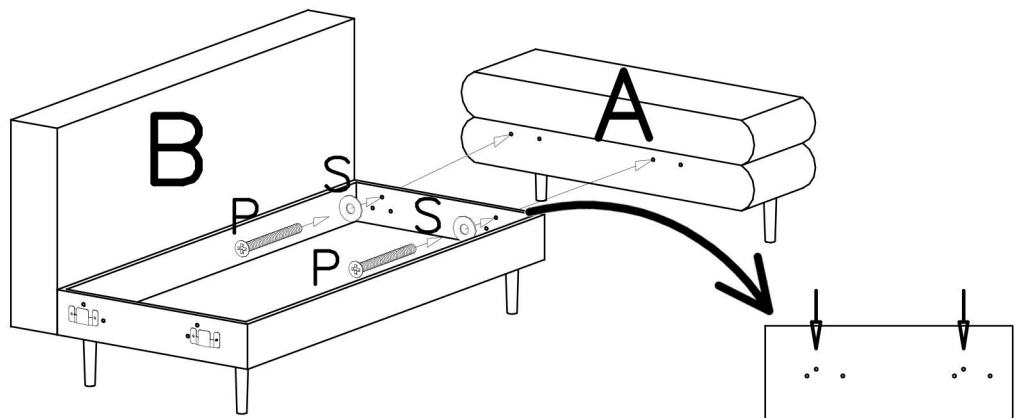
 A - 1 St.	 B - 1 St.	 D - 1 St.	 E - 1 St.	 F - 1 St.	 G - 2 St.	 H - 1 St.	 J - 1 St.
 K - 10 St. 16cm	 M - 8 St. M6x20mm	 N - 3 St. M8x40mm	 P - 2 St. M8x60mm	 R - 4 St.	 S - 15 St. M10	 T - 10 St.	 R - 4 St.



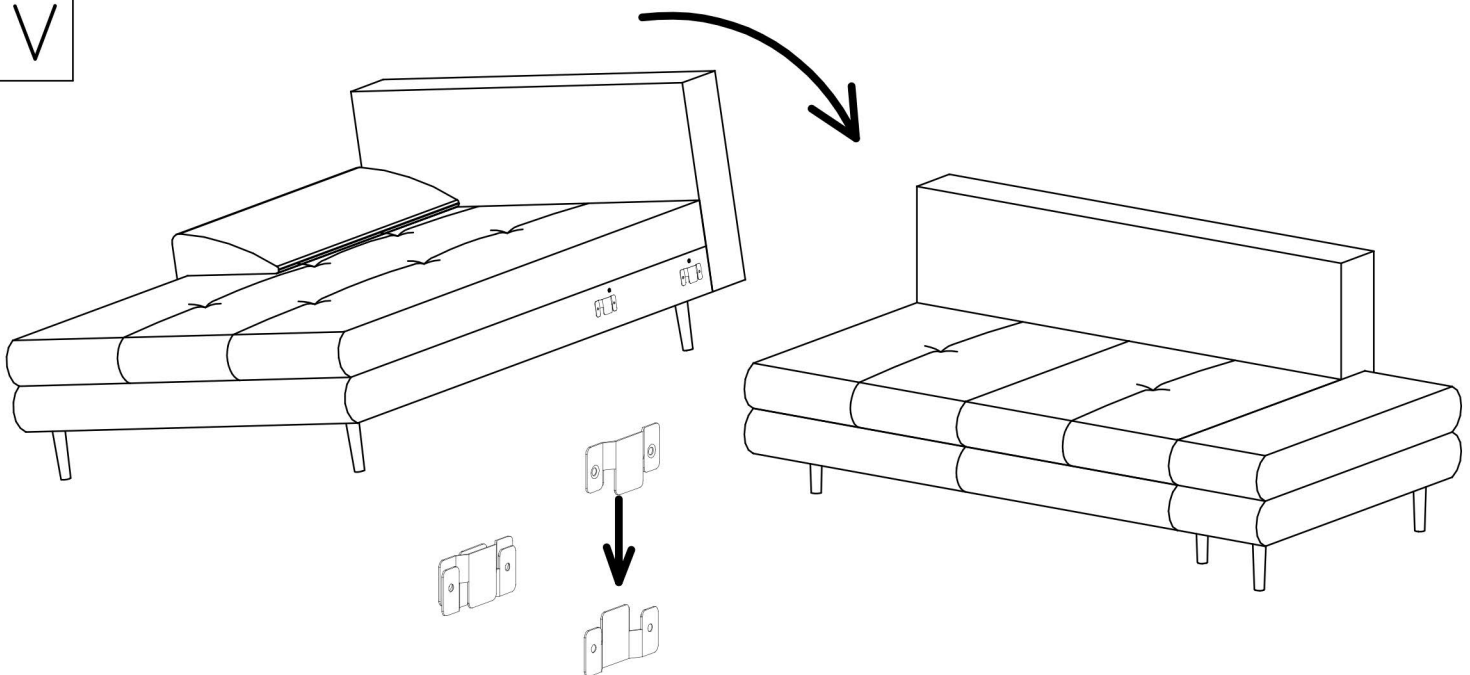
III



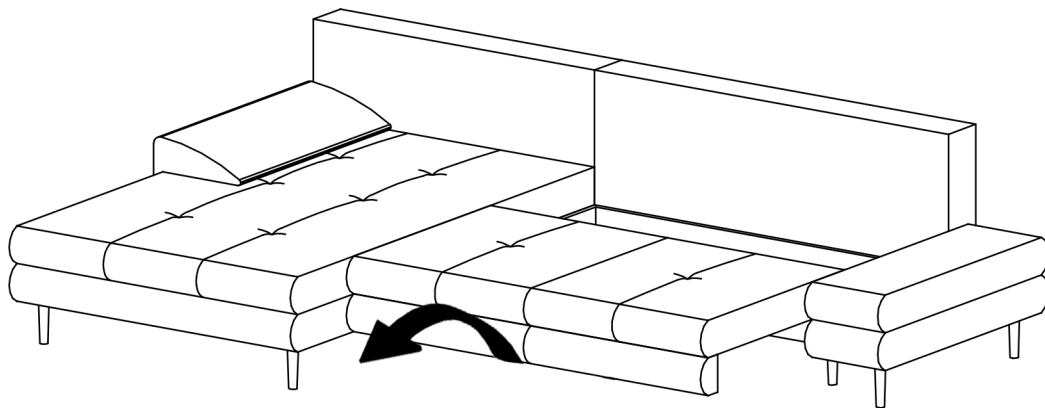
III



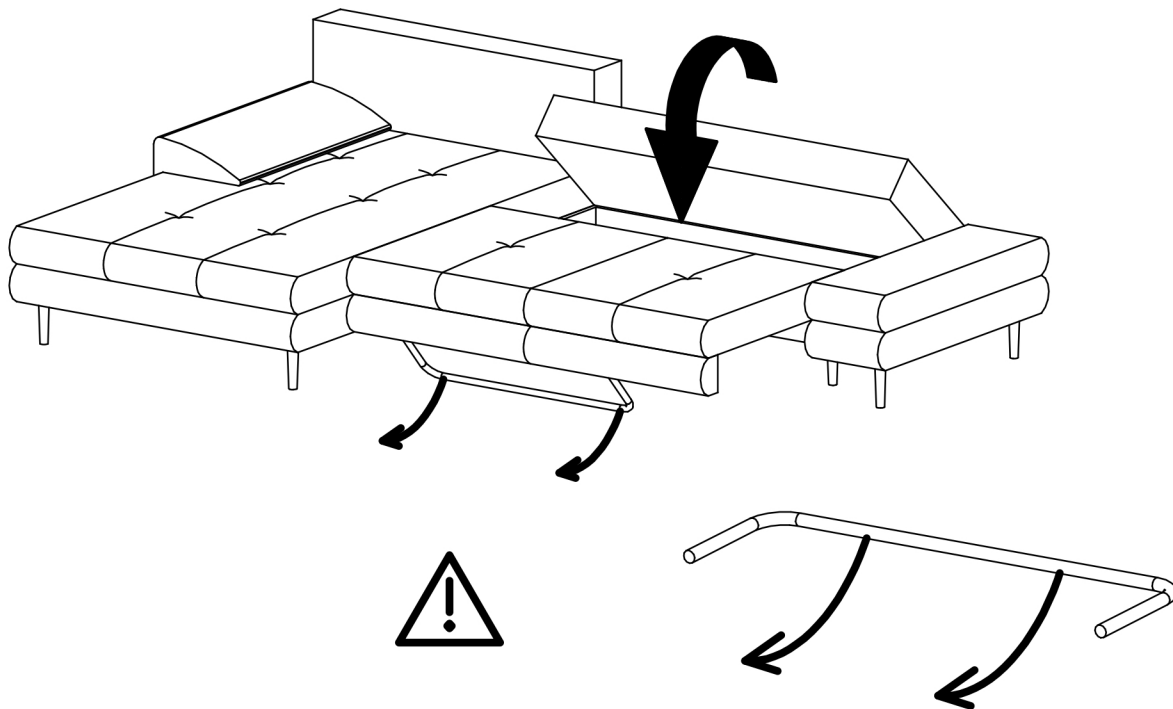
IV



V



VI



VII

