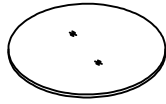
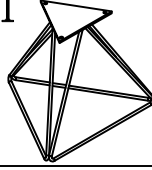


①x1



②x1



③x3



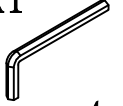
M6x15mm

④x3



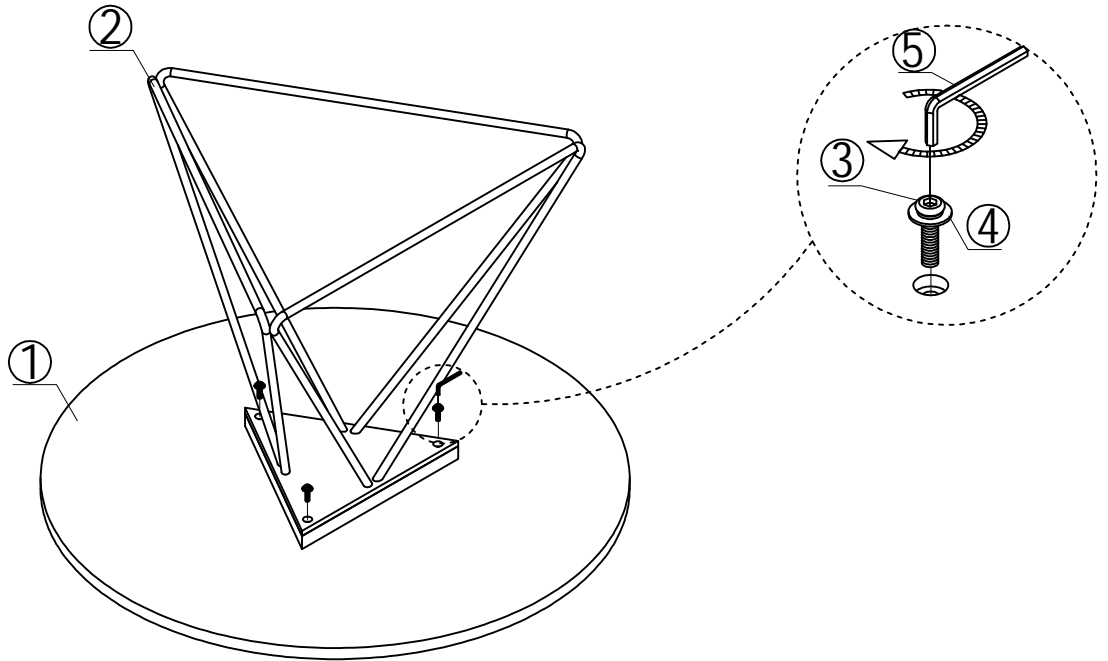
φ 6x φ 17mm

⑤x1



4mm

1



2

