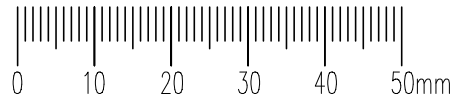
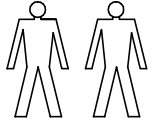
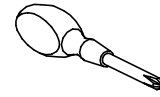
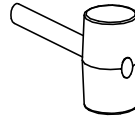
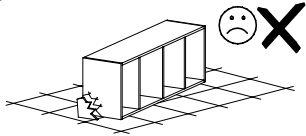
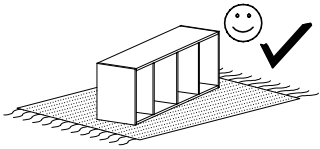



# STEP ST 9




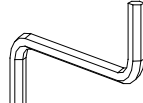
250

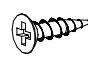
250

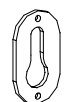
1200

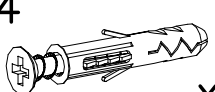
A1  x6  
ø7x50

B7  x10  
ø8x30

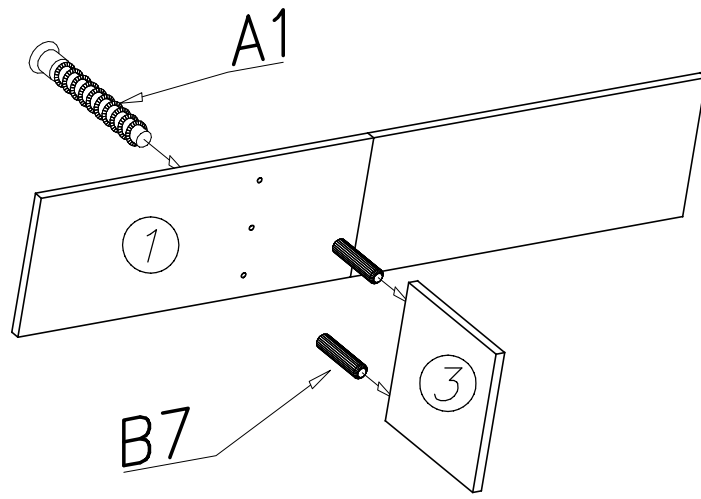
W2  x1

G4  x4  
4x16

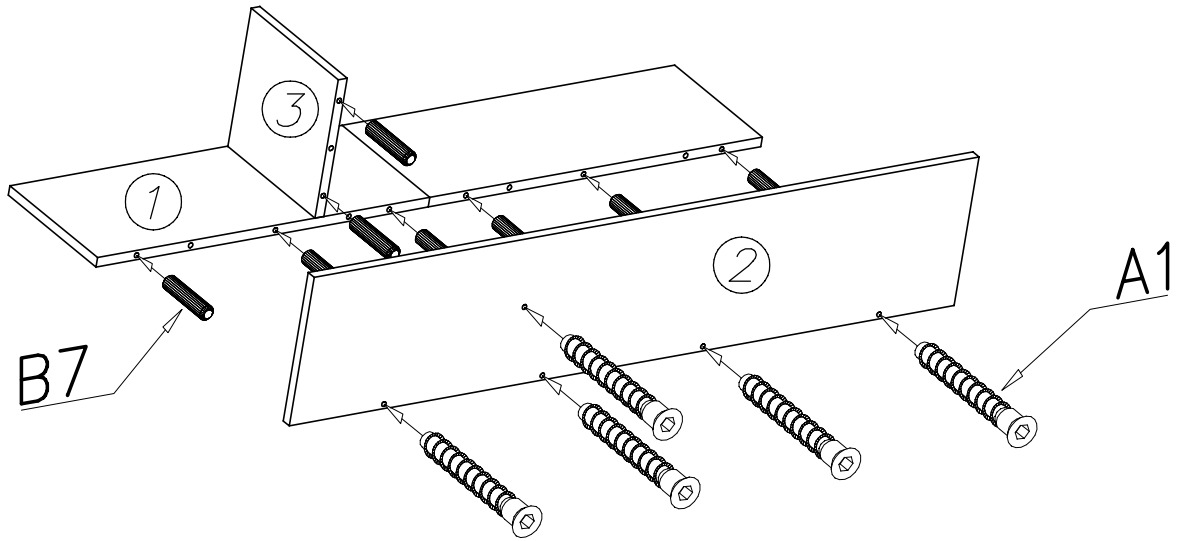
U12  x2

U4  x2

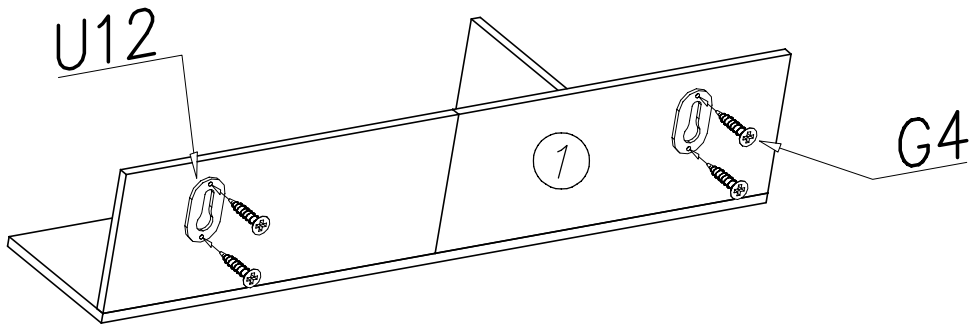
I



II



III



IV

