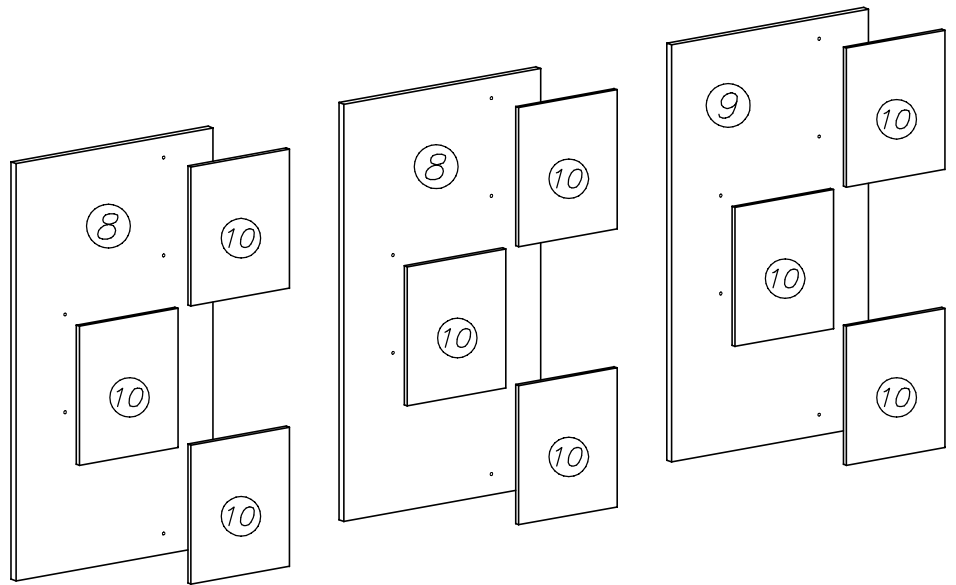
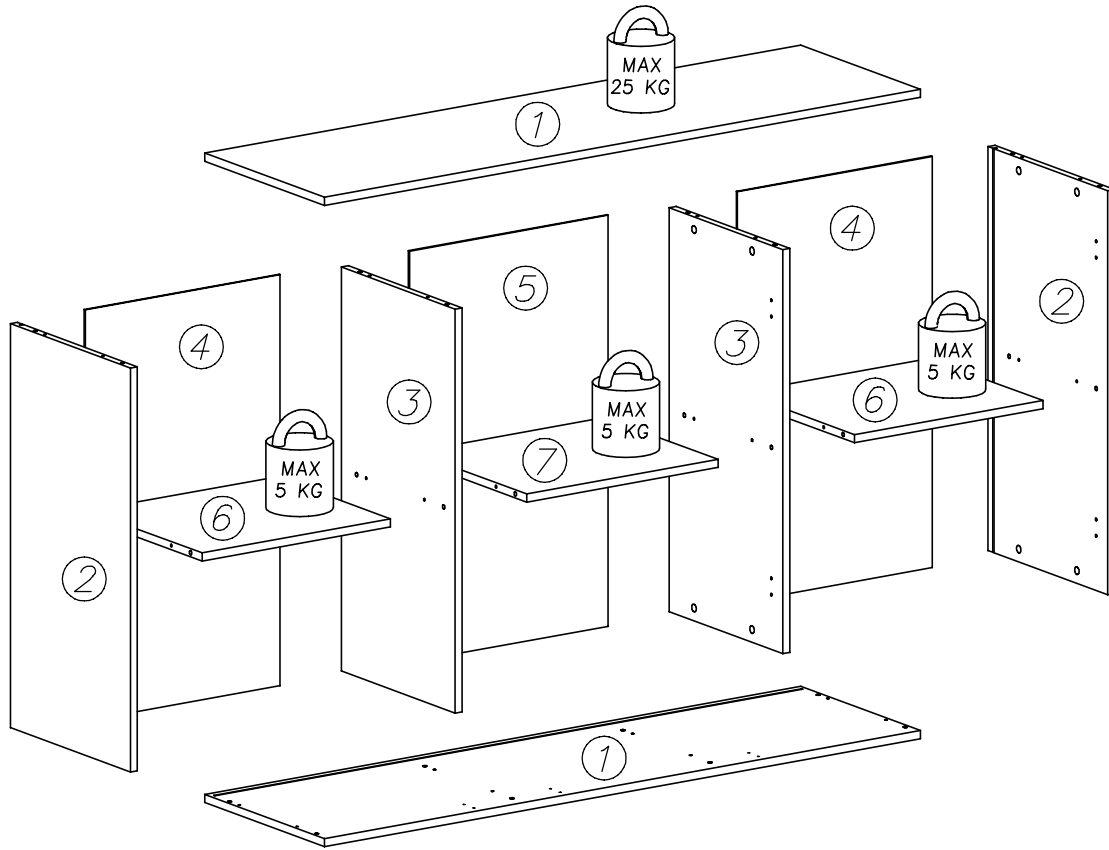
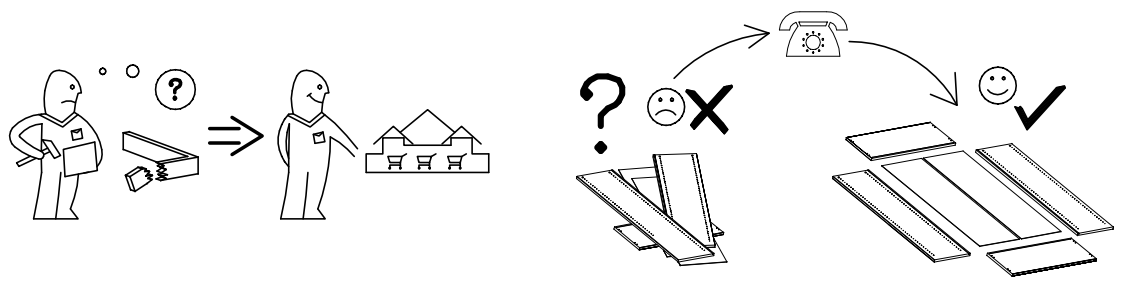
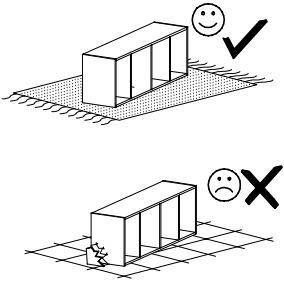


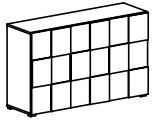
nr	L[mm]	B[mm]	T[mm]	Menge	Colli
1	1380	396	16	2	1/2
2	793	396	16	2	1/2
3	793	376	16	2	1/2
4	805	450	3	2	2/2
5	805	459	3	1	2/2
6	436	376	16	2	1/2
7	443	376	16	1	1/2
8	819	456	16	2	2/2
9	819	456	16	1	2/2
10	273	228	10	9	2/2



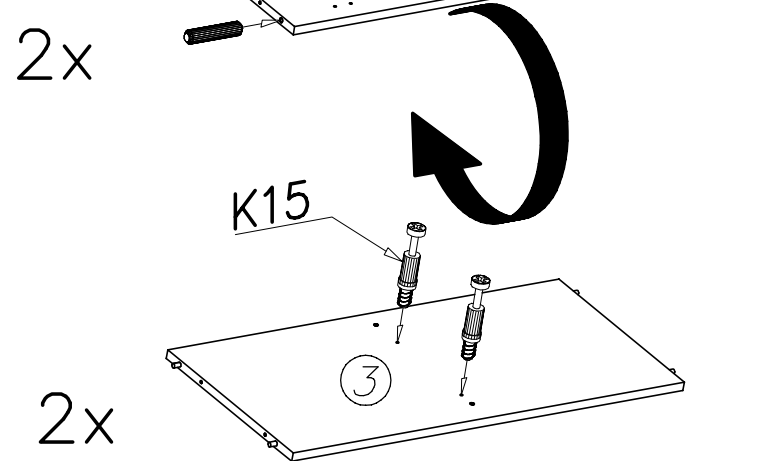
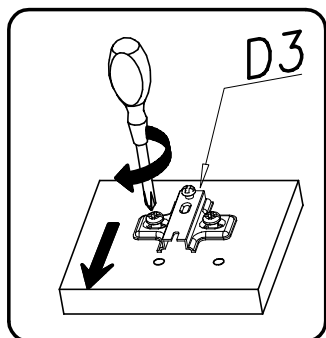
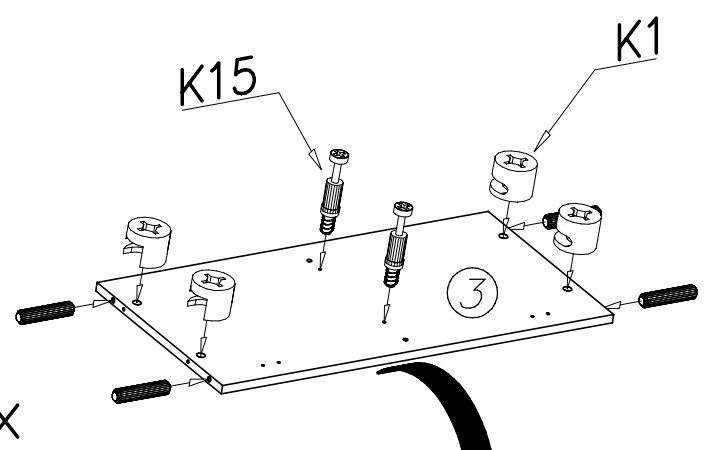
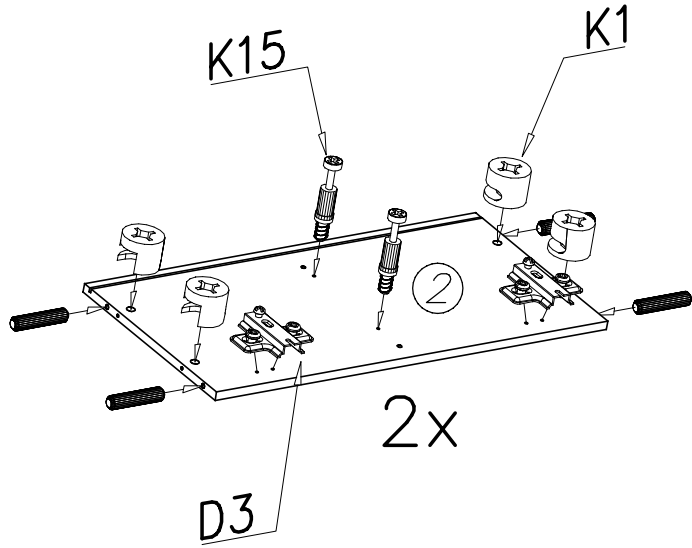
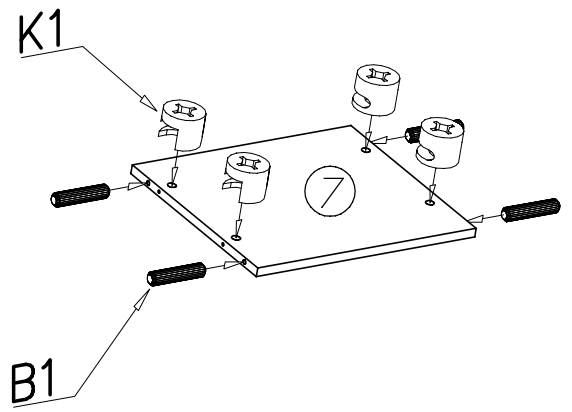
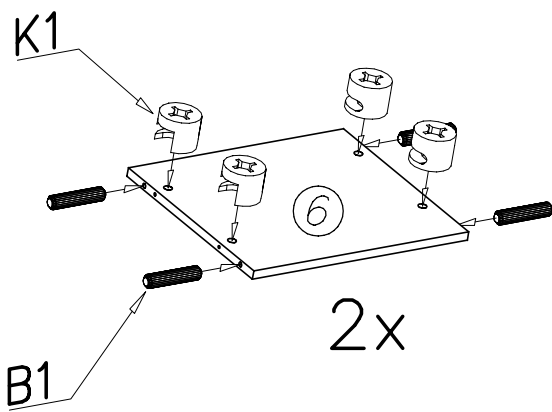
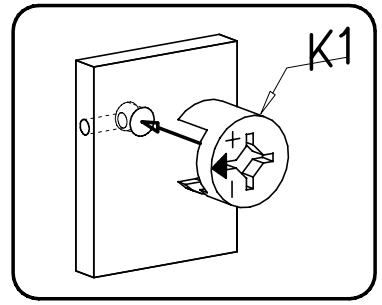
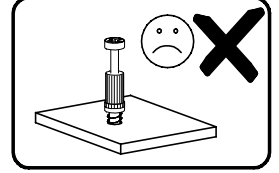
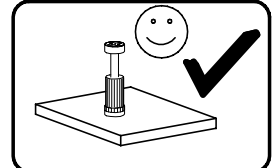
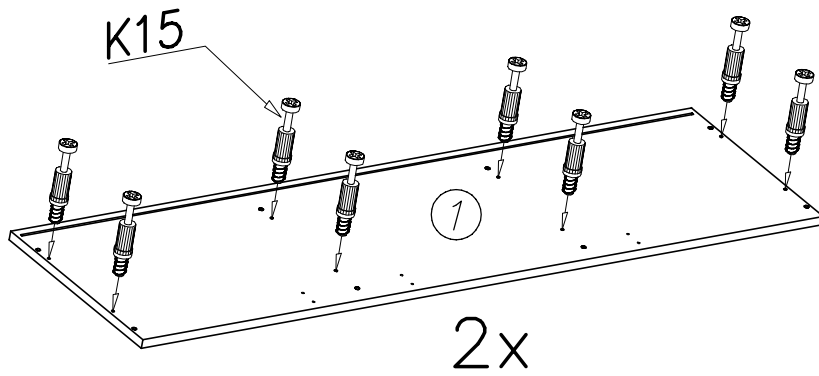
C10 Z35PL x...(2)	D10 PZ35PL x...(2)	G28 4x60 x...(1)	U6 ø8x40 x...(1)	I4 ø5 x...(6)
I1 x...(12)	M11 x...(1)	G12 4x25 x...(12)	K15 x...(28)	K1 ø15x12 x...(28)
C3 Z35PR x...(4)	D3 PZ35PR x...(4)	P15 x...(6)	G34 3,5x16 x...(42)	L13 x...(3)
B1 ø8x35 x...(28)	I7 x...(28)	G55 6x22 x...(18)	S2 x...(16)	G57 3,5x16 x...(6)

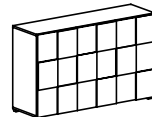
PATRIK 1



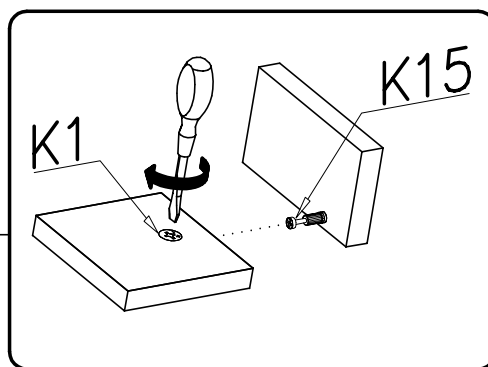
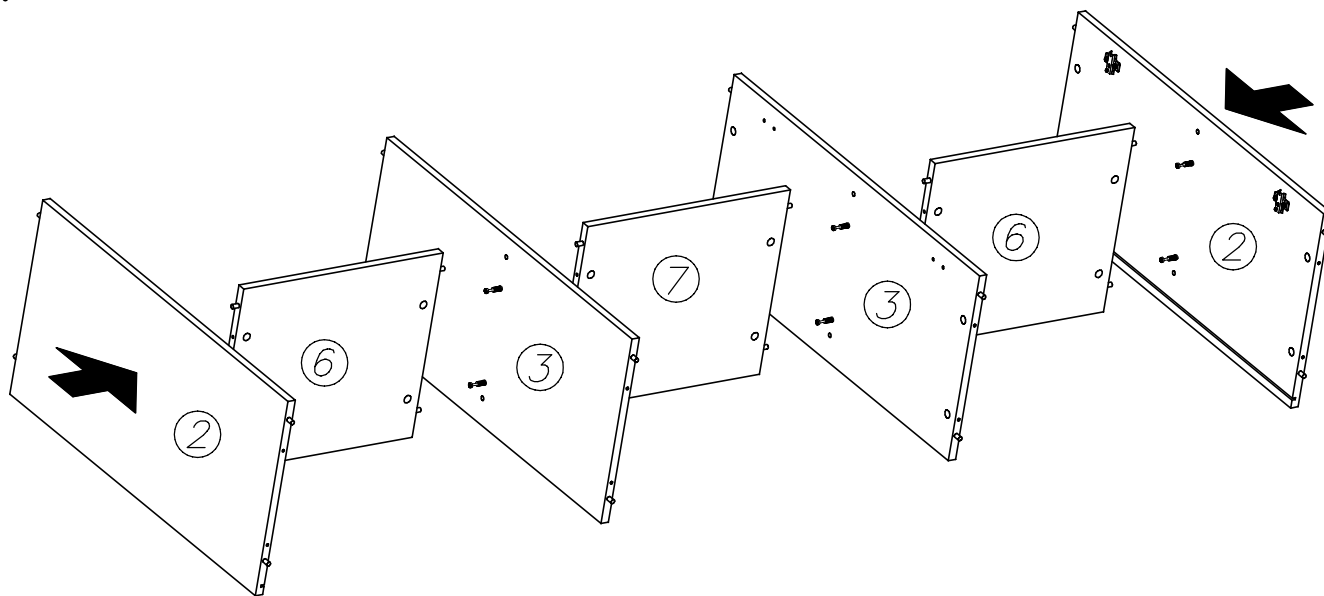


I

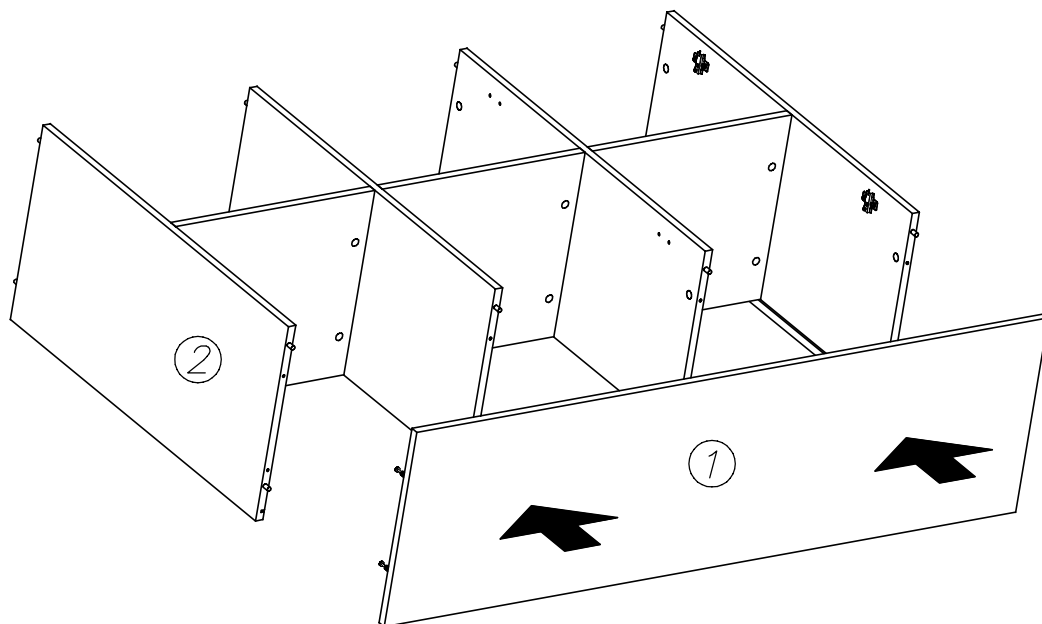


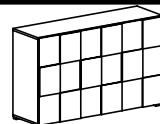


II

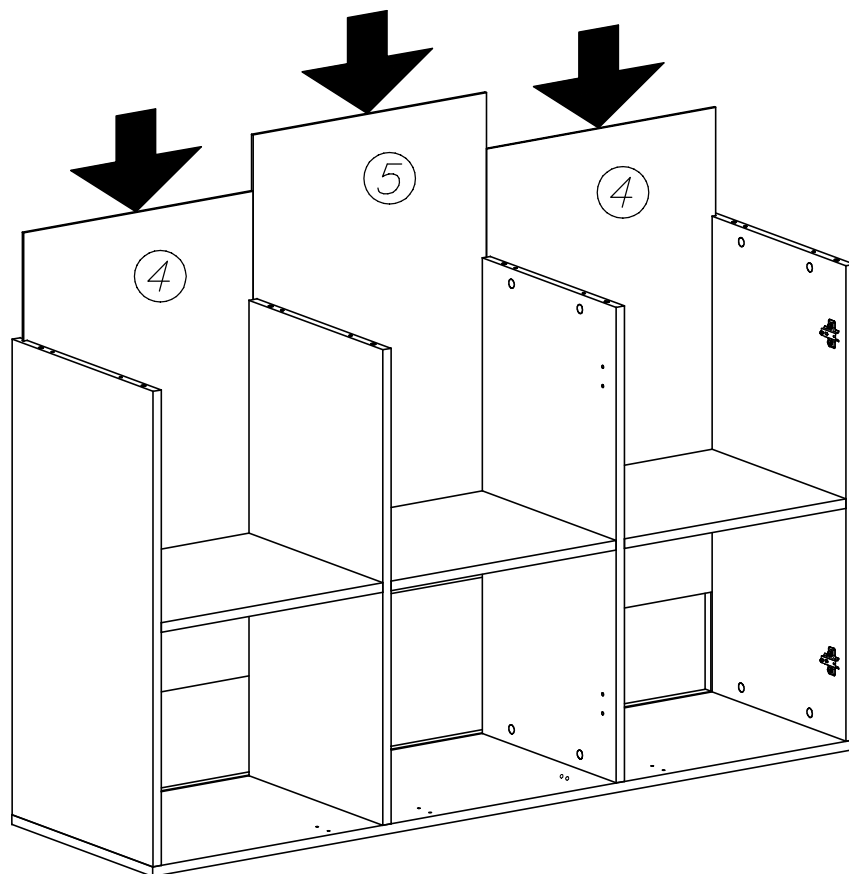


III

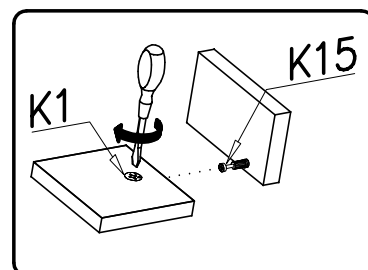
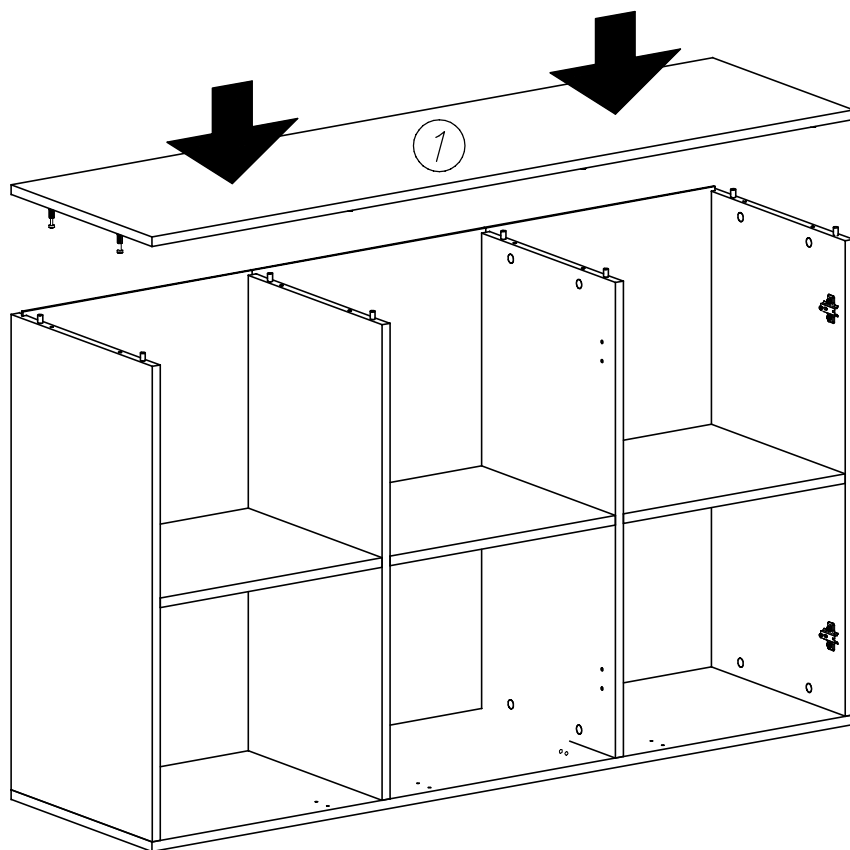


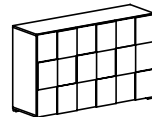


IV

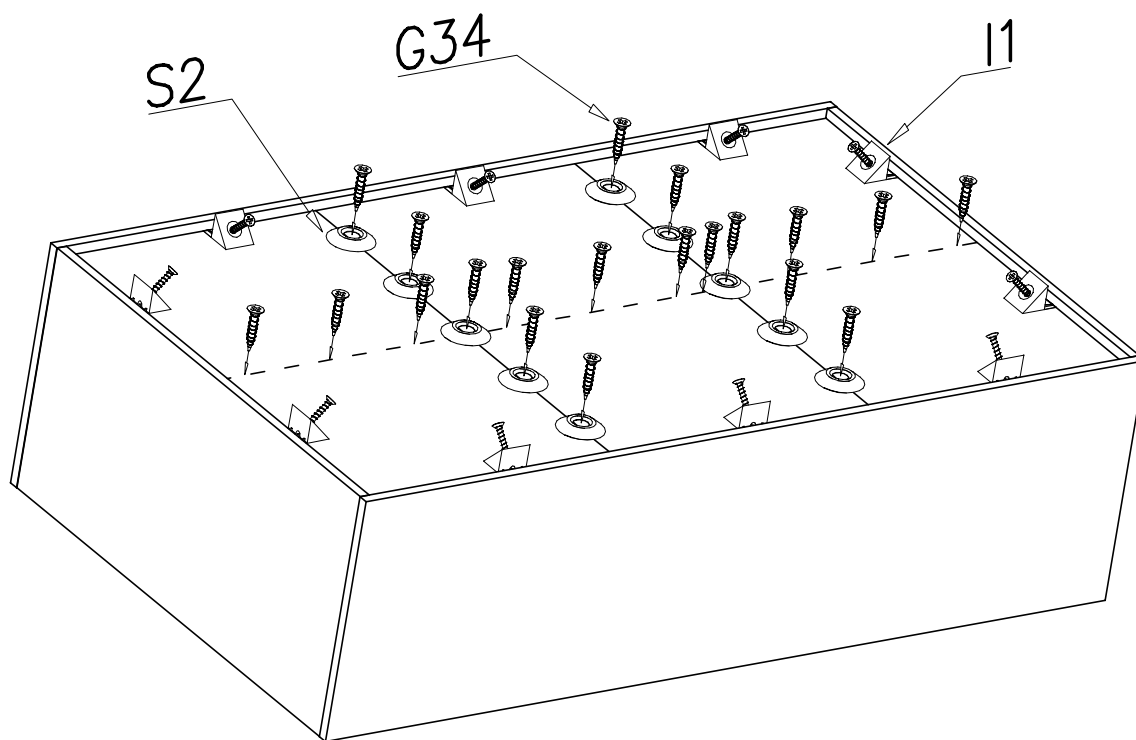
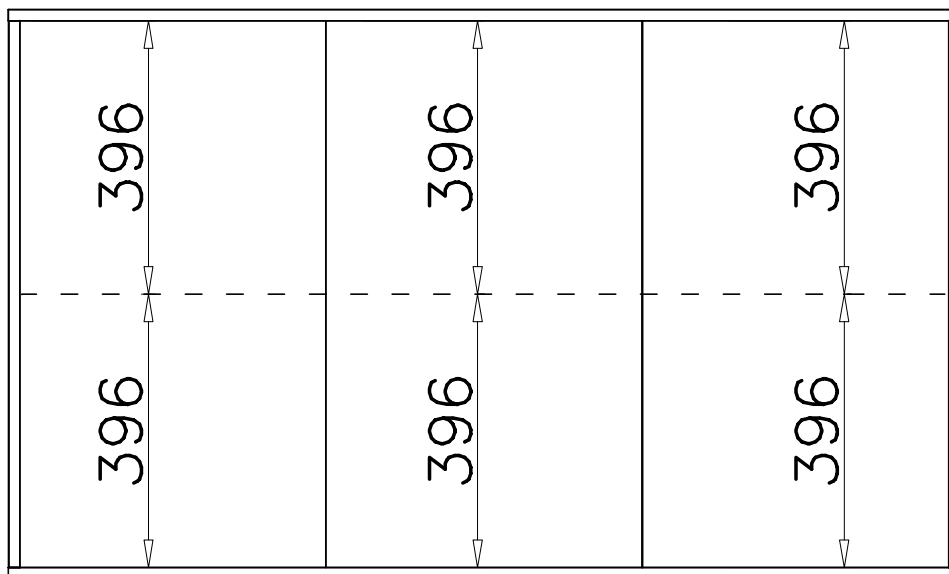


V

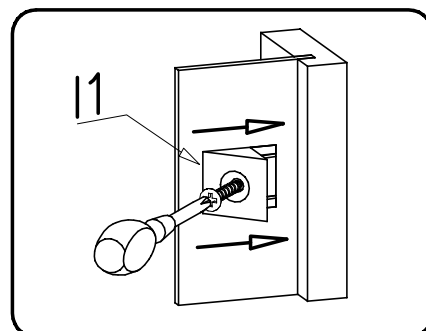
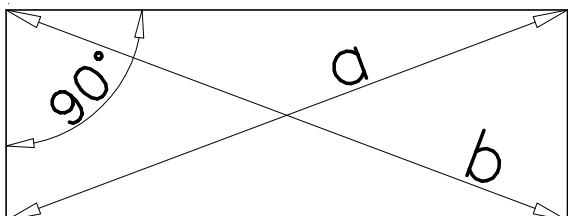


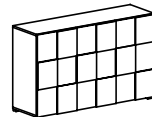


VI

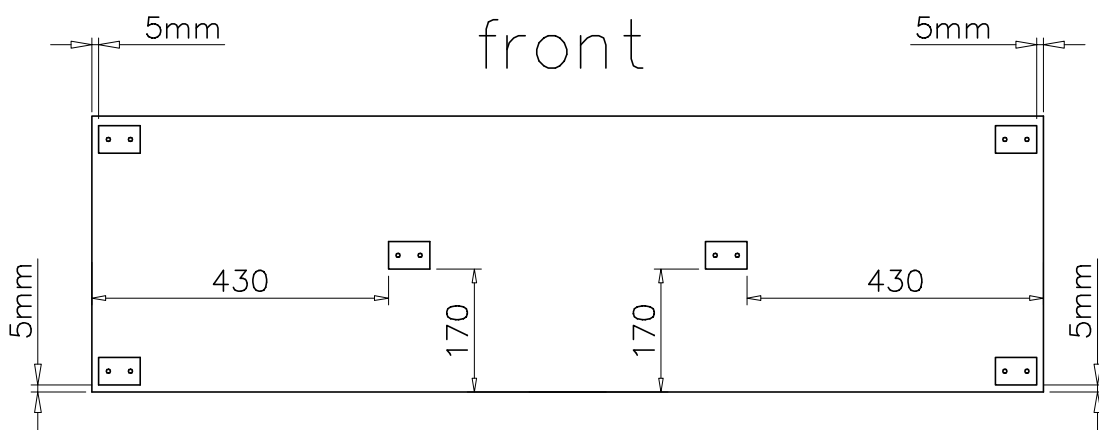
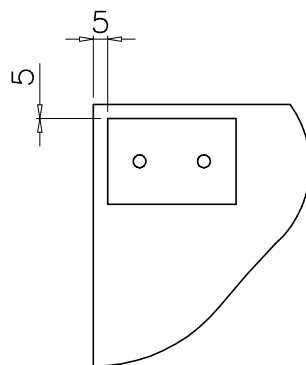
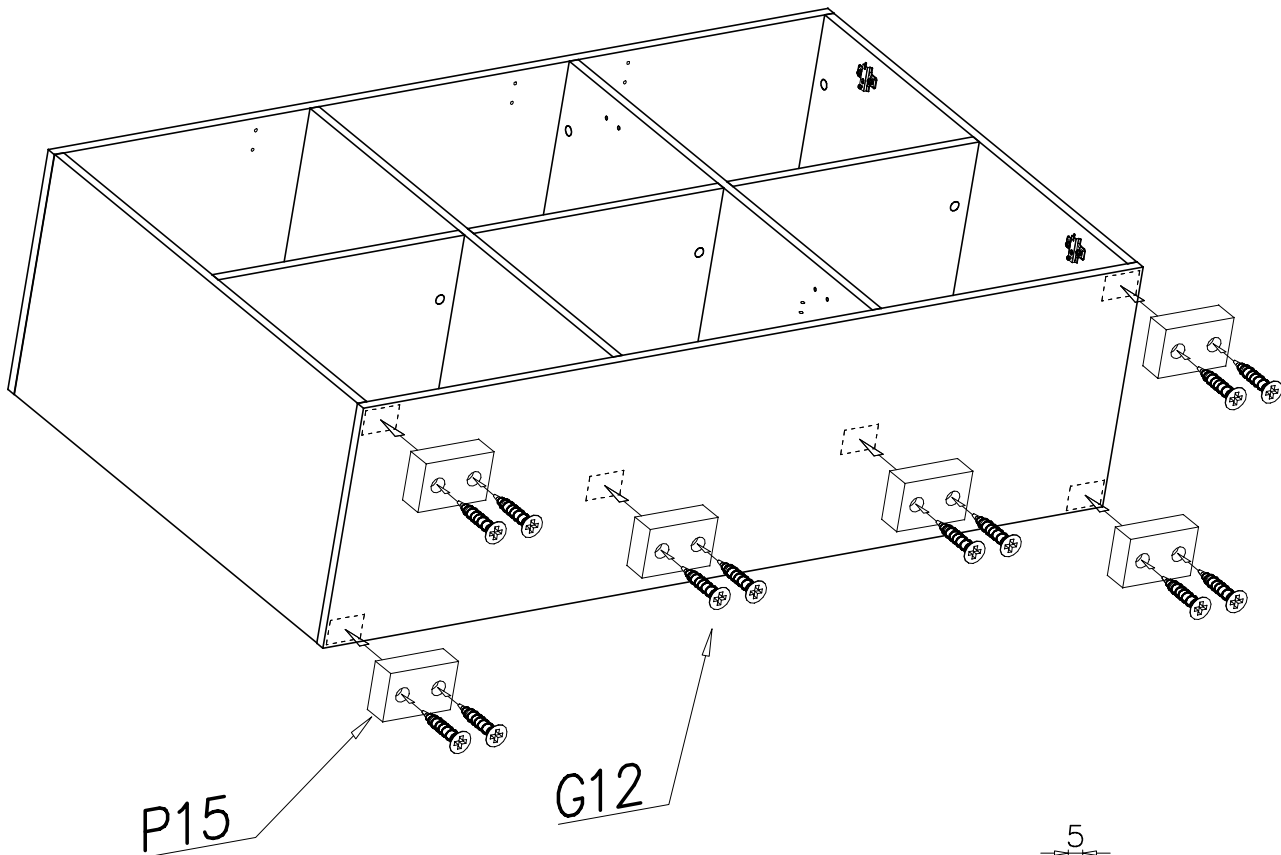


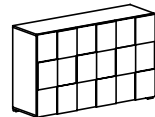
$$a = b$$





VII



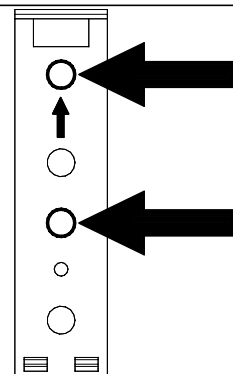
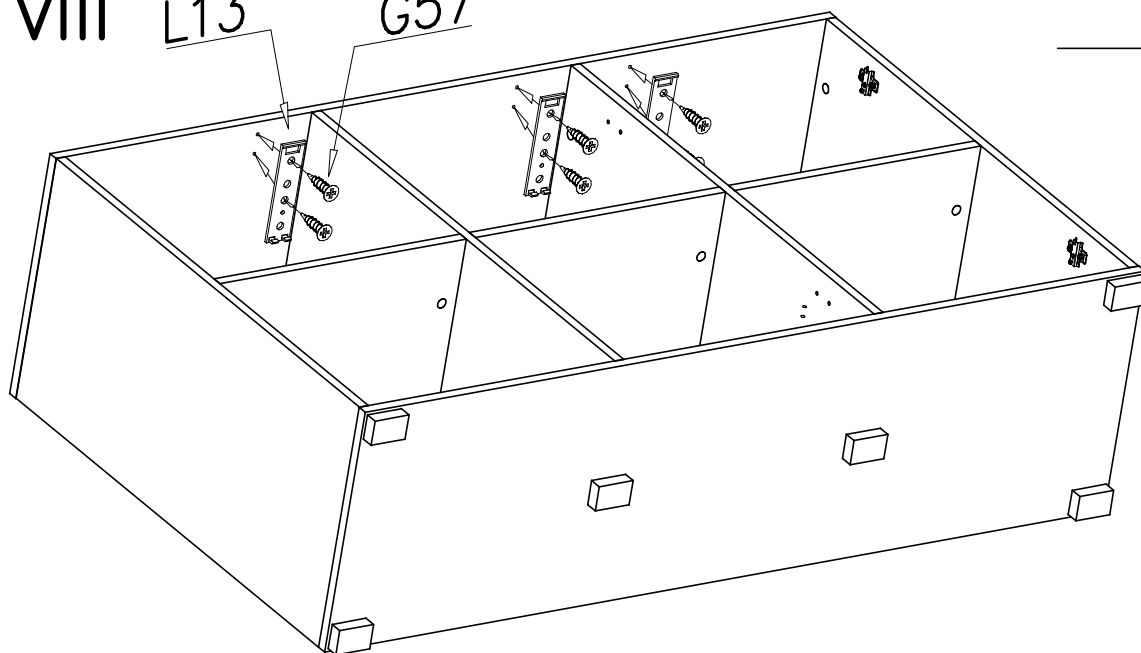


VIII

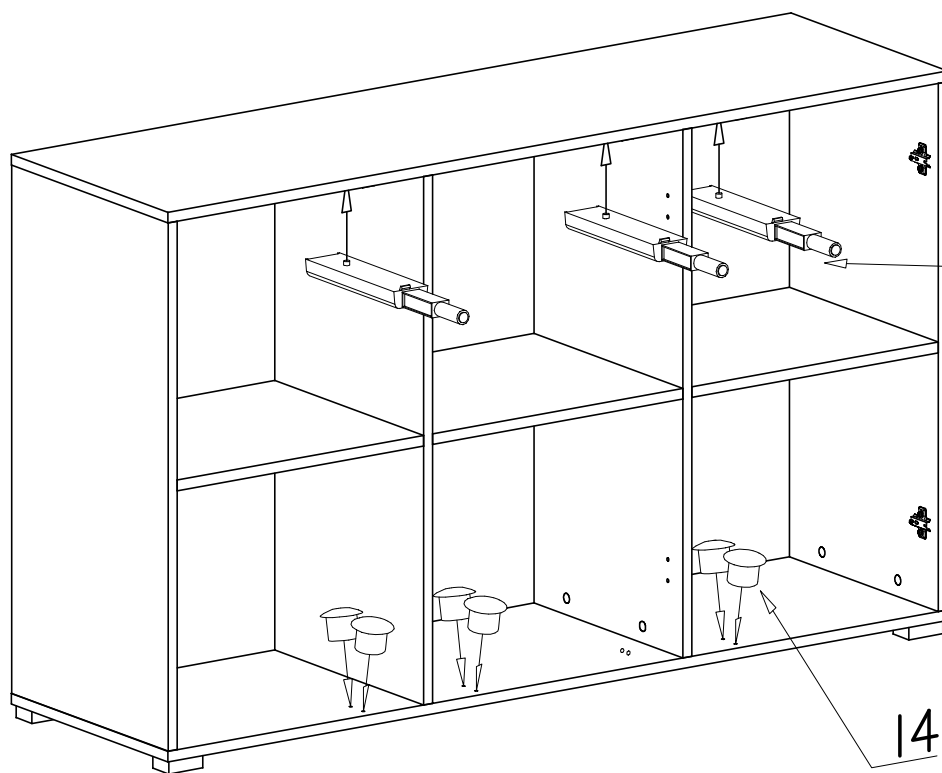
L13

G57

front



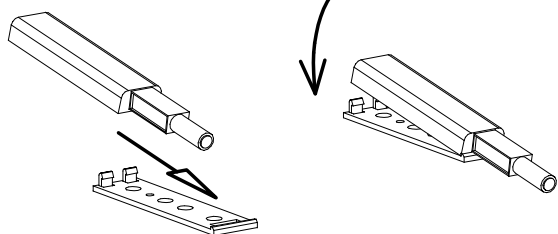
IX



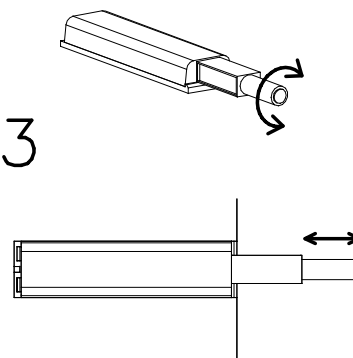
L13

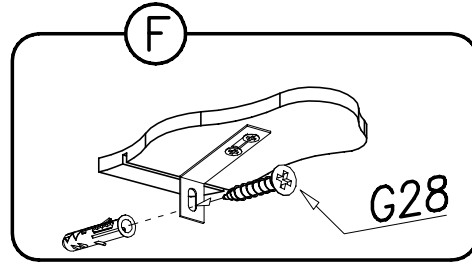
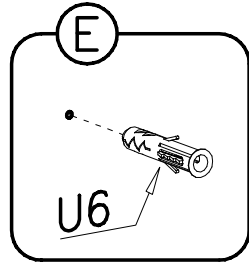
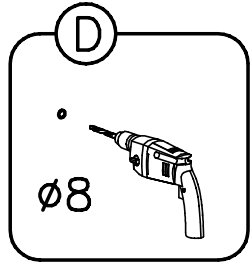
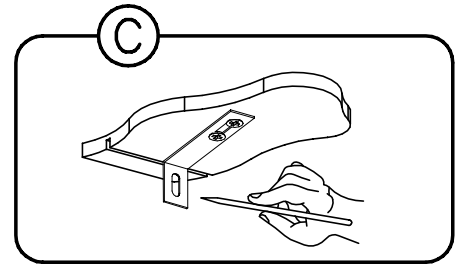
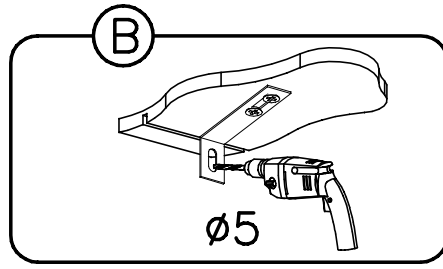
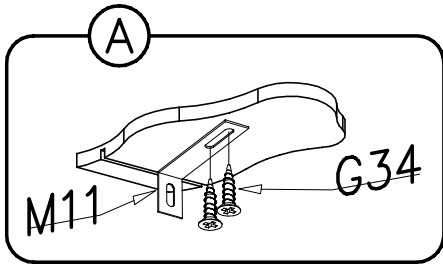
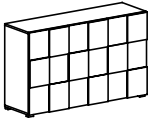
14

L13

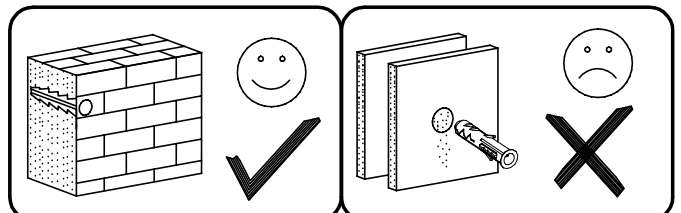
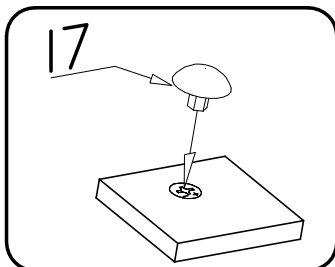
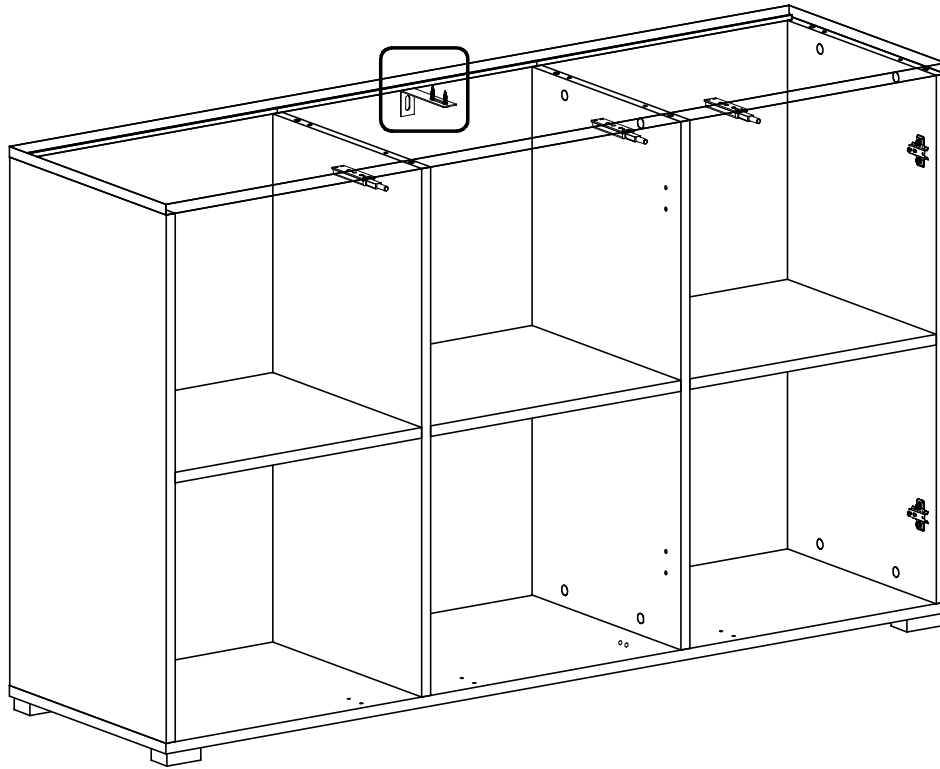


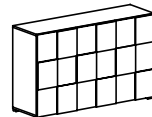
L13



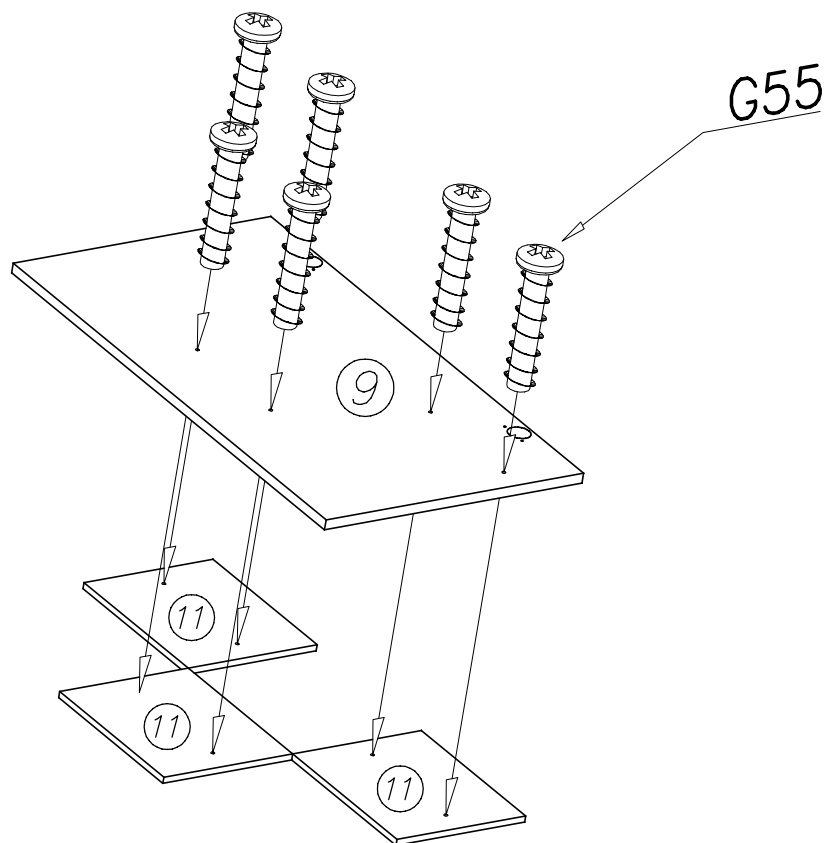
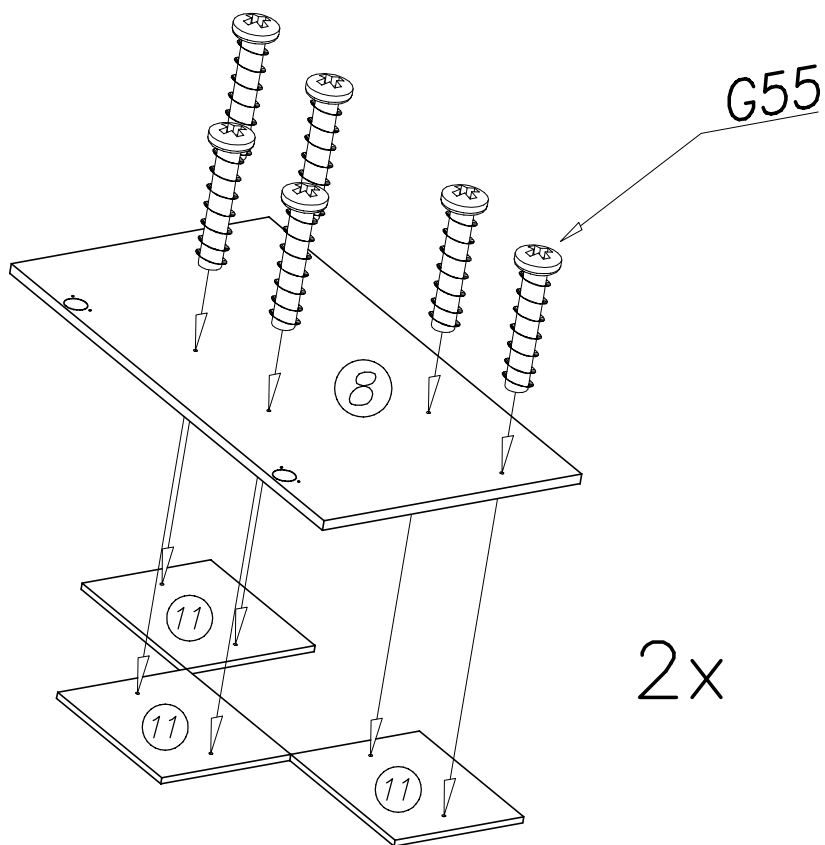


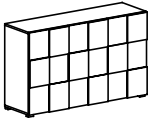
X



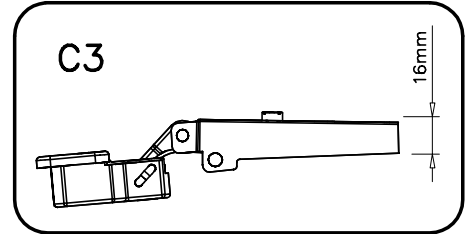
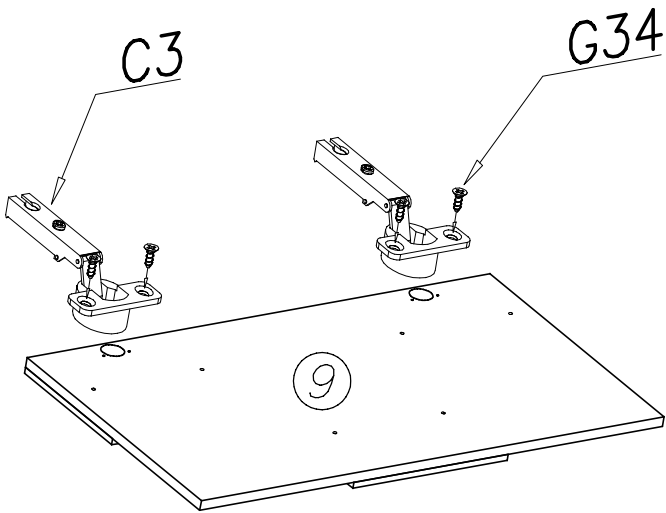
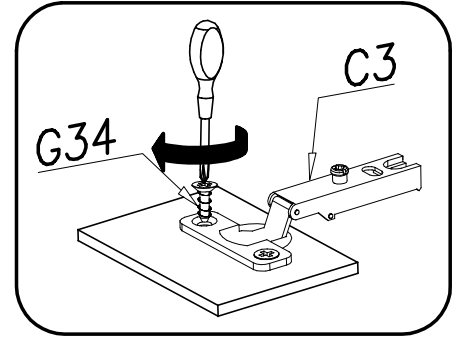
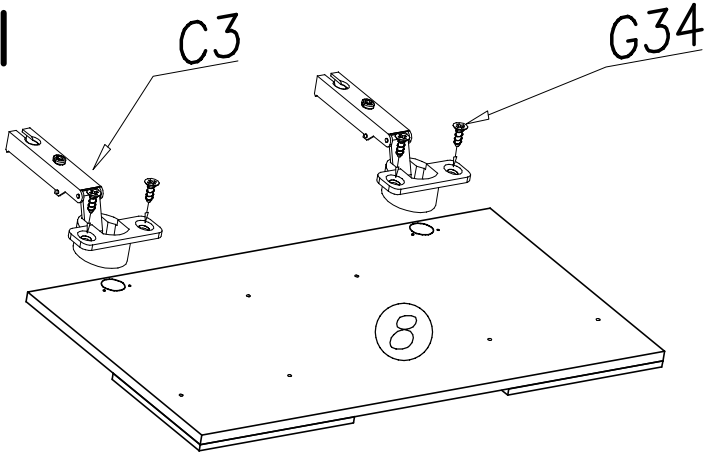


XI

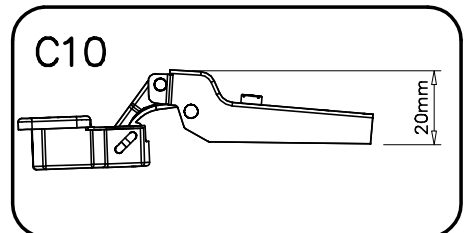
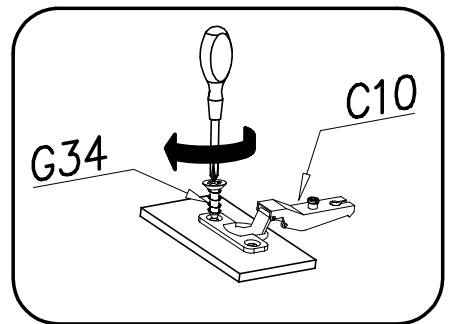
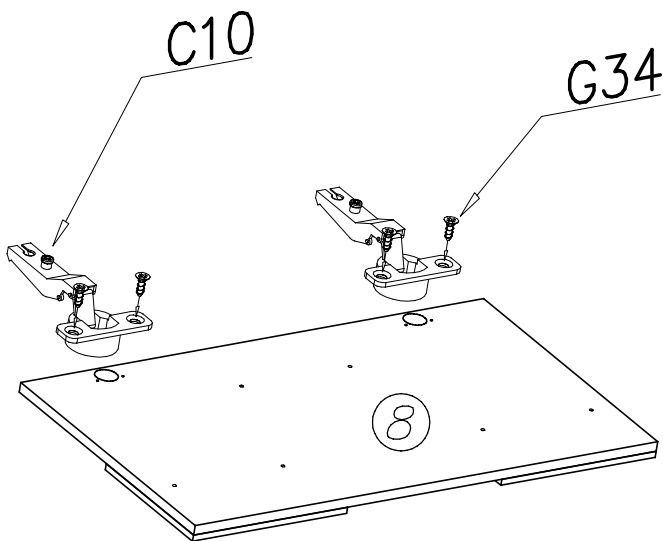


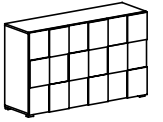


XII

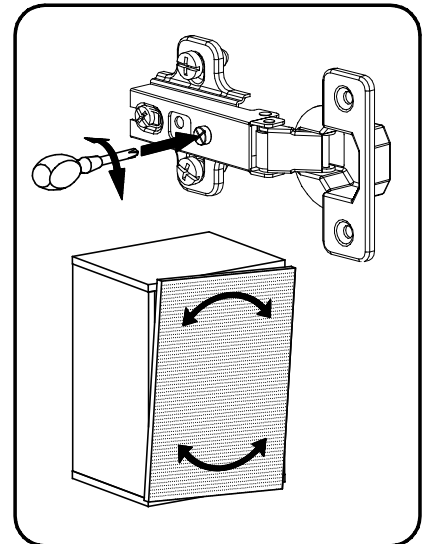
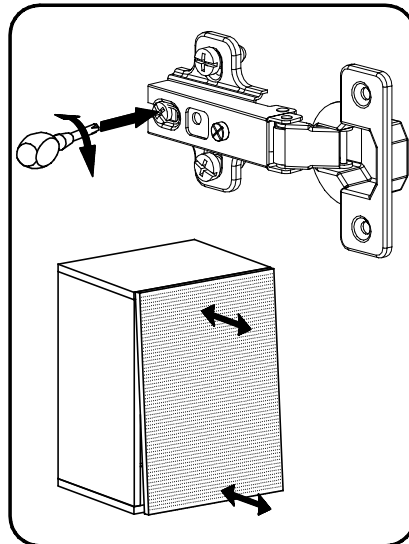
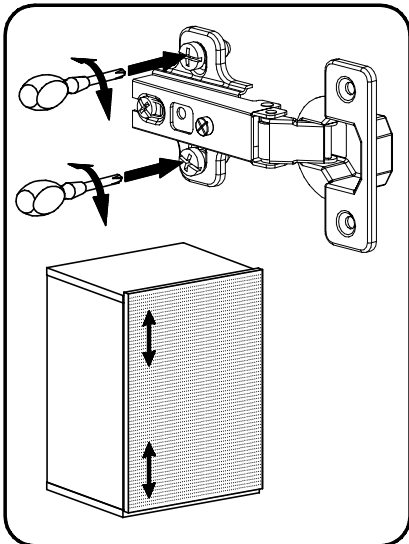
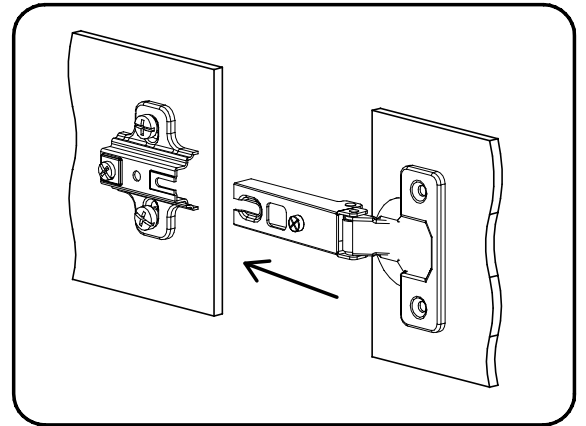
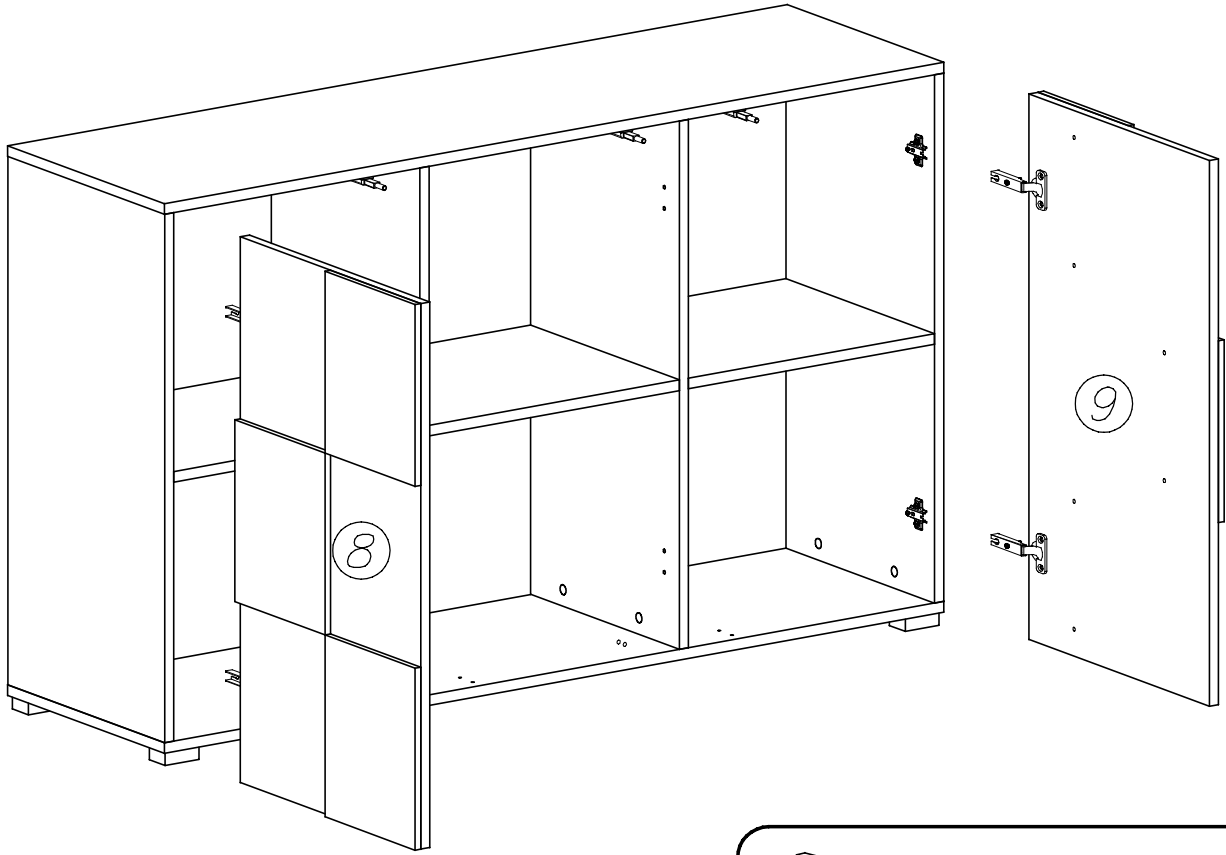


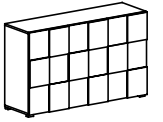
XIII





XIV





XV

