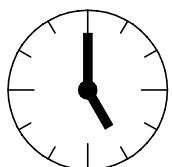
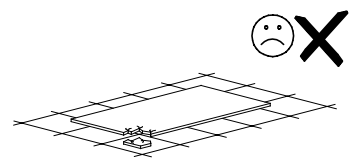
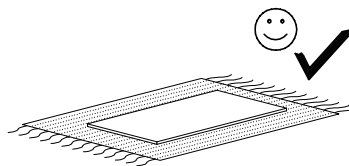
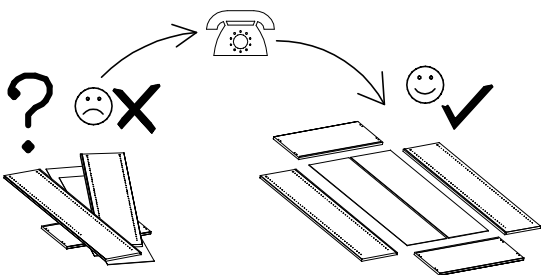
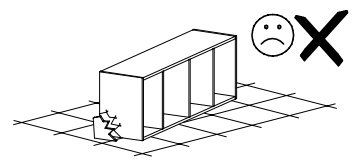
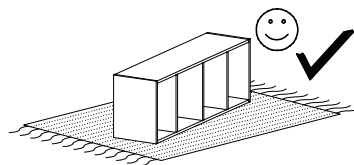
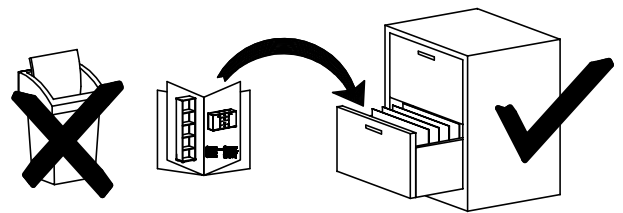
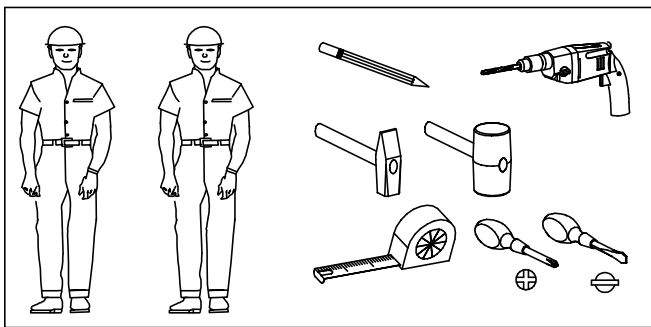
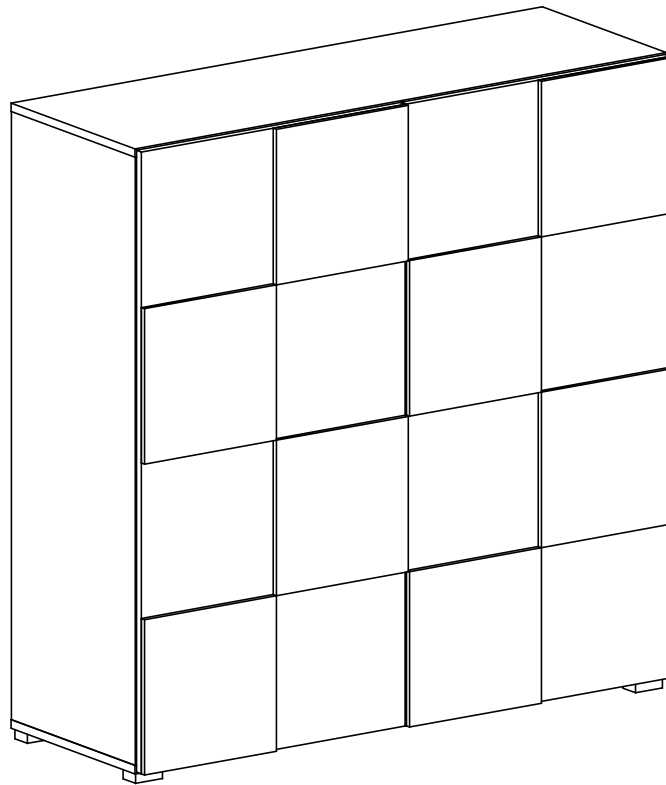
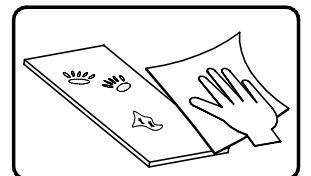
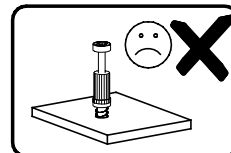
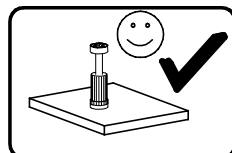
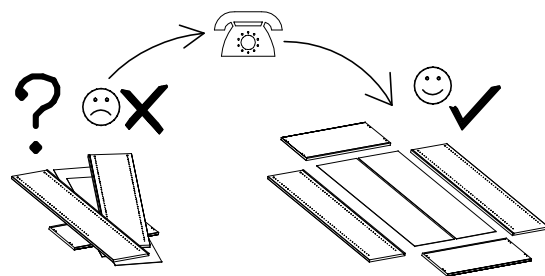
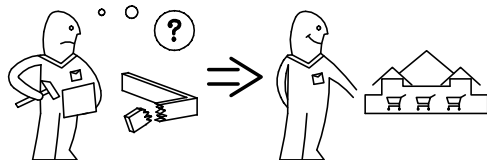
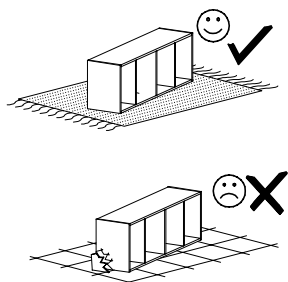


PATRIK 3



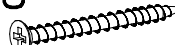
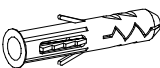

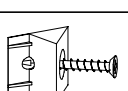
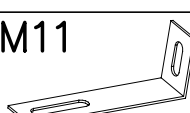

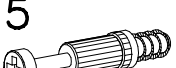
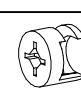
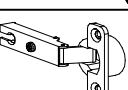
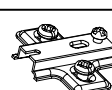
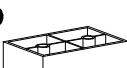
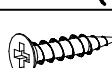
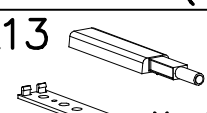

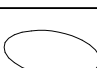
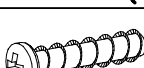

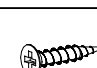
1,5h



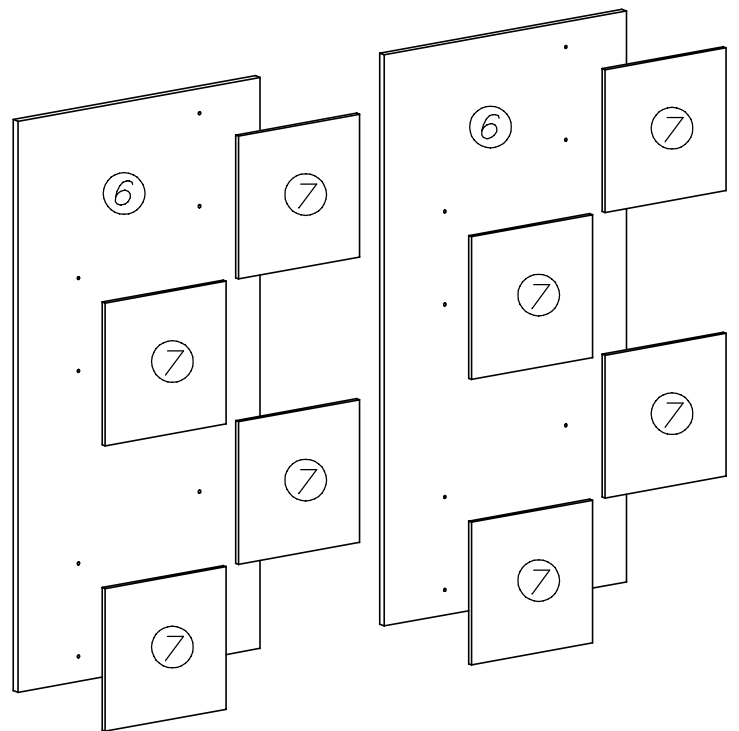
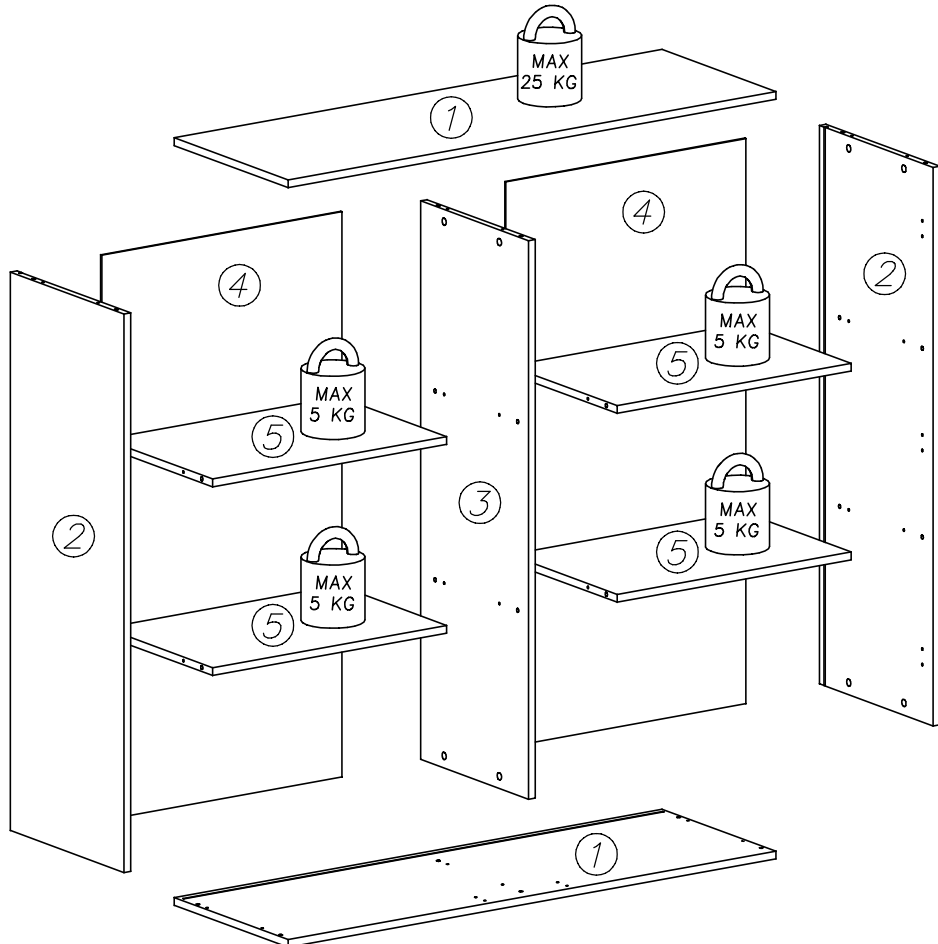
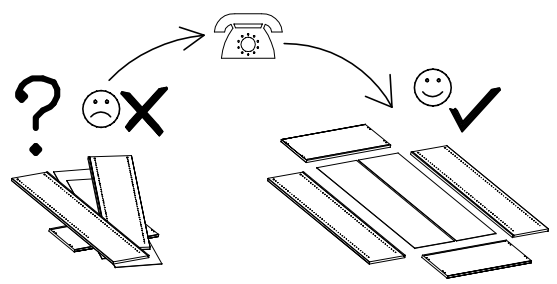
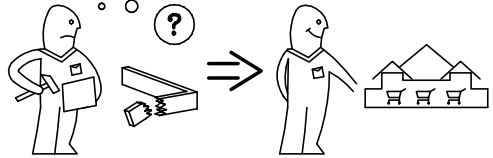
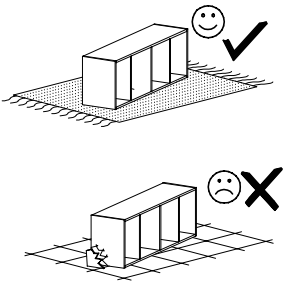


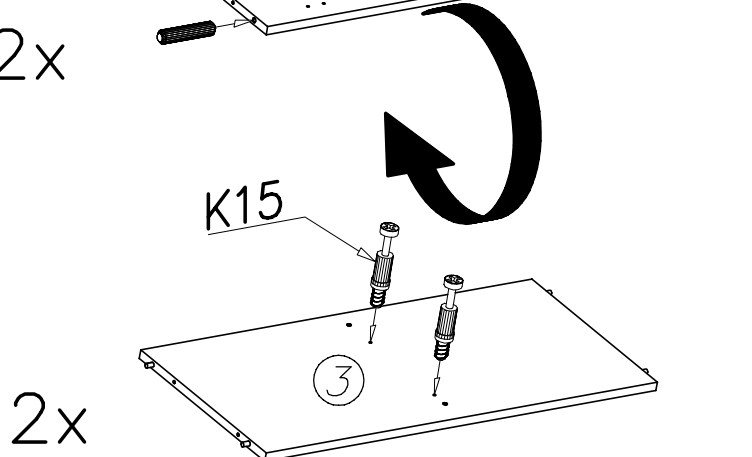
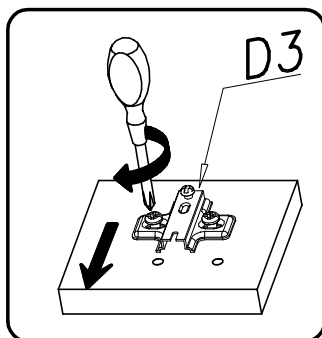
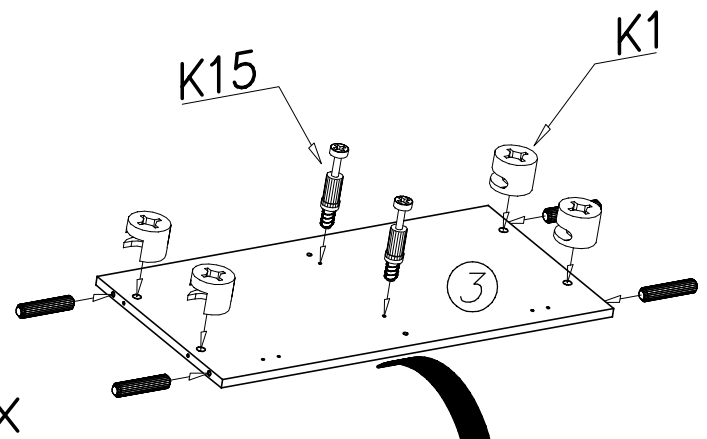
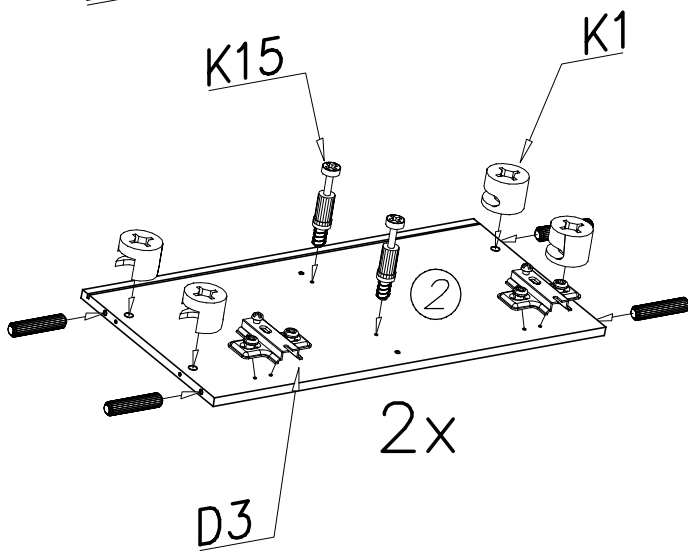
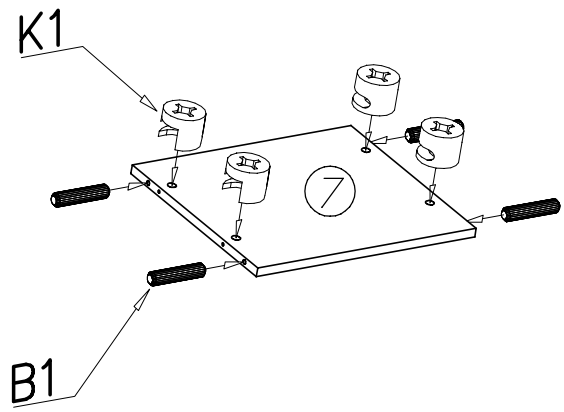
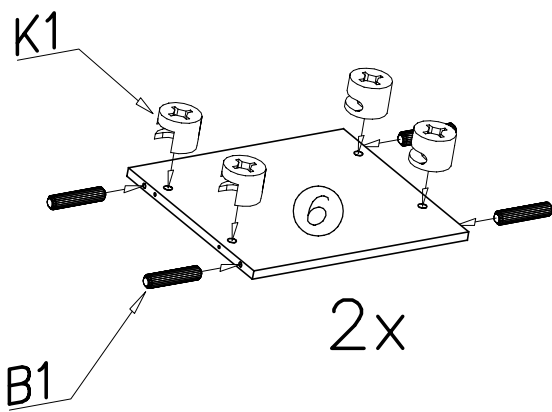
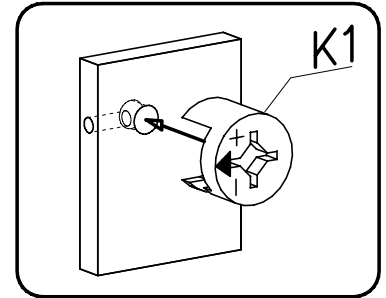
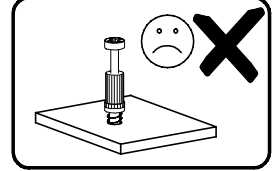
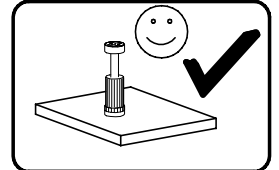
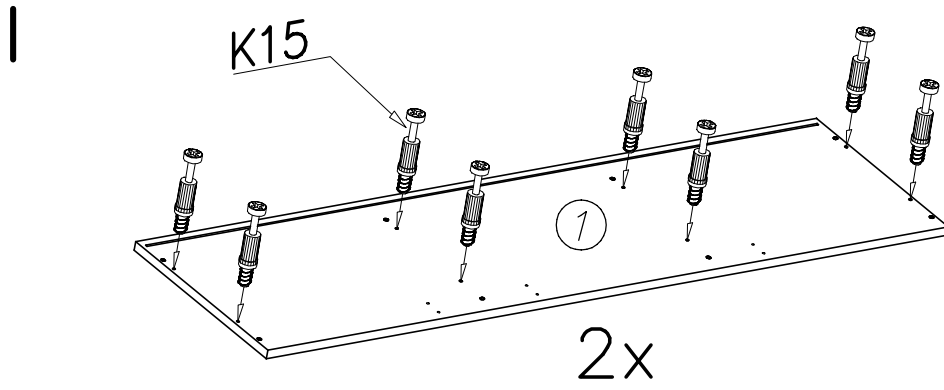
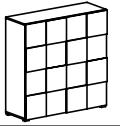
nr	L[mm]	B[mm]	T[mm]	Menge	Colli
1	1189	396	16	2	1/2
2	1154	396	16	2	1/2
3	1154	376	16	2	2/2
4	1166	584	3	2	2/2
5	570	376	16	4	1/2
6	1180	590	16	2	2/2
7	295	295	10	8	2/2

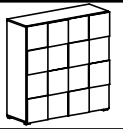


			G28  4x60 x...(1)	U6  ø8x40 x...(1)	I4  ø5 x...(4)
I1  x...(10)	M11  x...(1)	G12  4x25 x...(10)	K15  x...(28)	K1  ø15x12 x...(28)	
C3  Z35PR x...(6)	D3  PZ35PR x...(6)	P15  x...(5)	G34  3,5x16 x...(42)	L13  x...(2)	
B1  ø8x35 x...(28)	I7  x...(28)	G55  6x22 x...(16)	S2  x...(10)	G57  3,5x16 x...(4)	

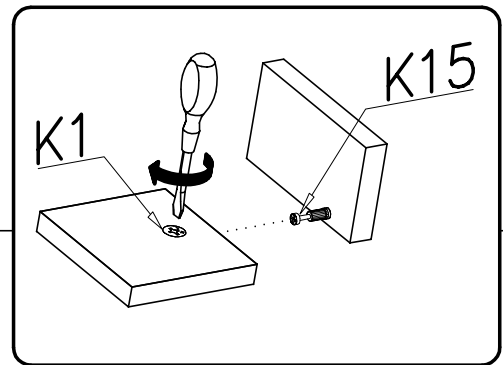
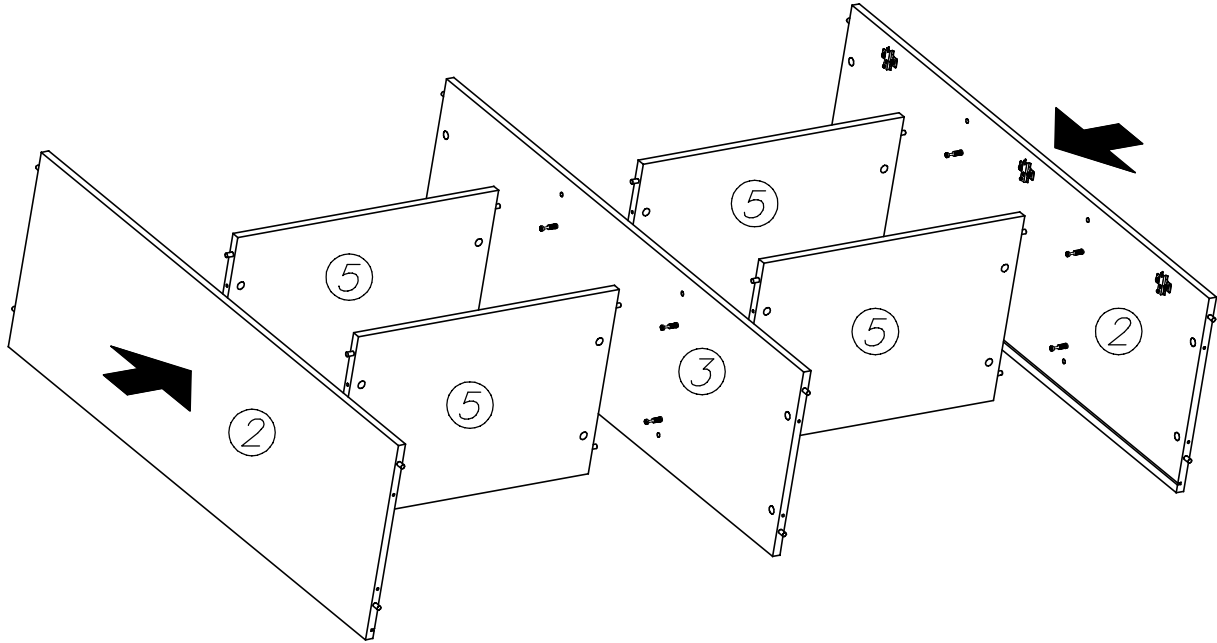
PATRIK 3



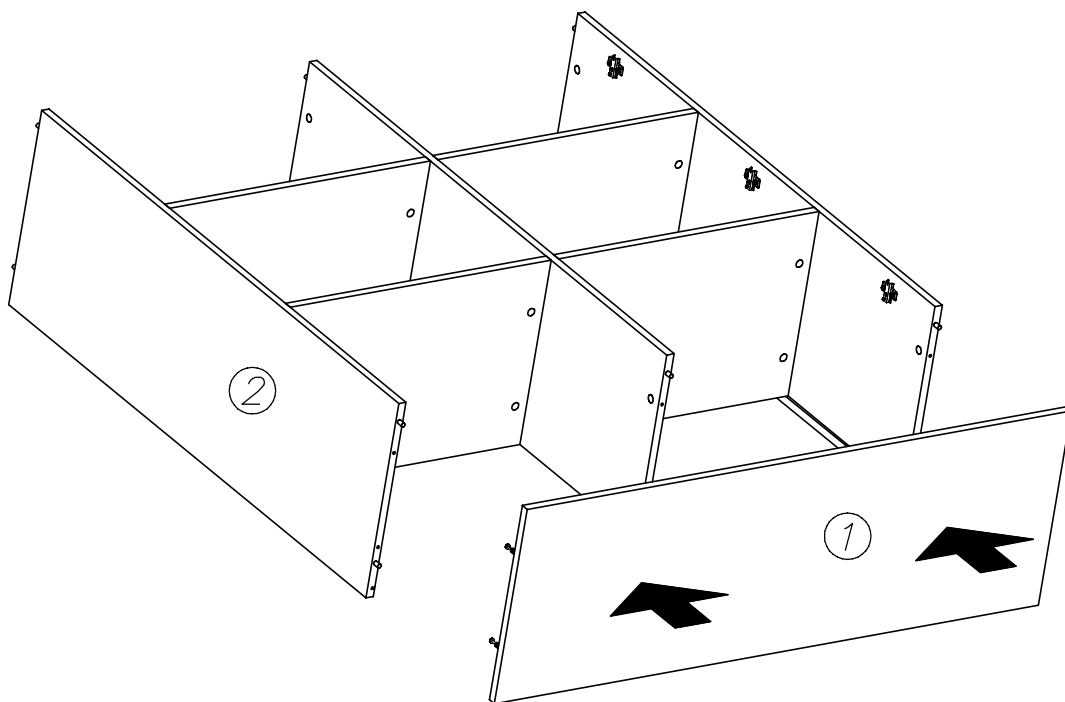


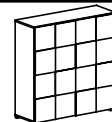


II

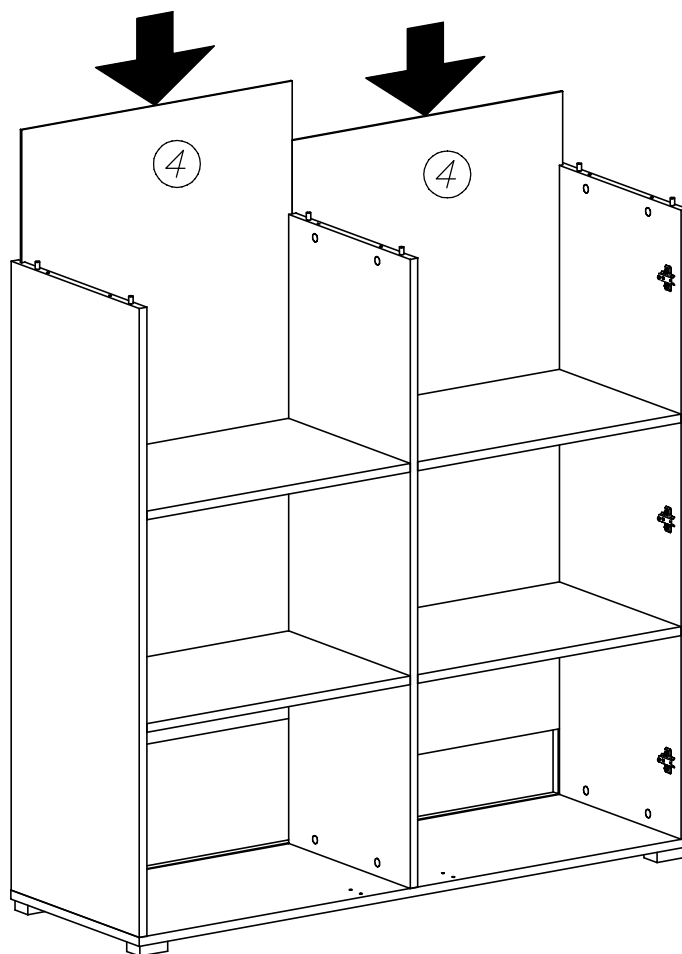


III

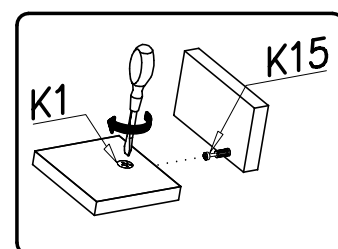
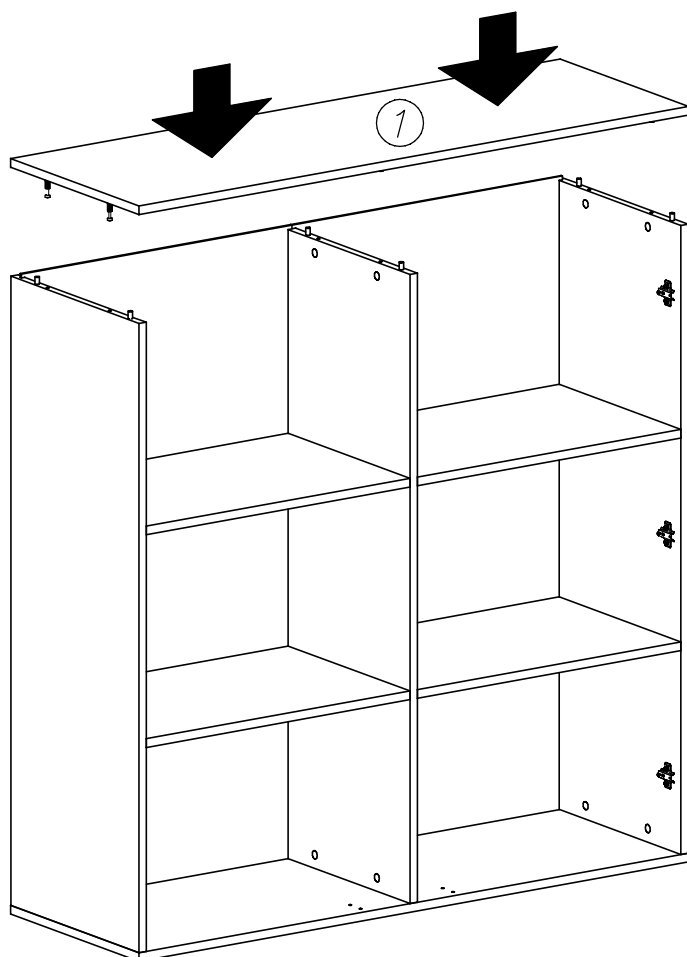


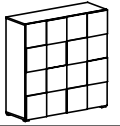


IV



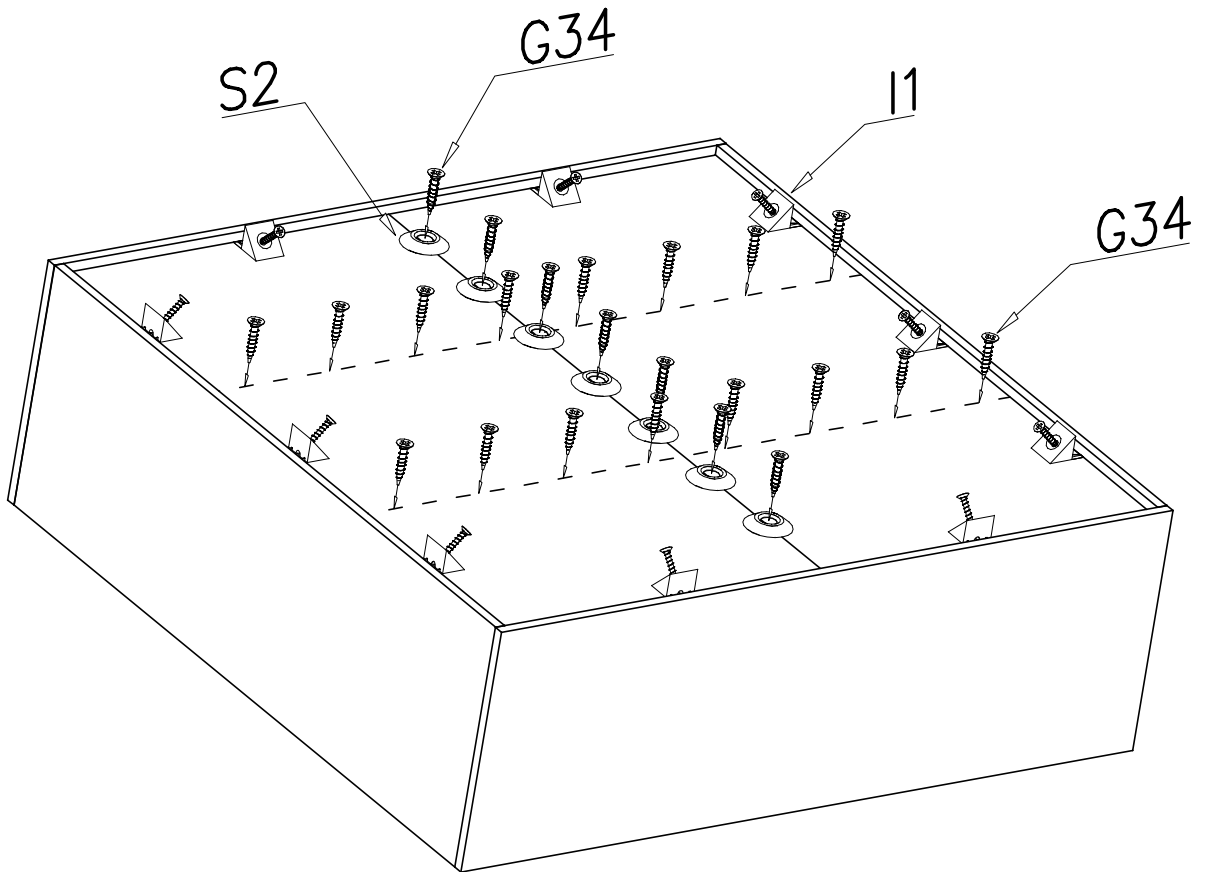
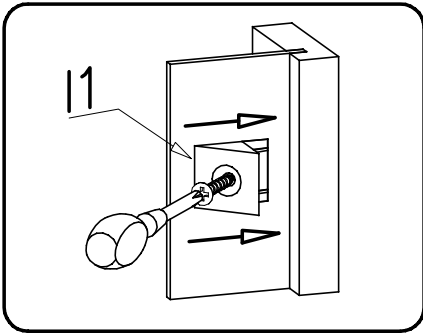
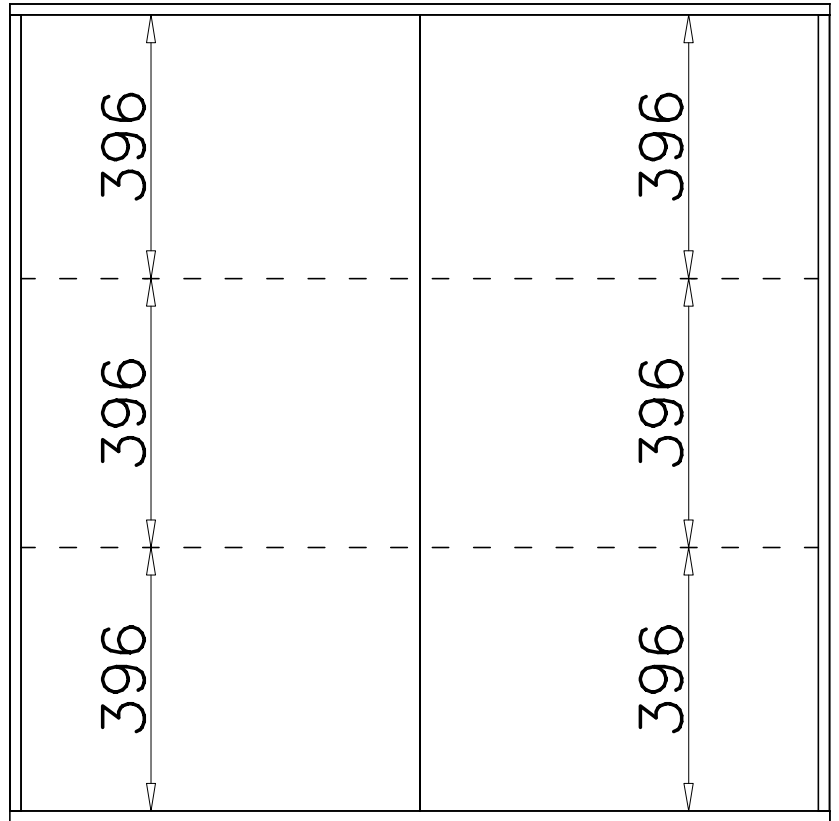
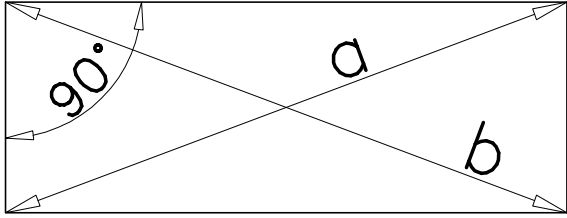
V

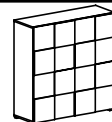




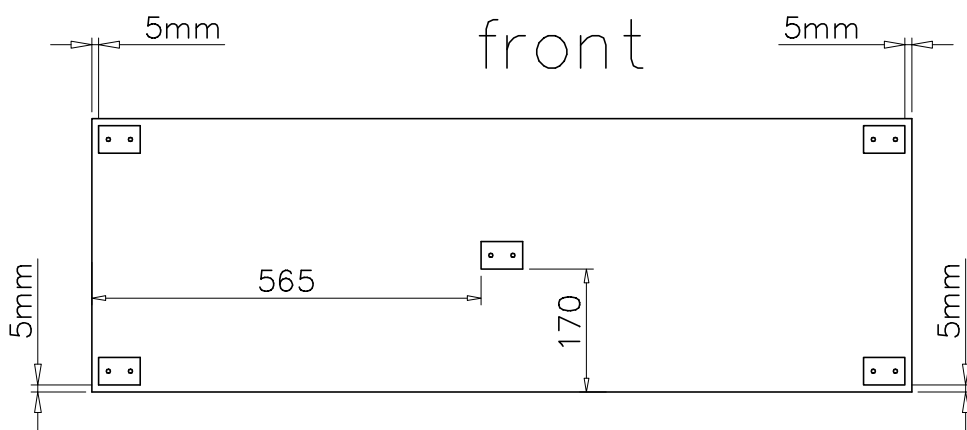
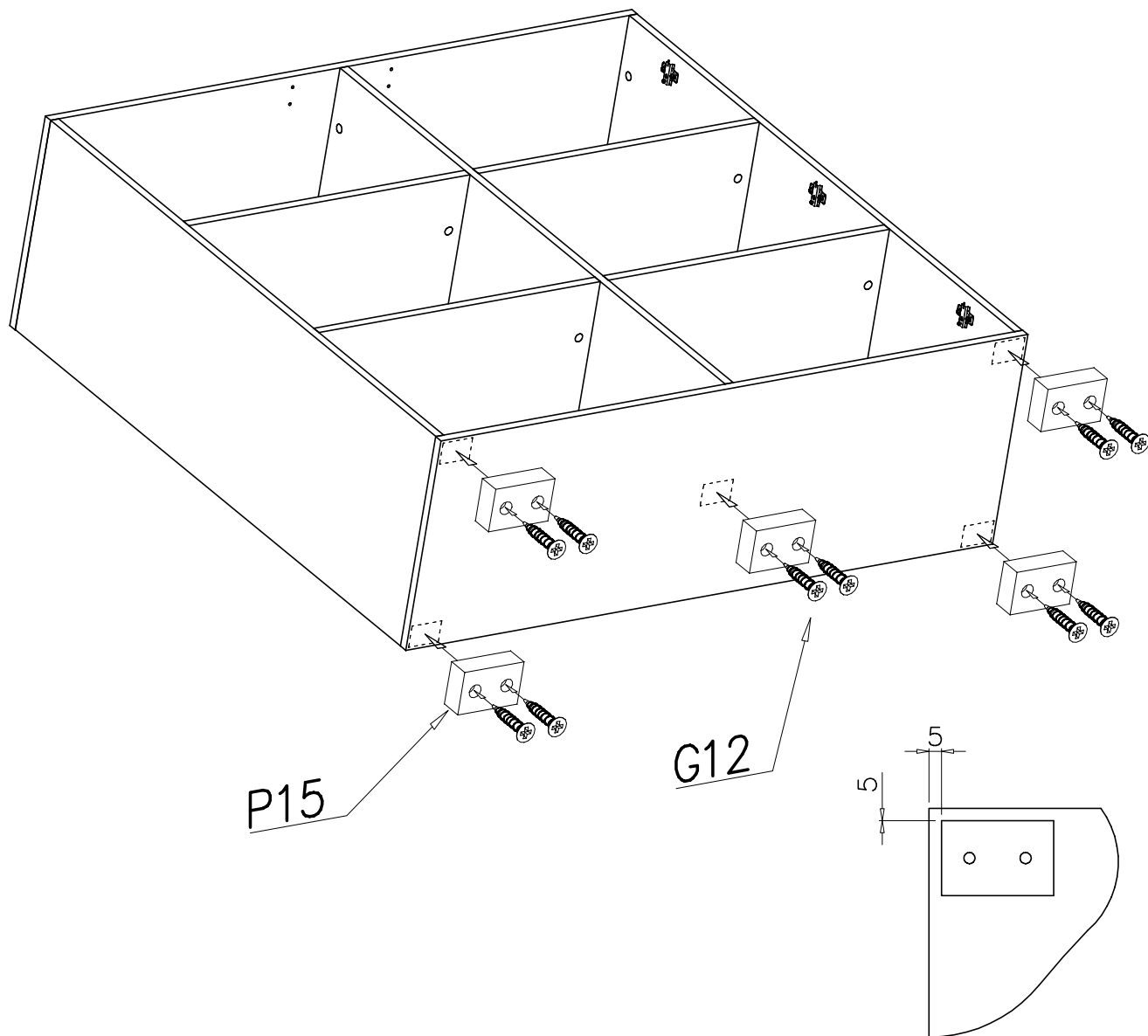
VI

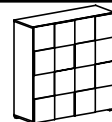
$$a = b$$



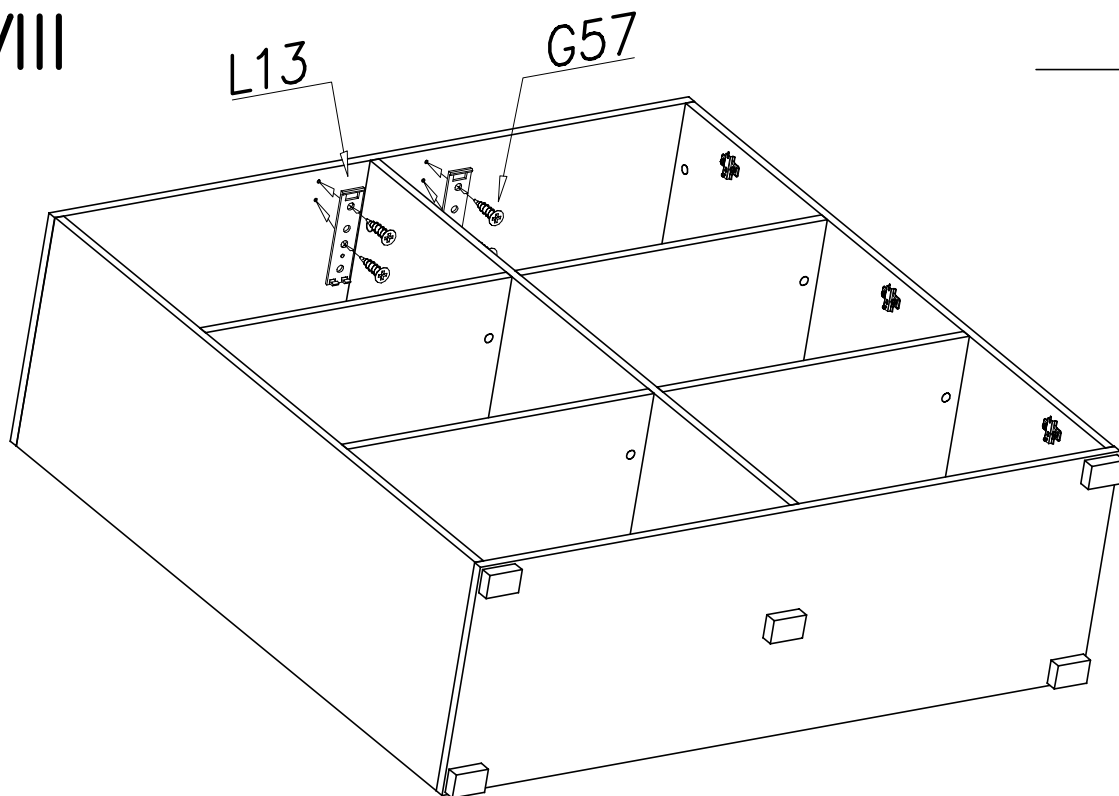


VII

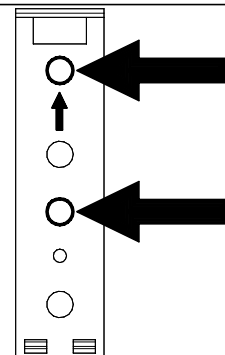




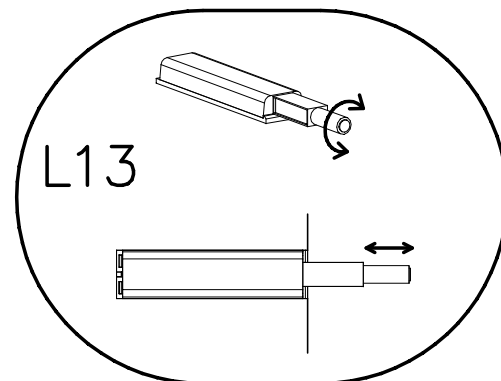
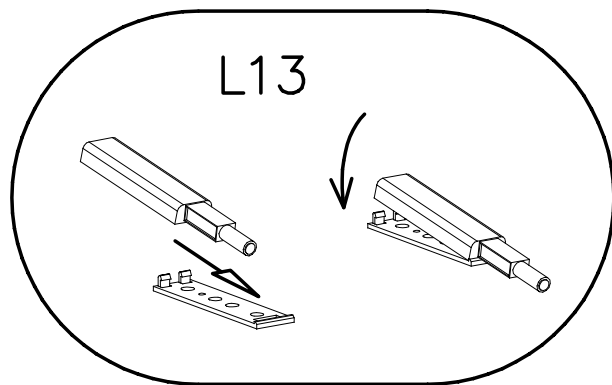
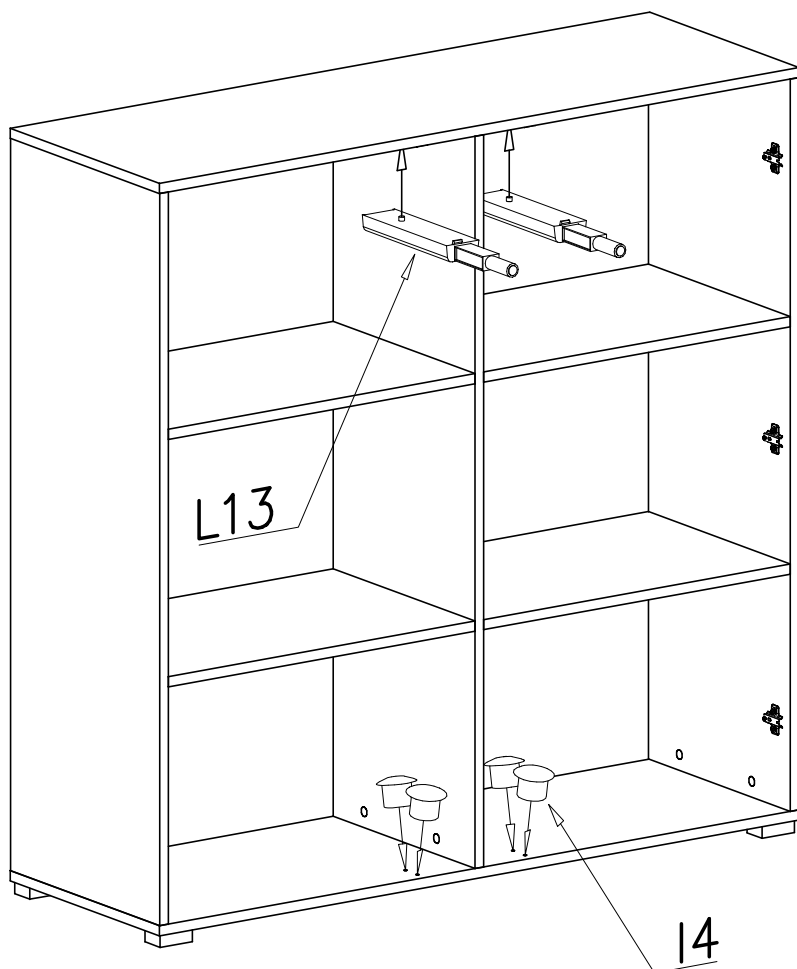
VIII

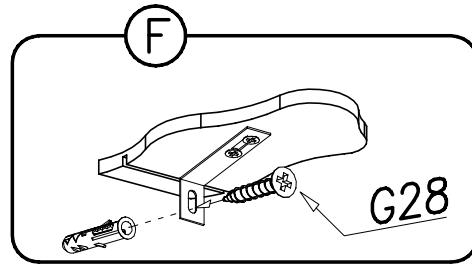
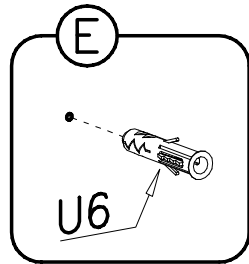
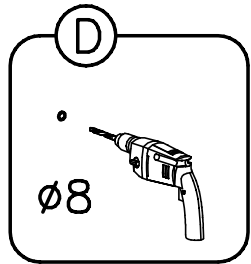
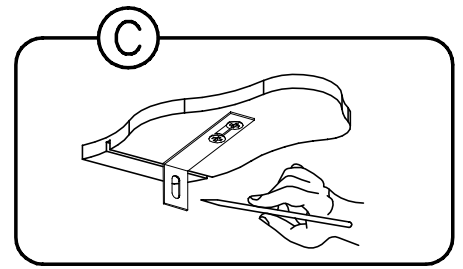
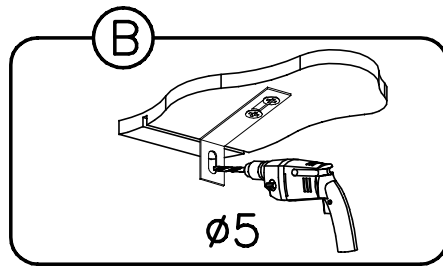
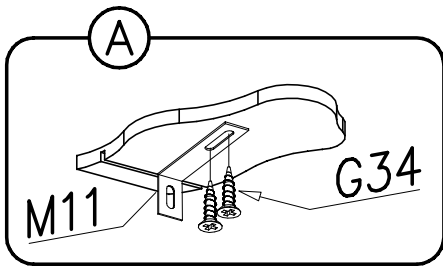
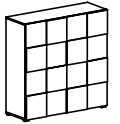


front

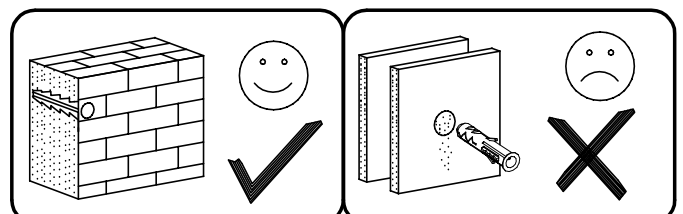
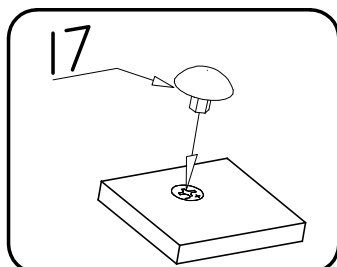
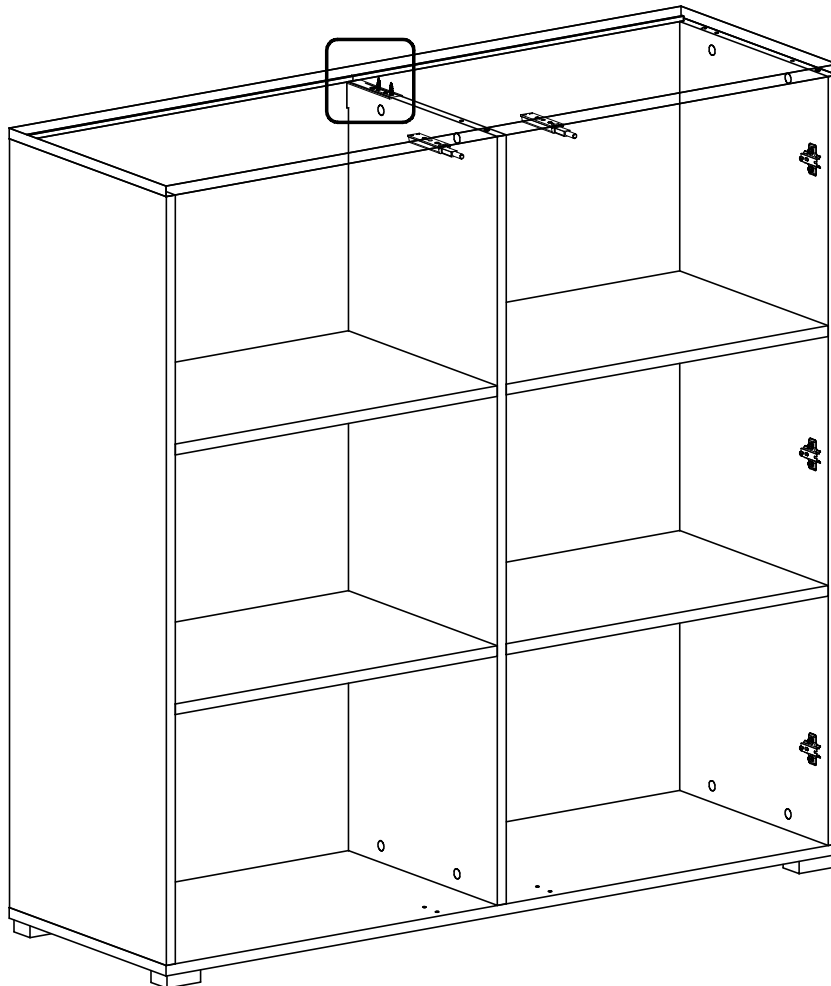


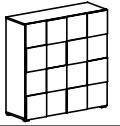
IX



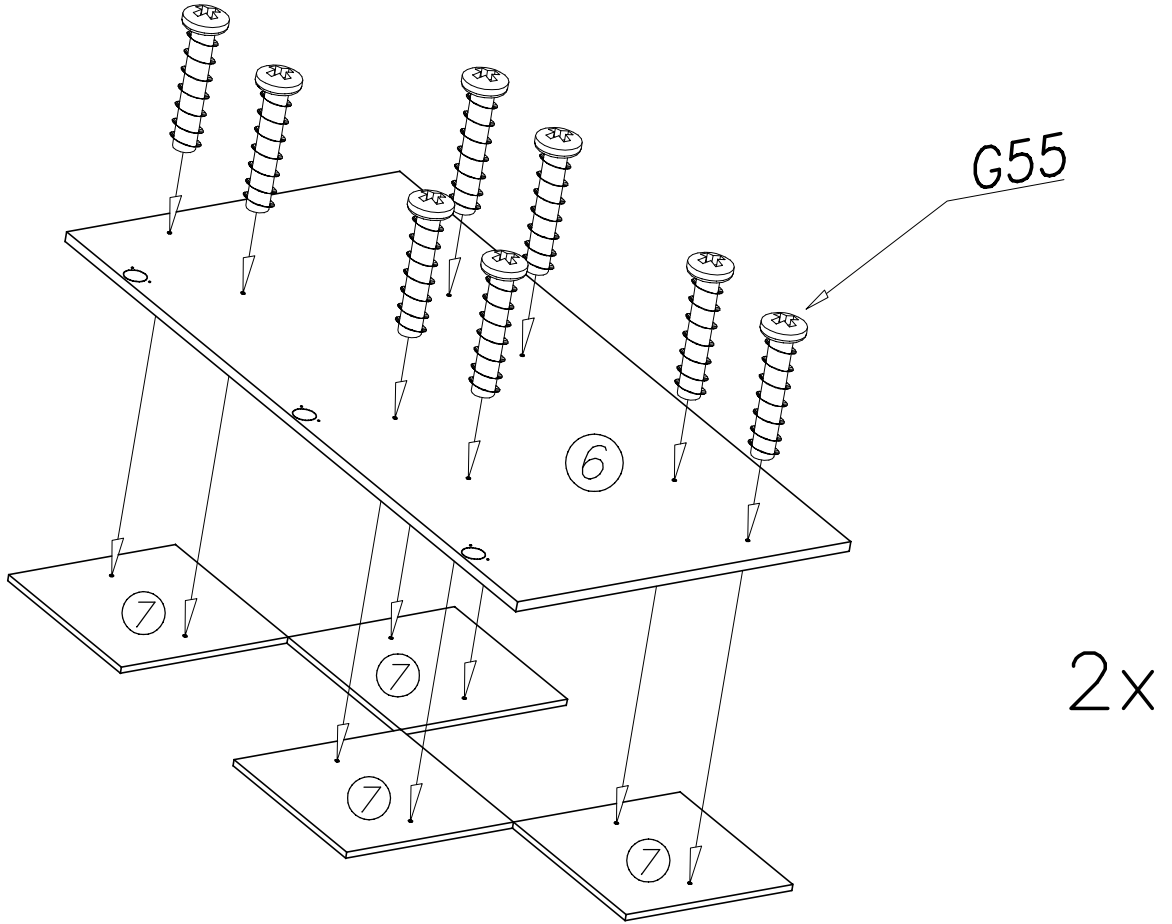


X

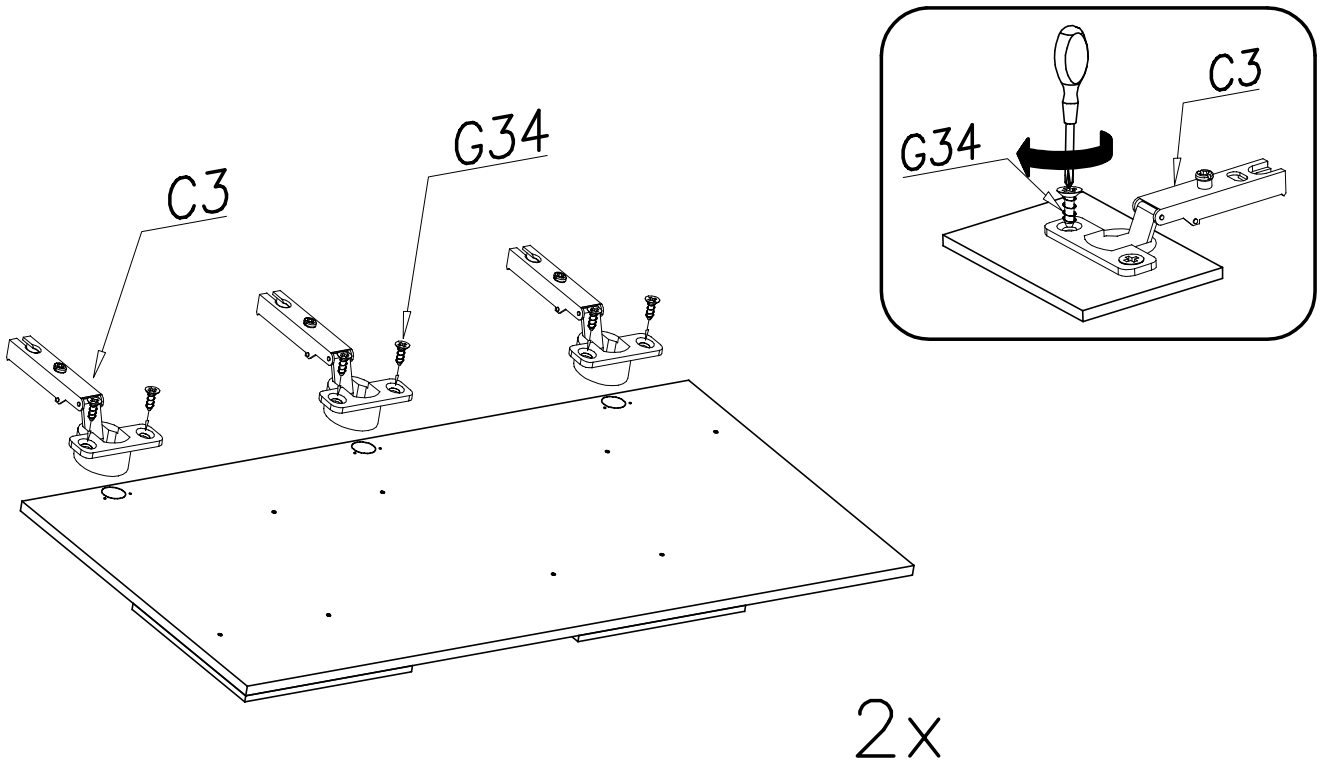


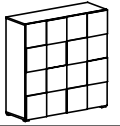


XI



XII





XIII

