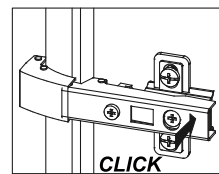
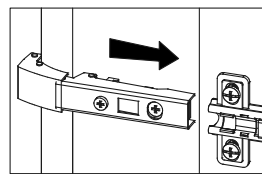
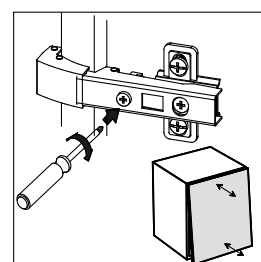
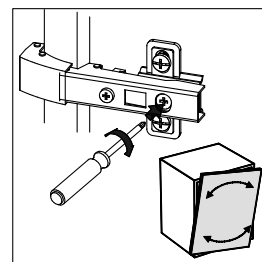
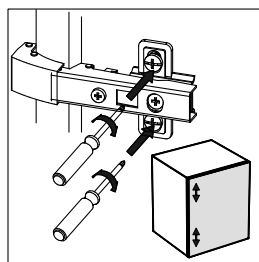
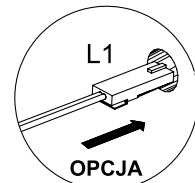
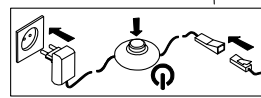
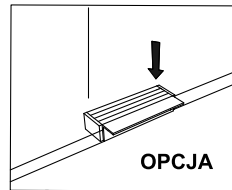
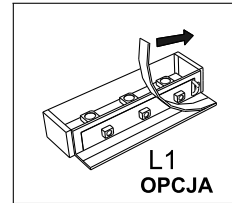
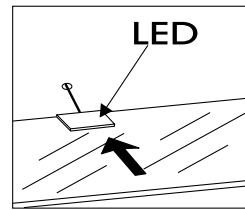
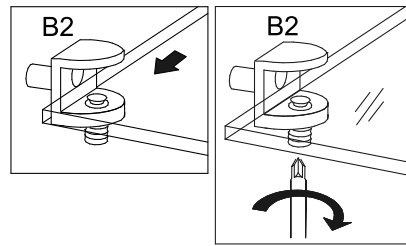
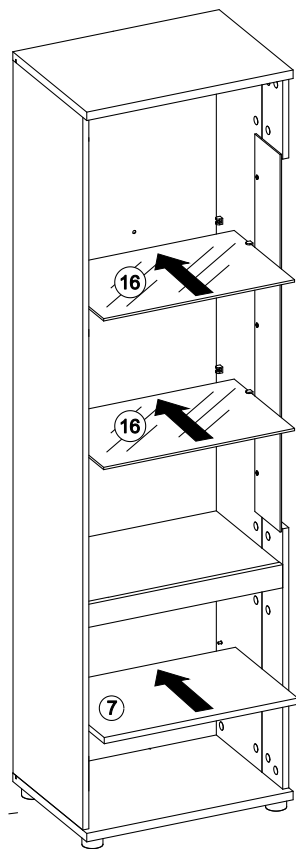
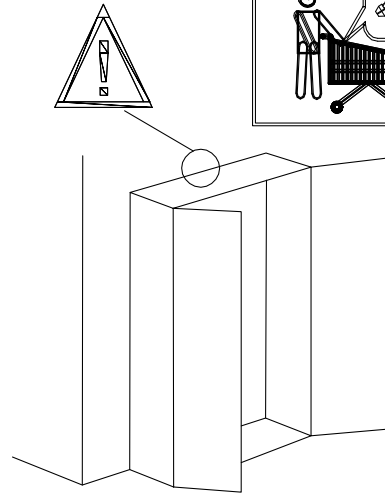
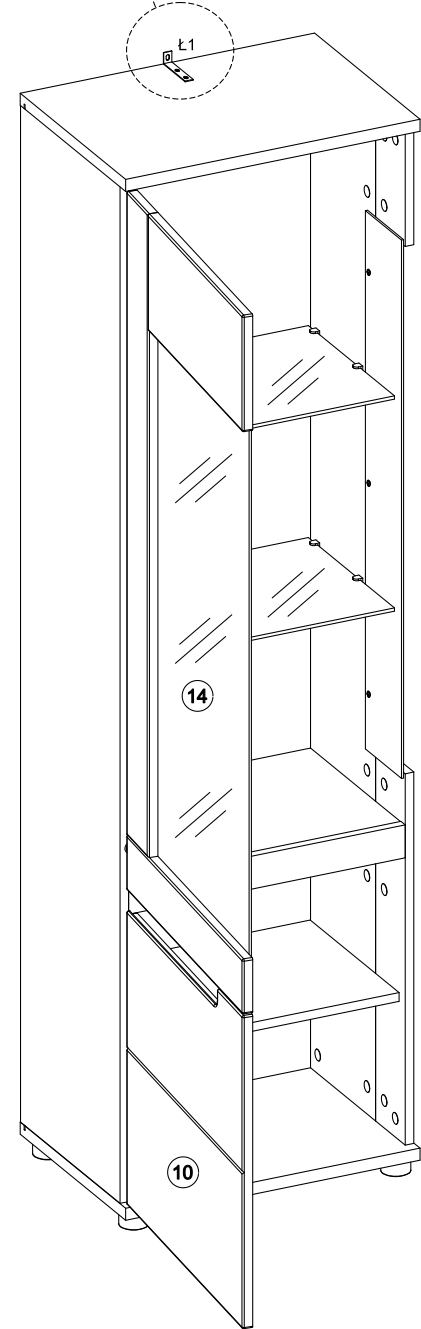
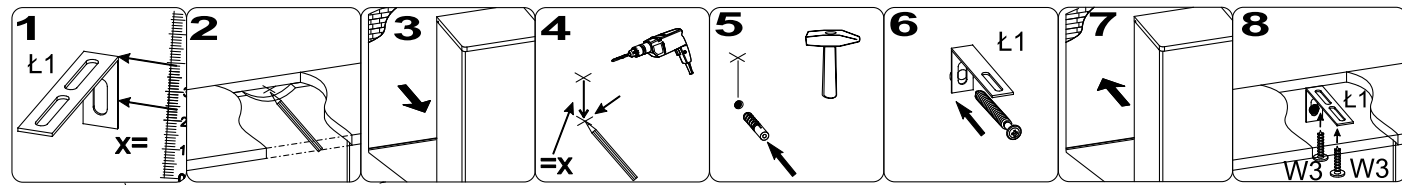
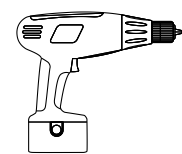
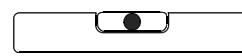
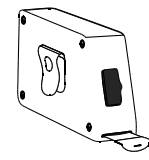
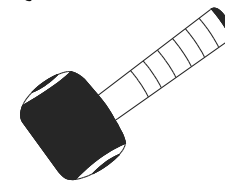
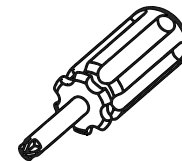
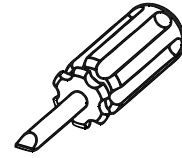
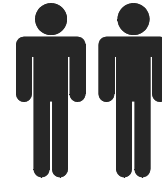
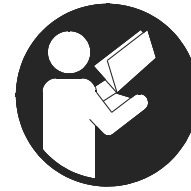


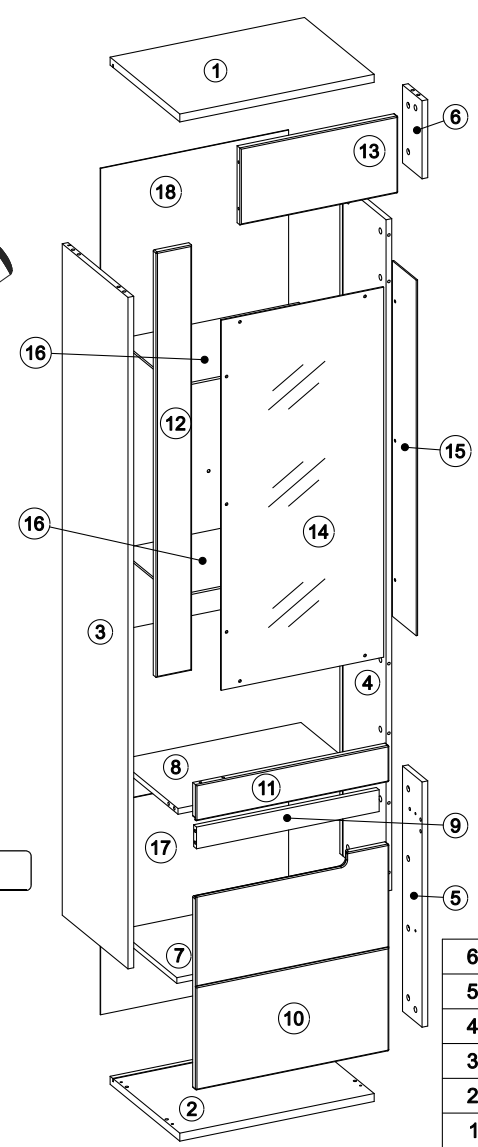
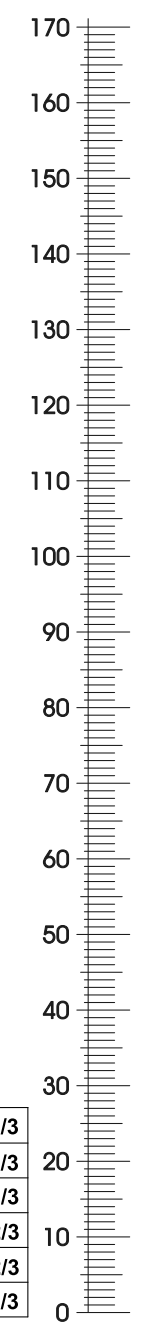
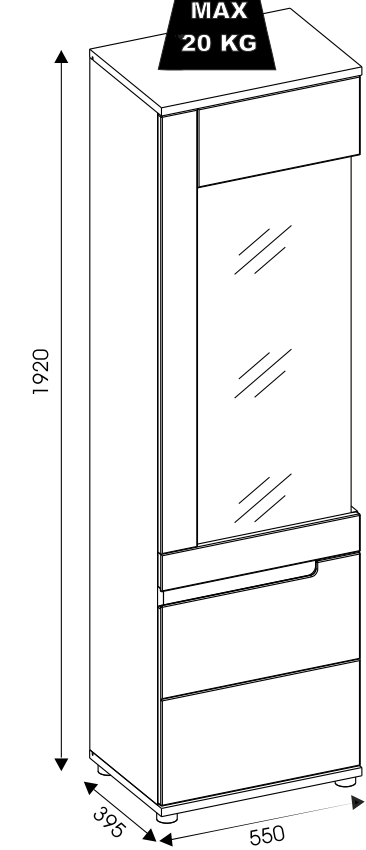
# 16



# MODELL: PR6

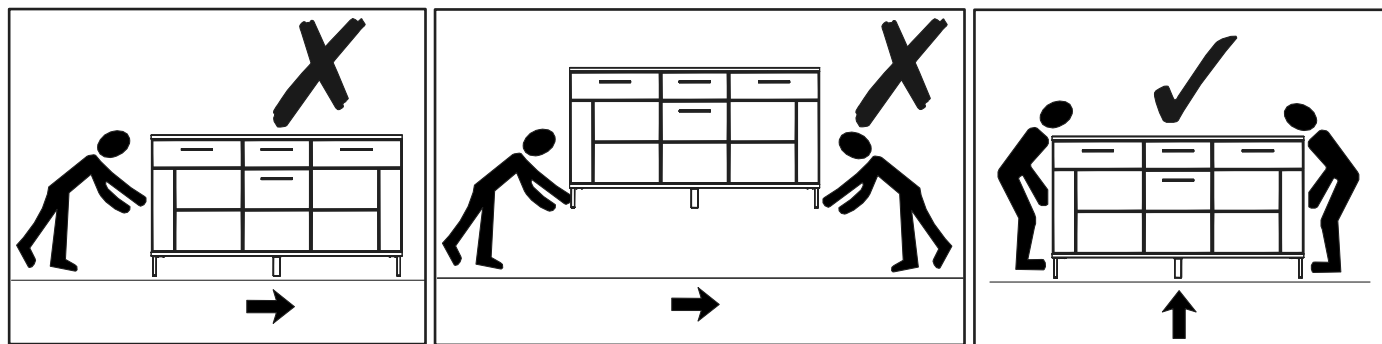
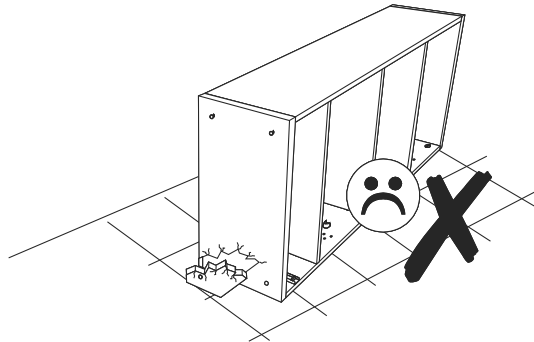
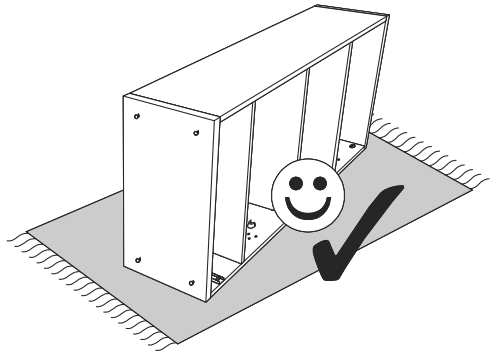
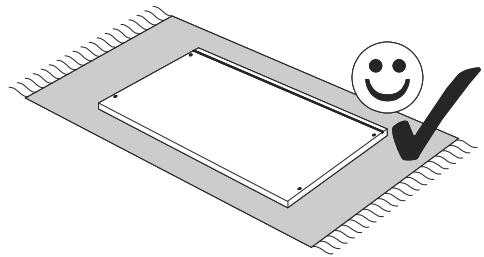


MAX  
20 KG

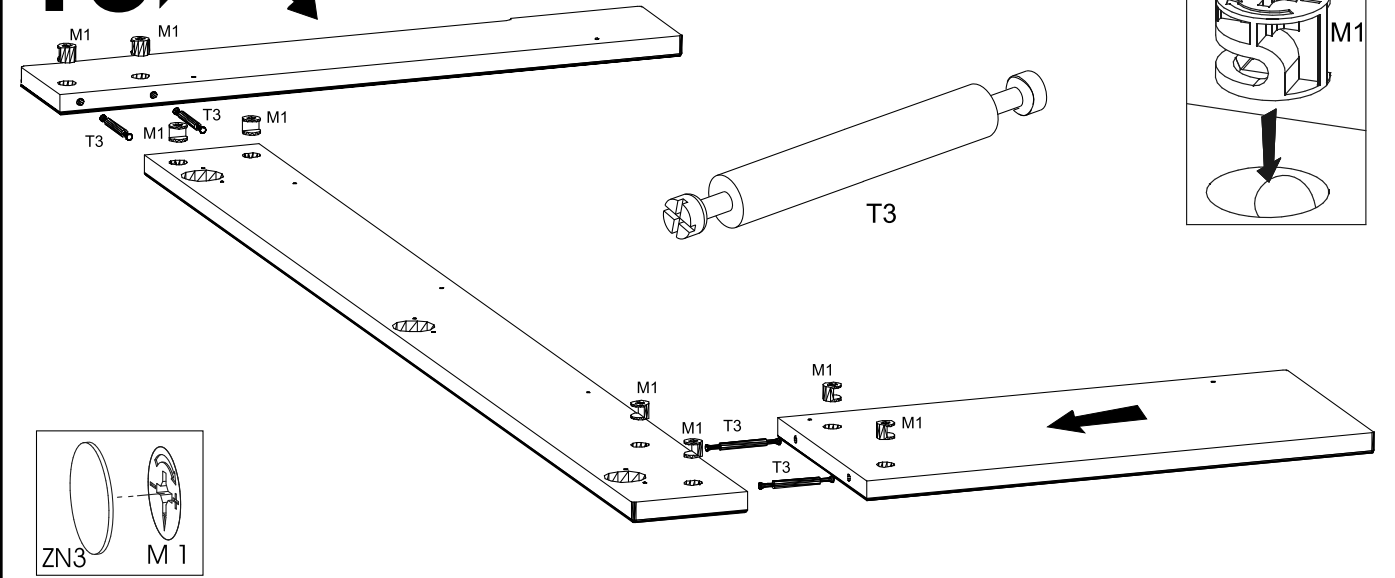


6	215x110	2/3	12	1172x100	3/3	18	1284x529	3/3
5	676x110	2/3	11	544x100	3/3	17	529x580	3/3
4	1851x260	2/3	10	544x570	3/3	16	506x320	1/3
3	1851x370	2/3	9	514x60	3/3	15	980x134	2/3
2	547x392	1/3	8	514x336	1/3	14	1020x457	2/3
1	547x392	1/3	7	513x330	1/3	13	444x212	3/3

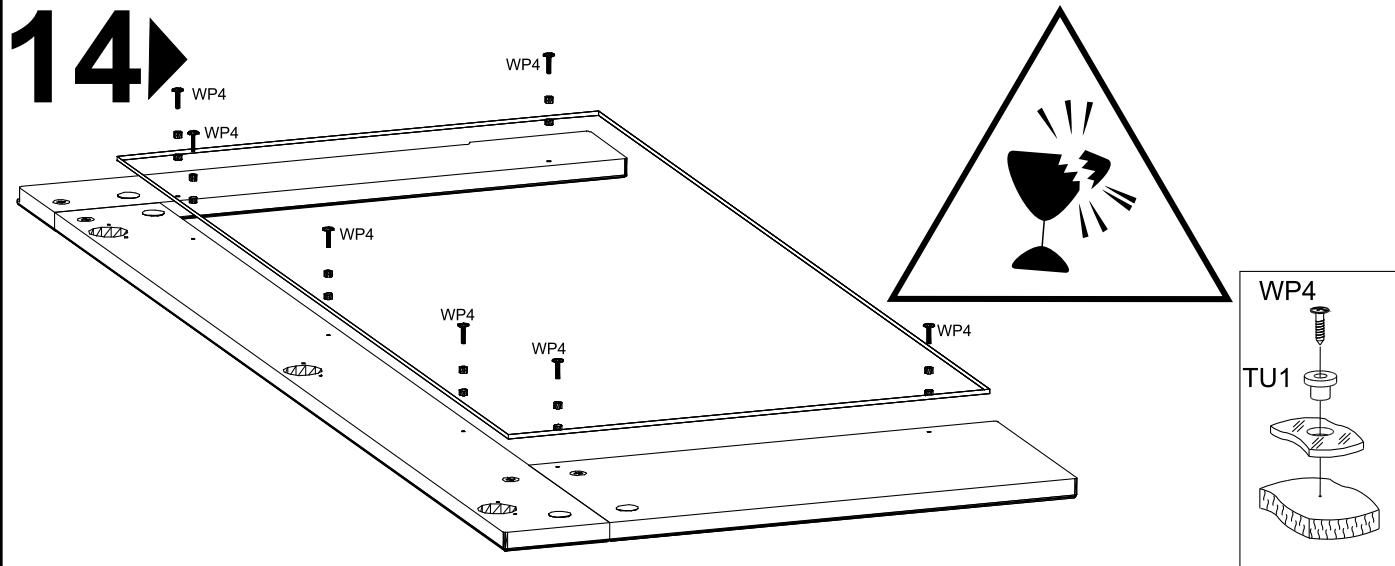
5x	ZC0	8x	#20/320	1x	OPCJA	10x	WP4				
26x	#20/863	14x	3.5x16	16x	ST1	8x	B2	10x	TU1	16x	W9
4x	BS1	16x	8x30	10x	T3	1x	L1	32x	M1	12x	T1
										5x	PRO
										4x	WP3
										4x	N1
										4x	G1
										4x	B1



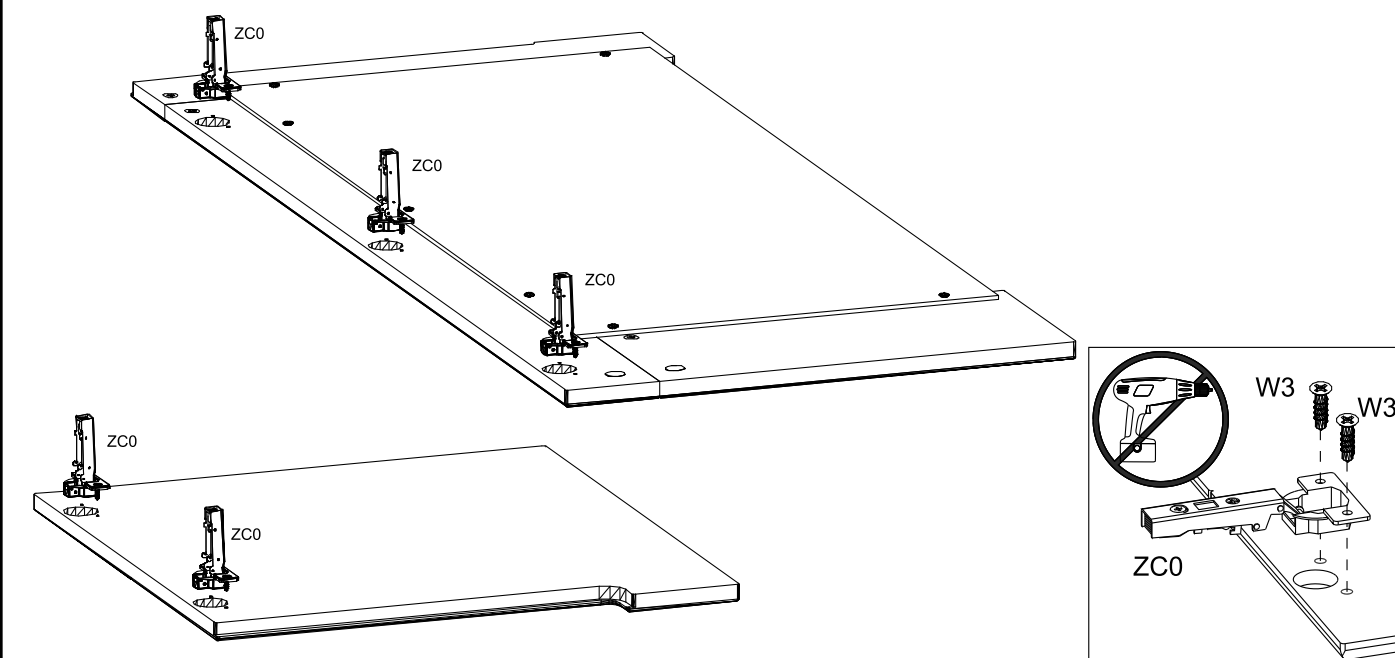
13



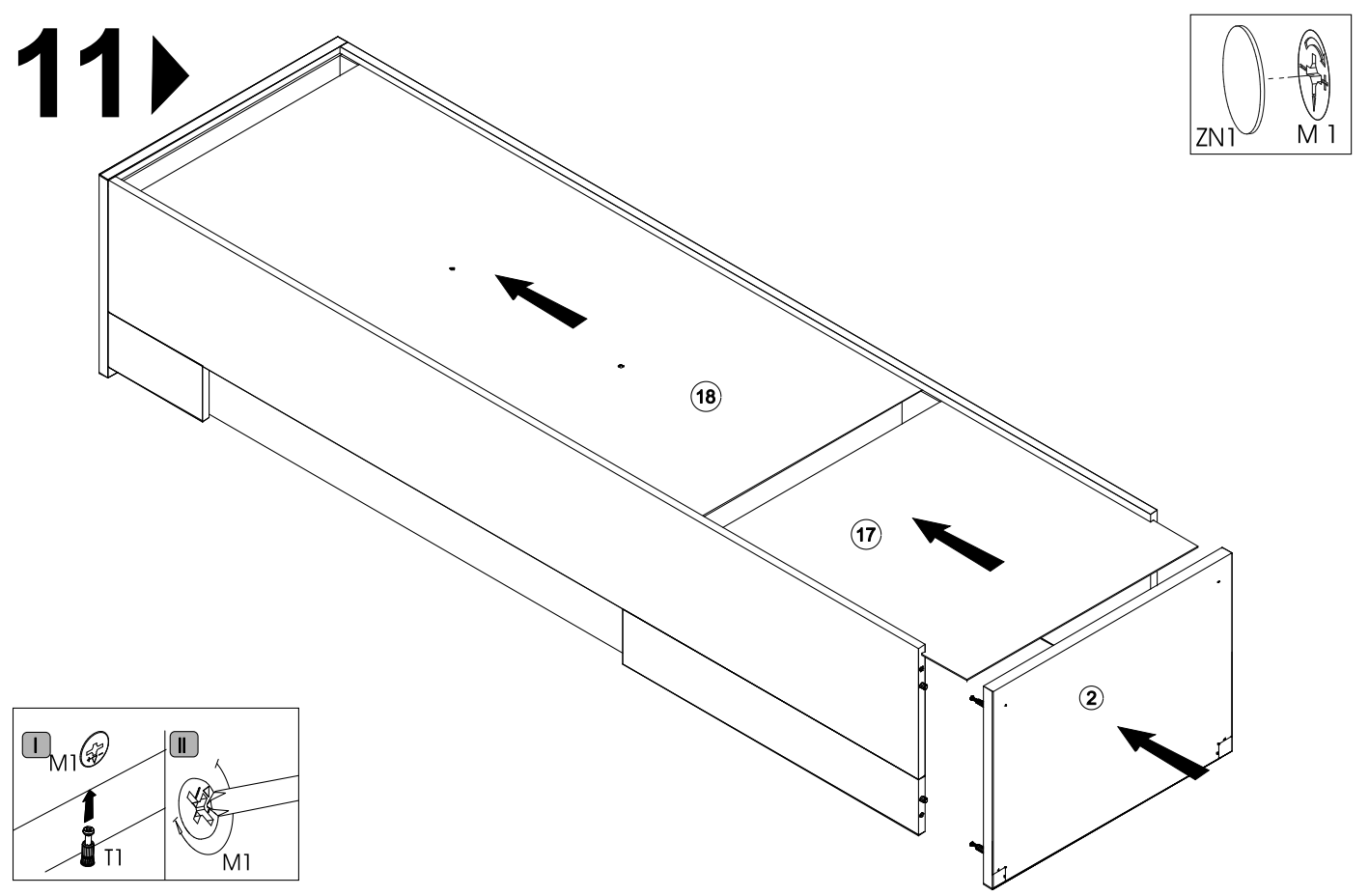
14



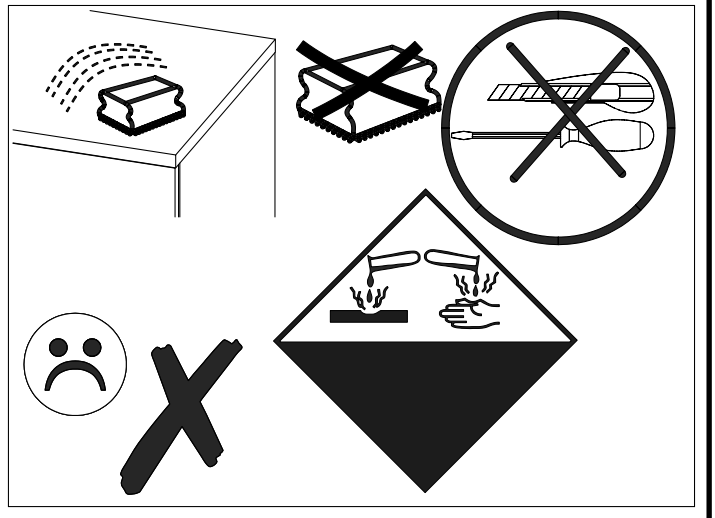
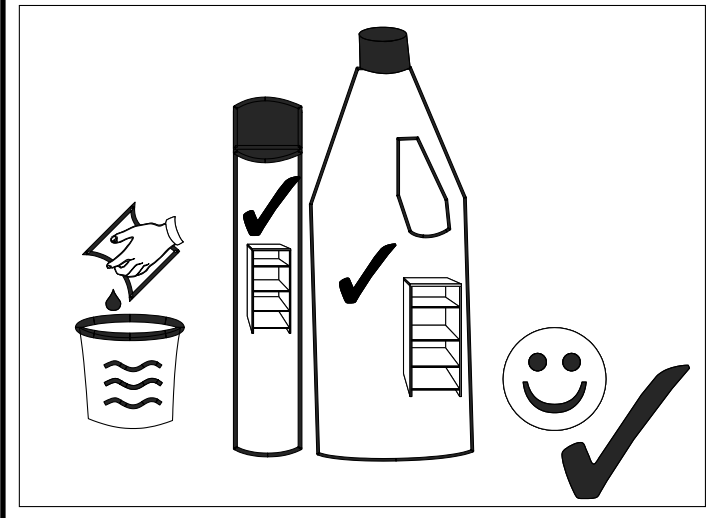
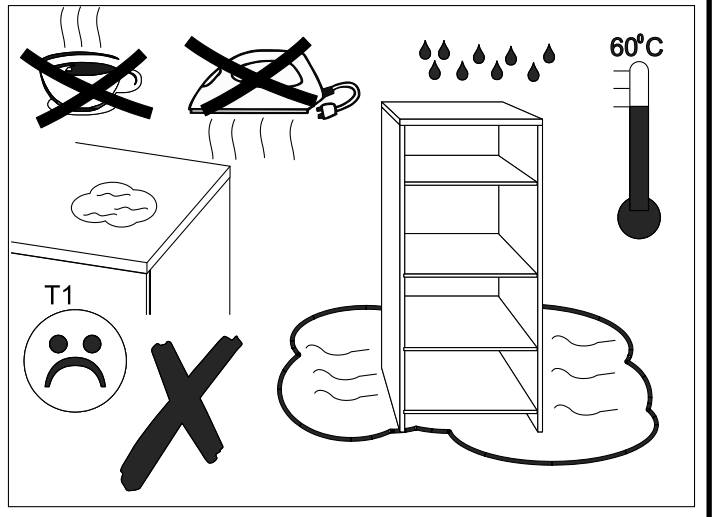
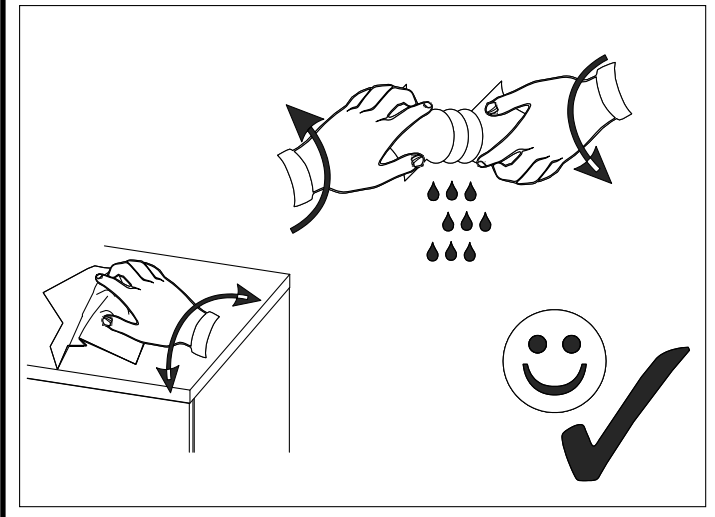
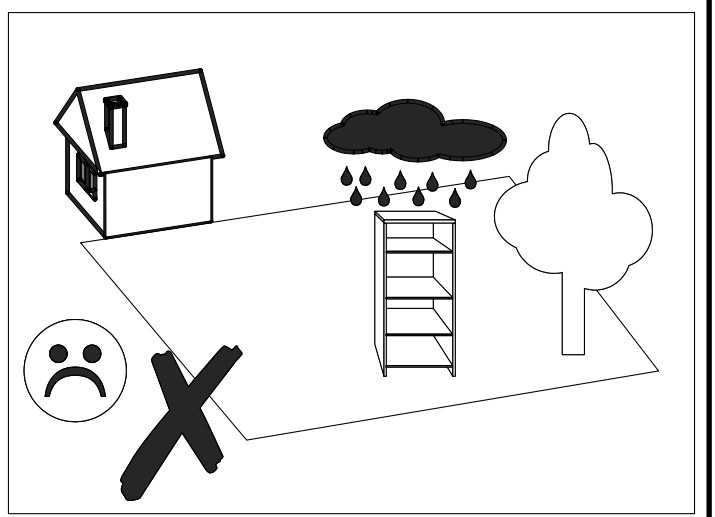
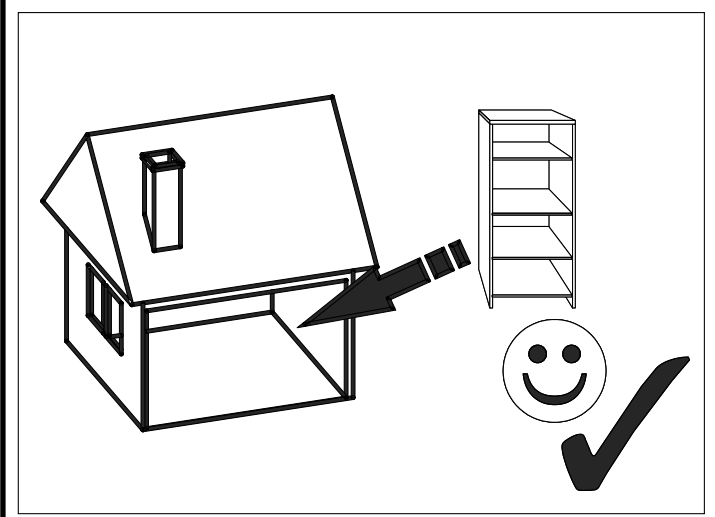
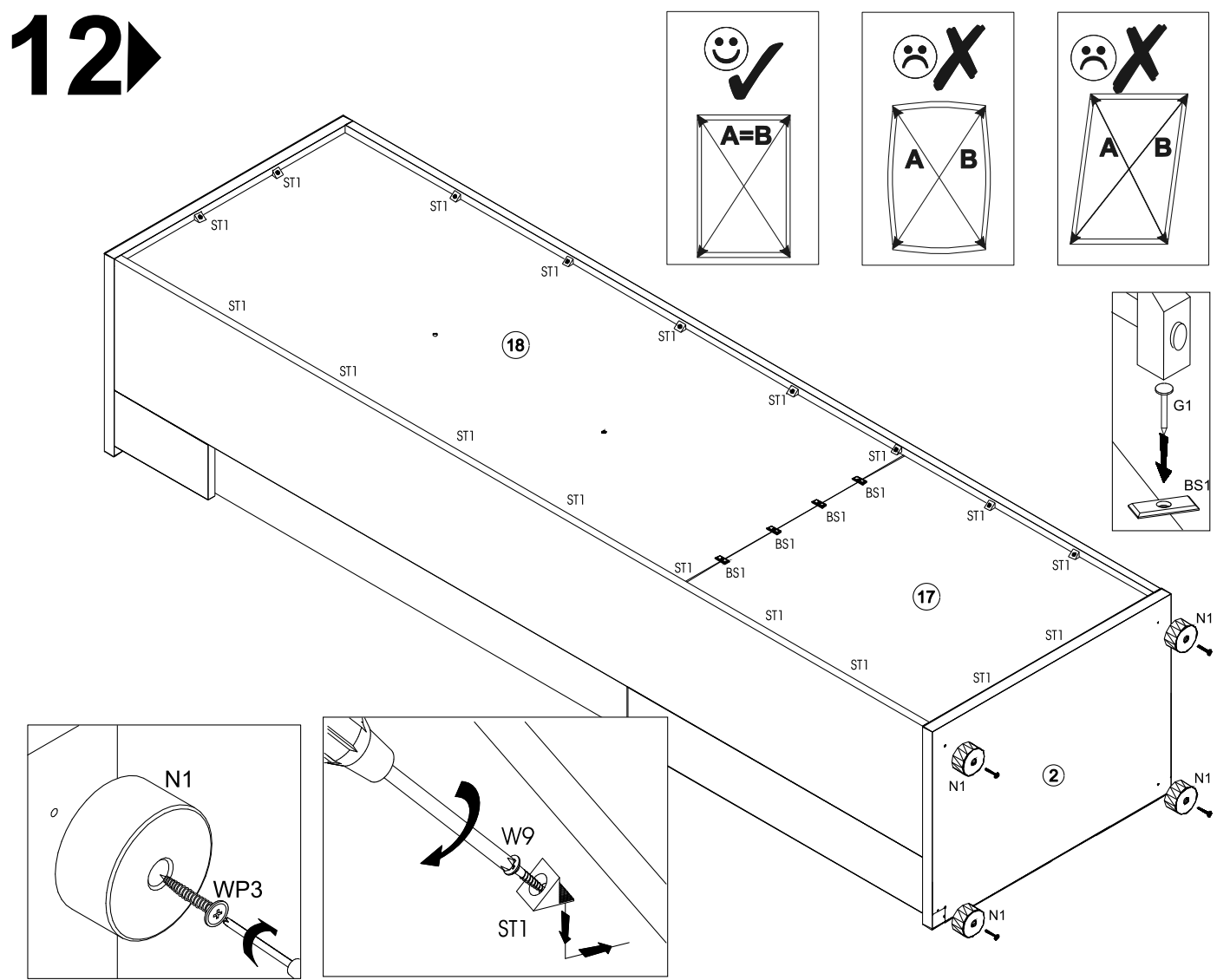
15

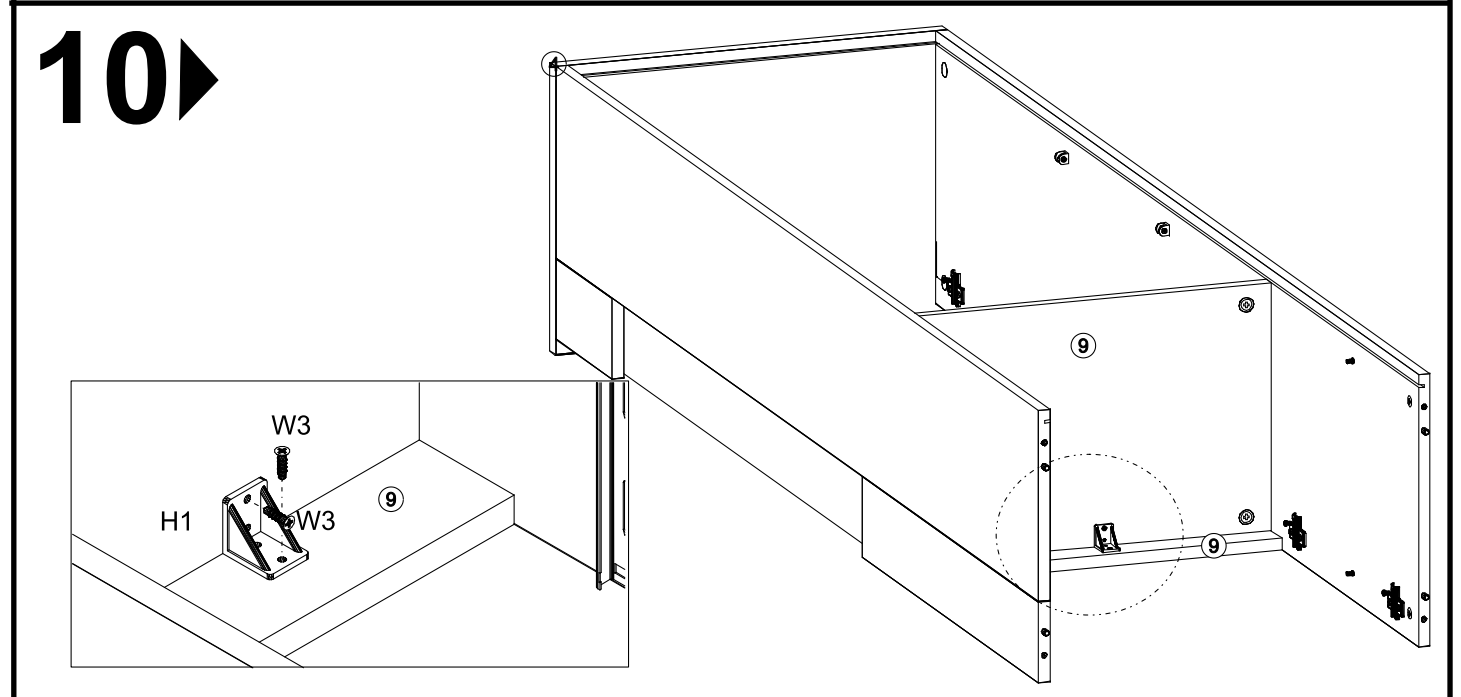
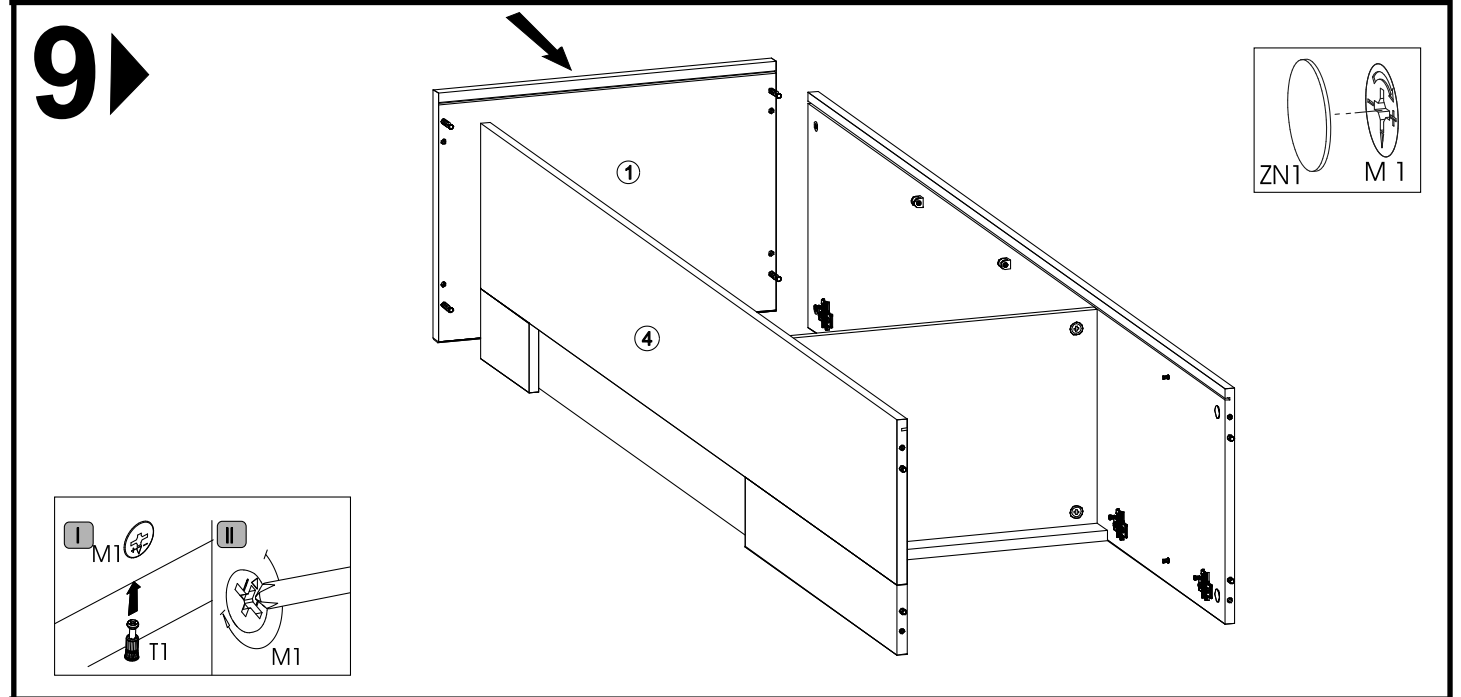
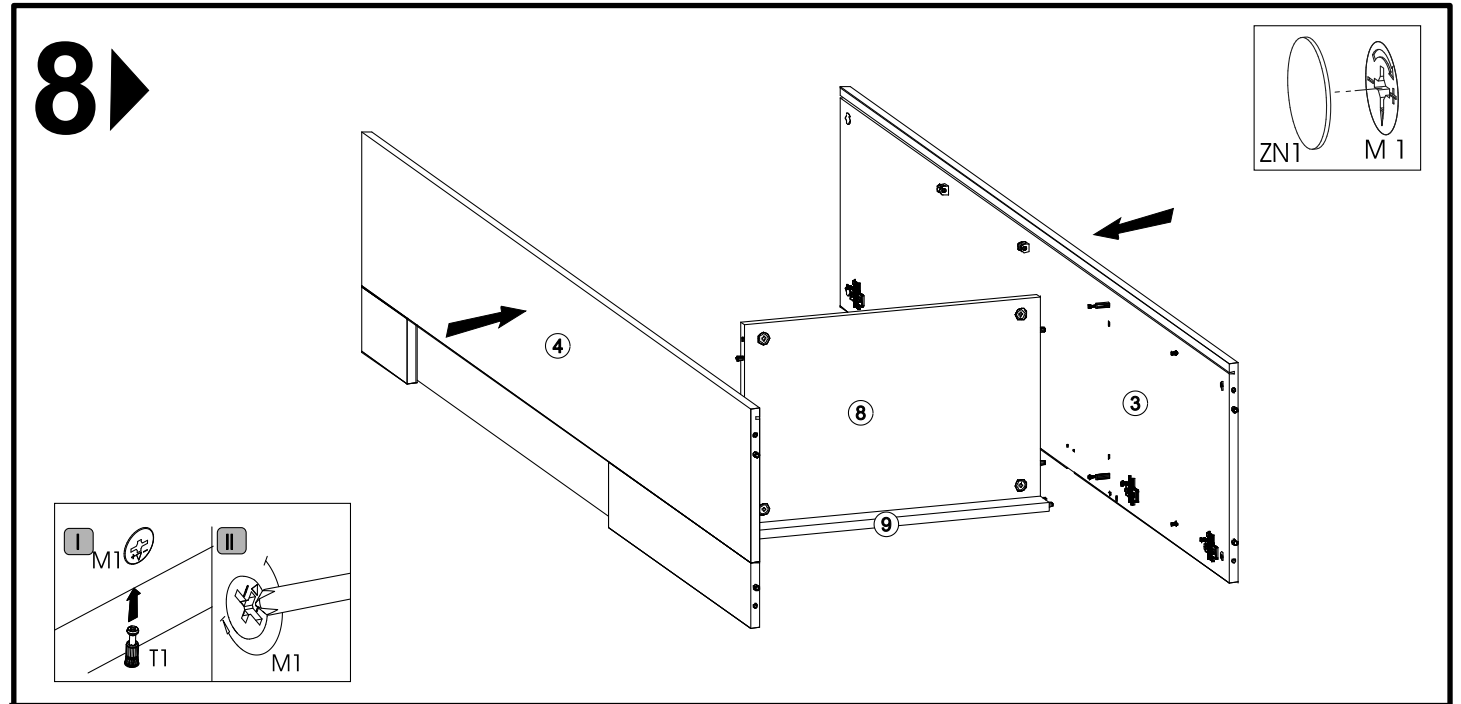
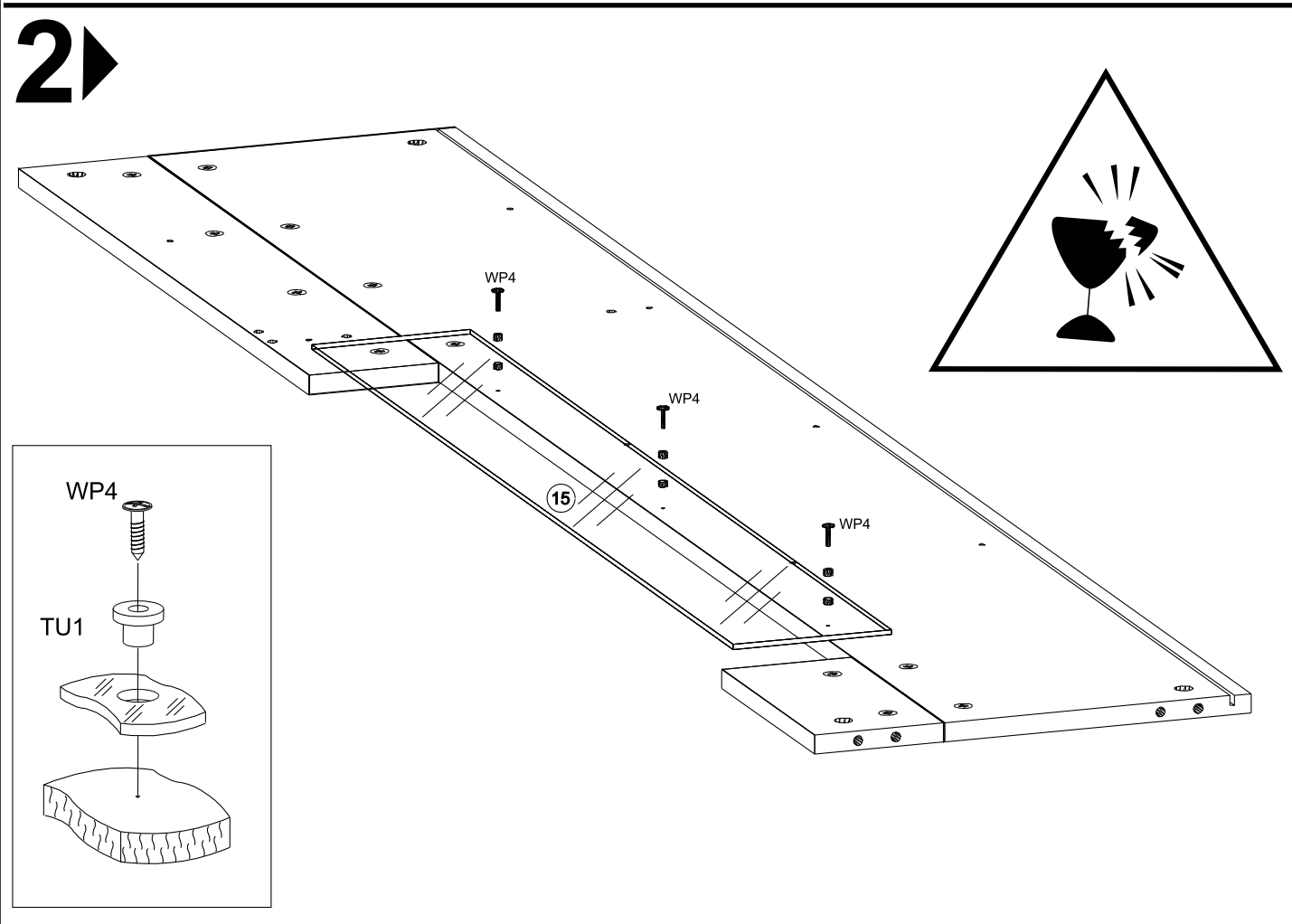
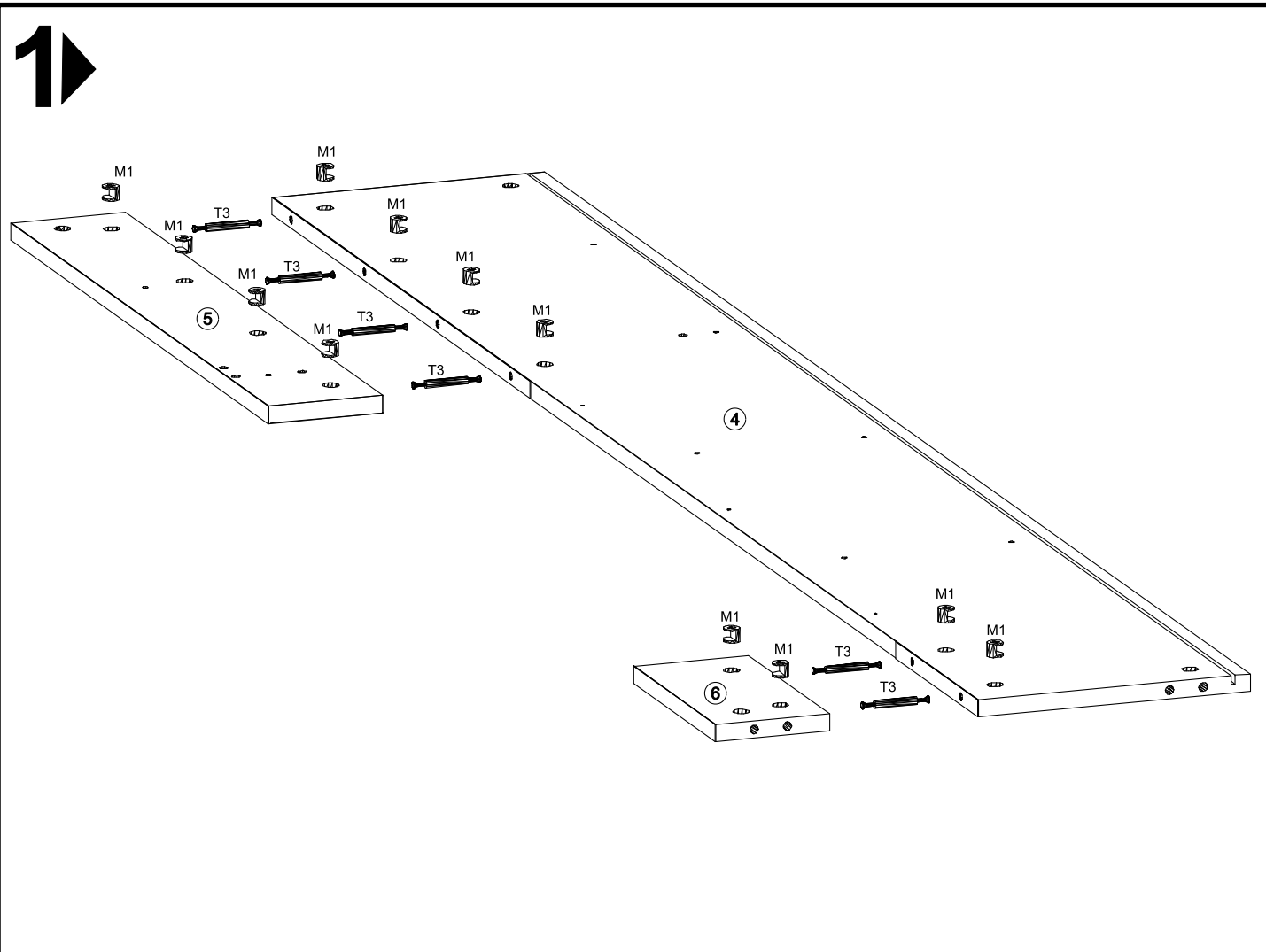


11▶

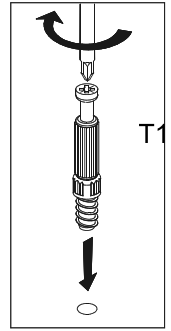
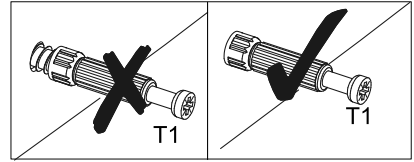
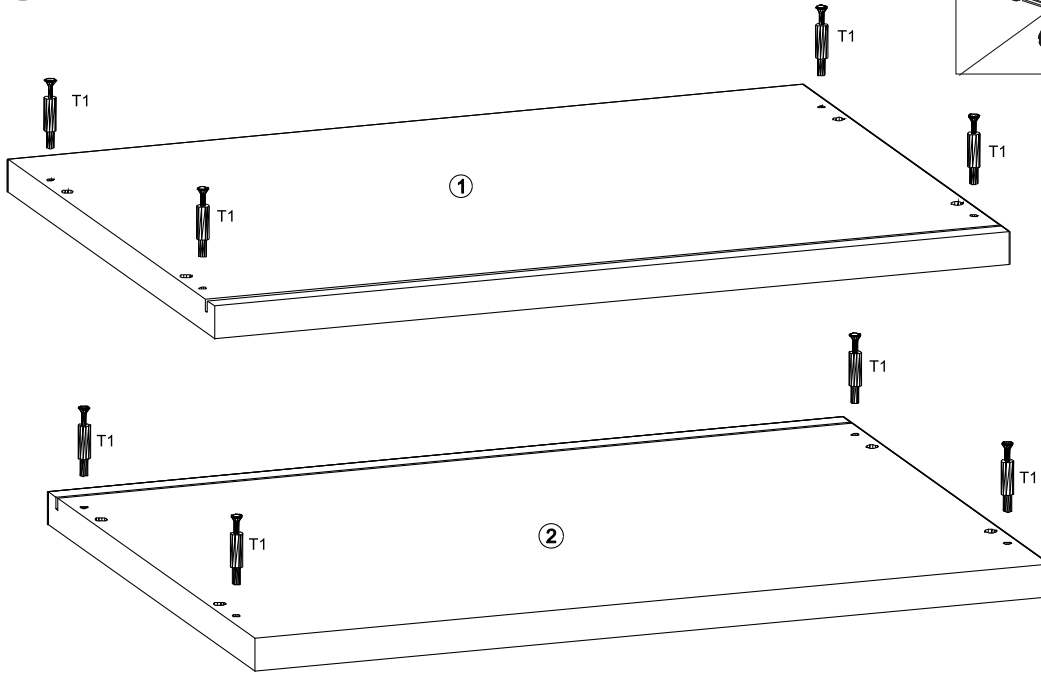


12▶

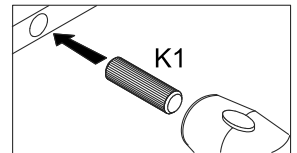
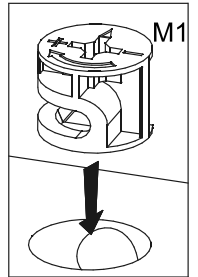
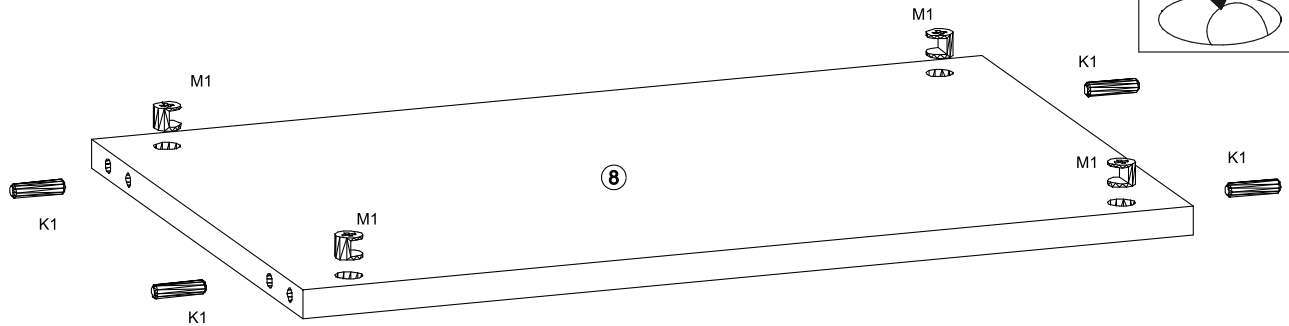




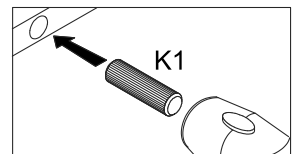
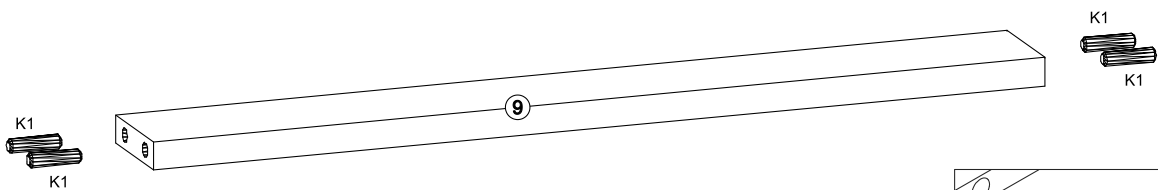
# 5 ▶



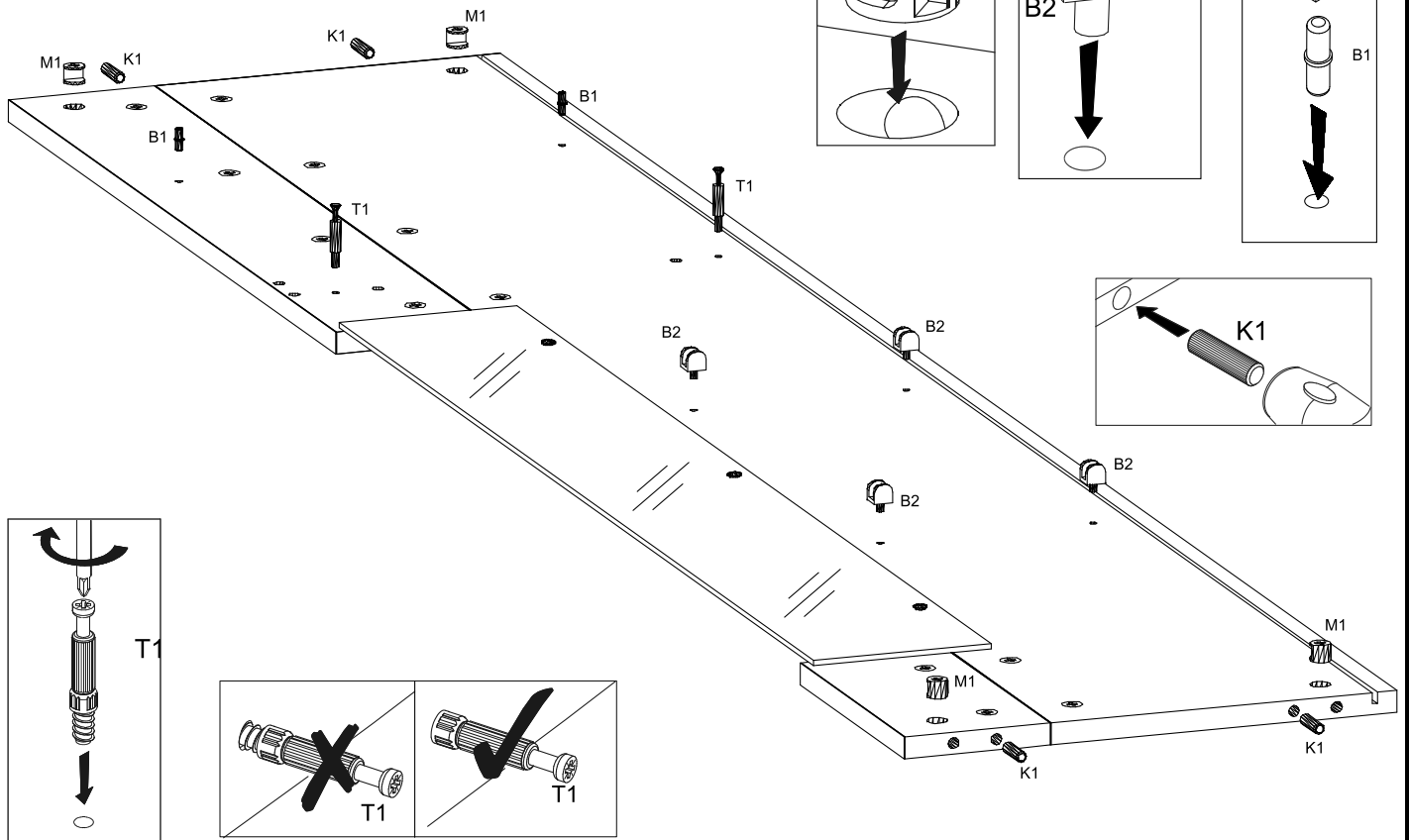
# 6 ▶



# 7 ▶



# 3



# 4

