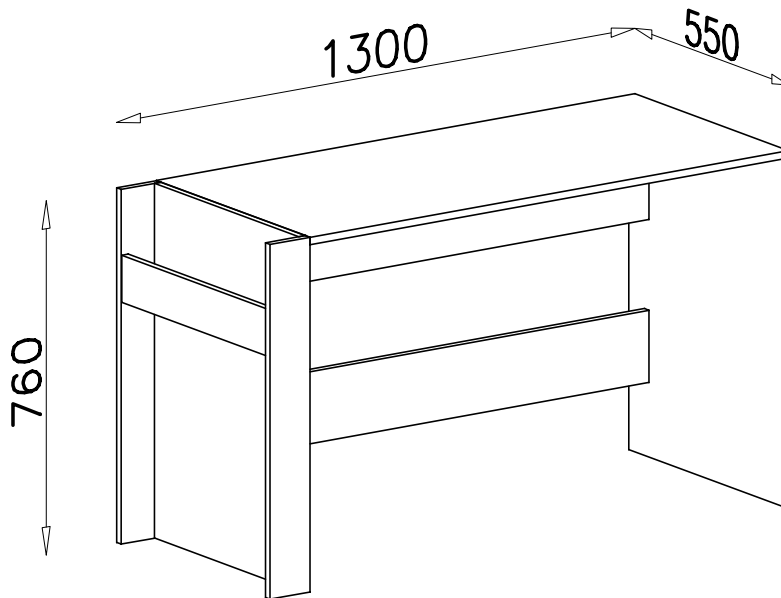
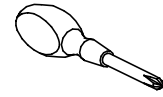
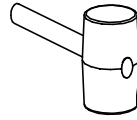
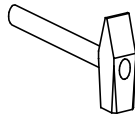
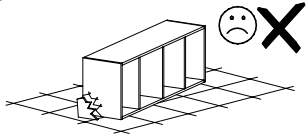
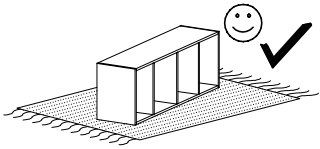
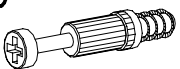


# REMO RM 10



K5



x6

K1



ø15x12

x6

W1



x2

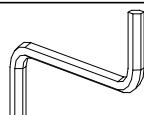
B7



ø8x30

x38

W2



x1

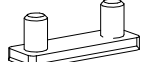
I7



ø18

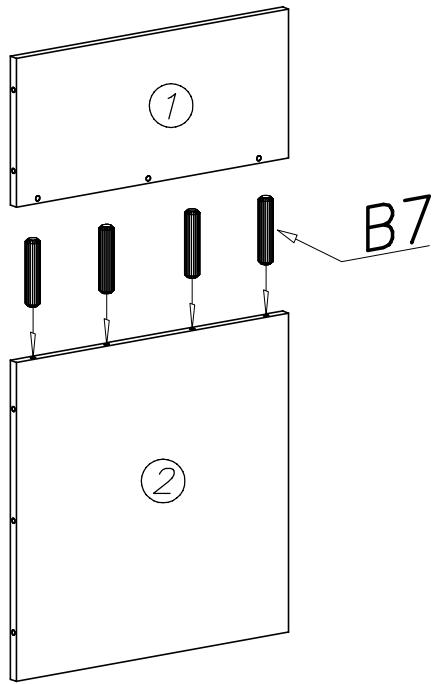
x6

P3

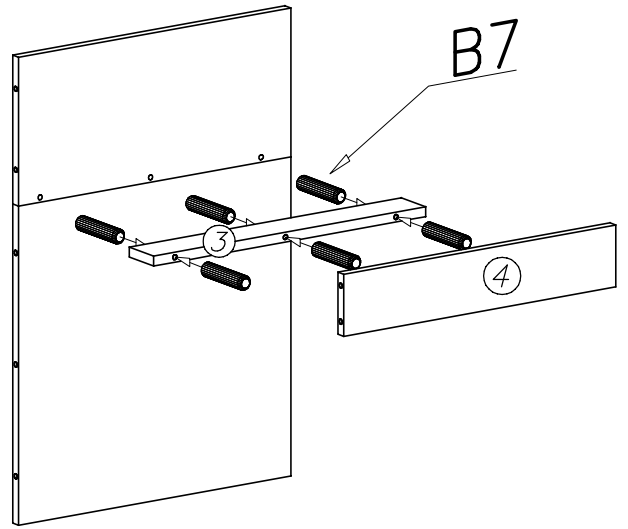


x4

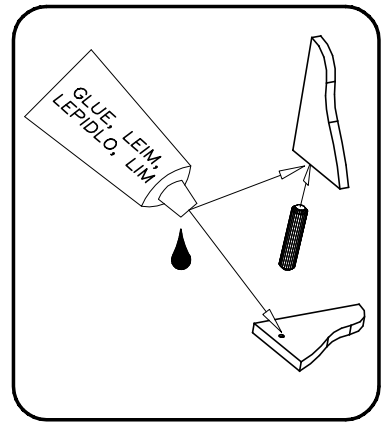
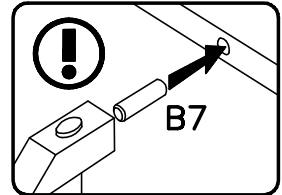
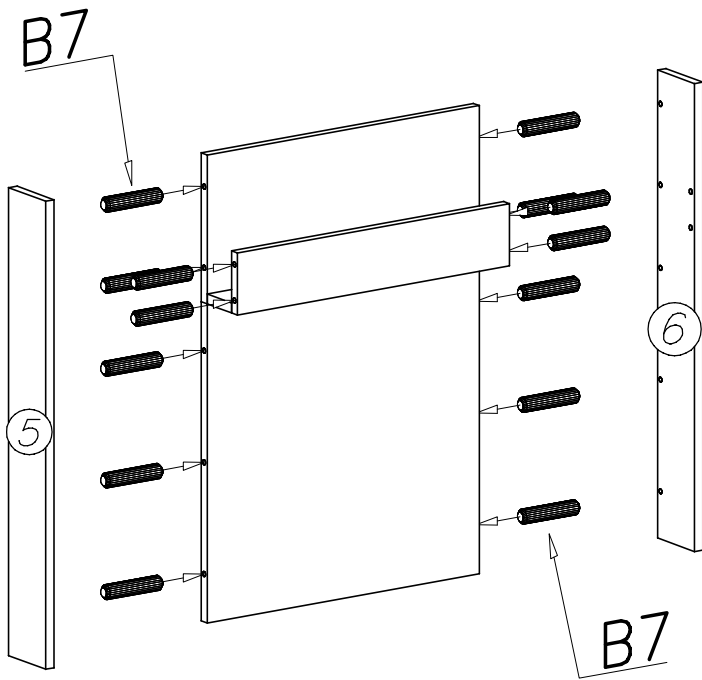
I



II



III



IV

