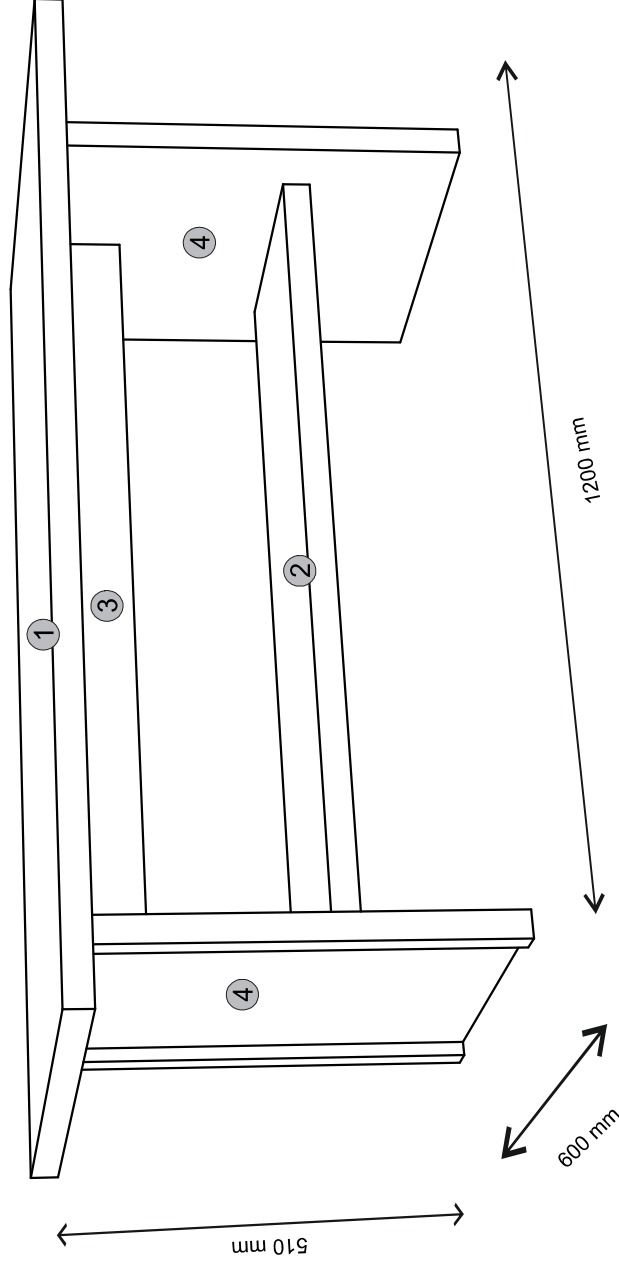
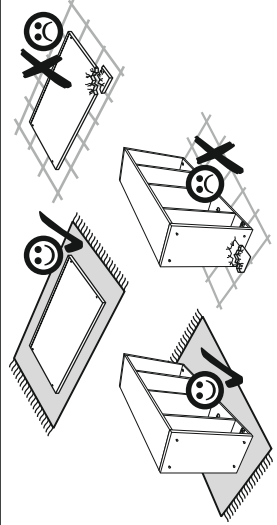
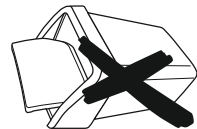
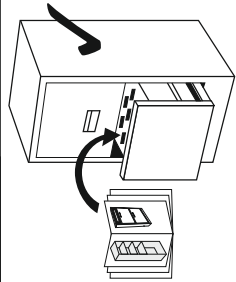
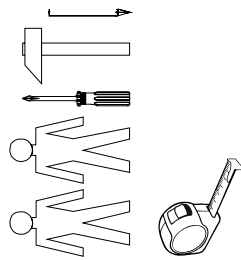
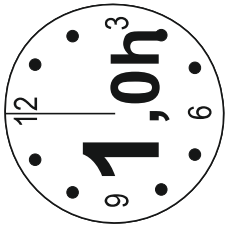
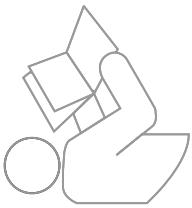


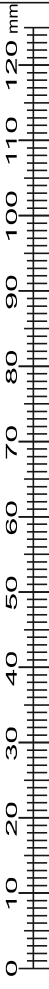
Installation manual

NORTON: LAW_120

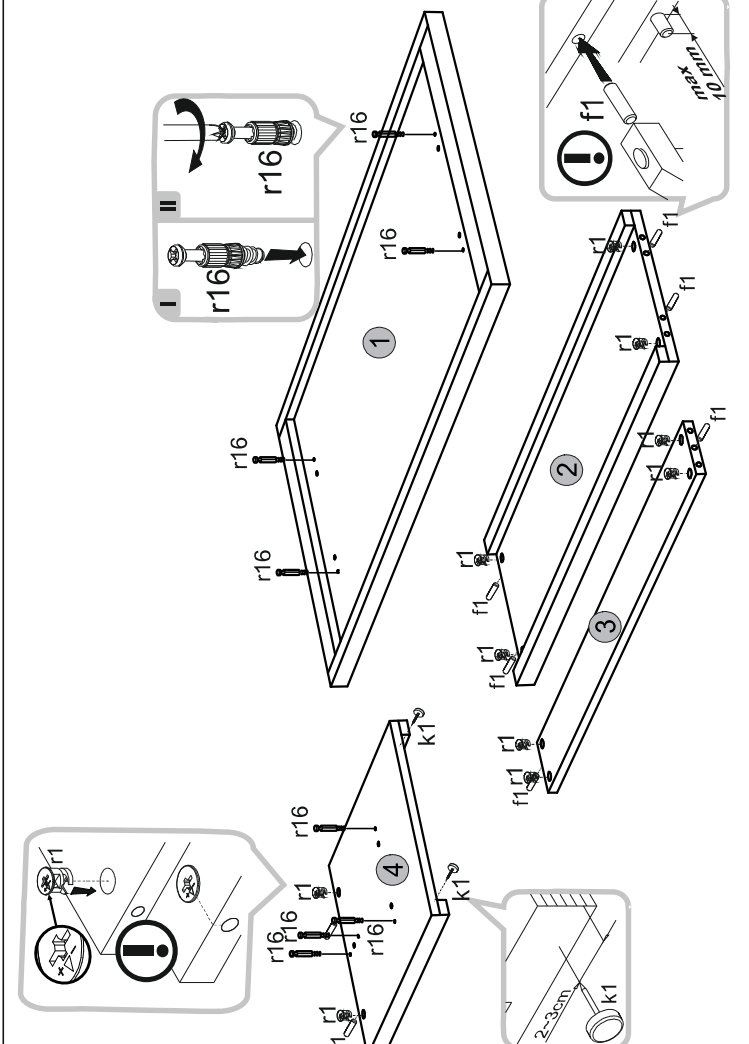


Element symbol	Dimensions	Code	Package
1	600 16/32/32	K-202	1/1
2	300 16/32	K-305	1/1
3	100 936	K-401	1/1
4	400 16/32	K-108	2 1/1

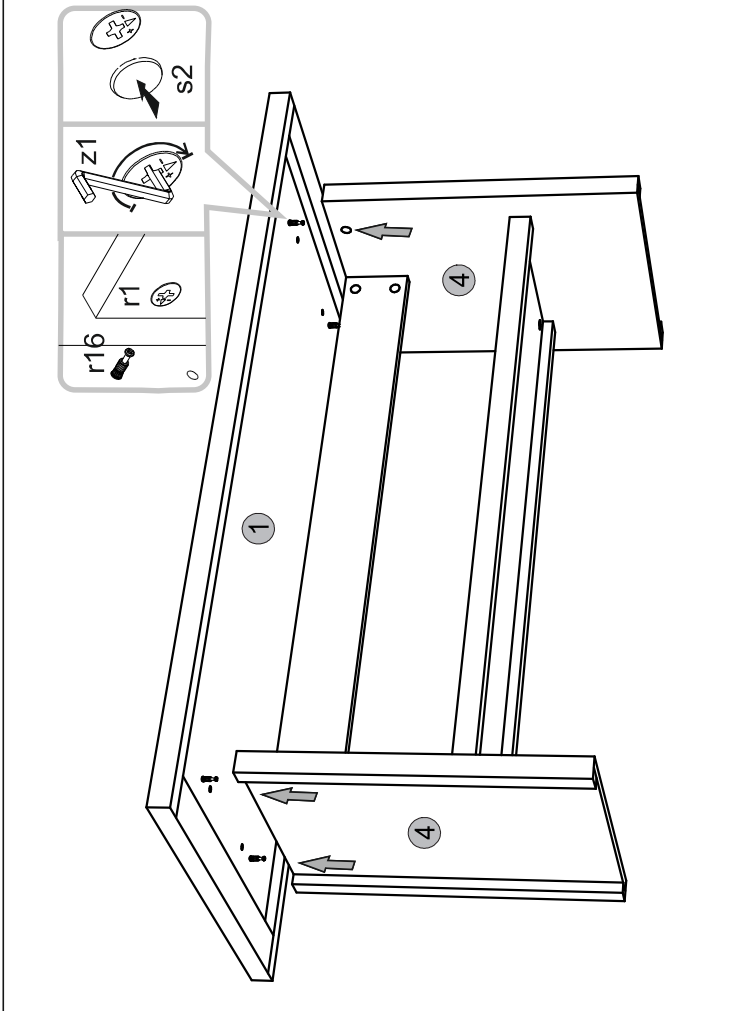
10X ø8,30 mm f1	12X ø16 z1	12X ø16 s2
12X ø15,2mm #16 r1	4X r16	k1



1



3



2

