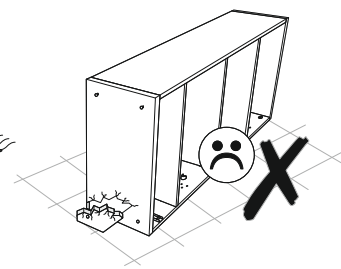
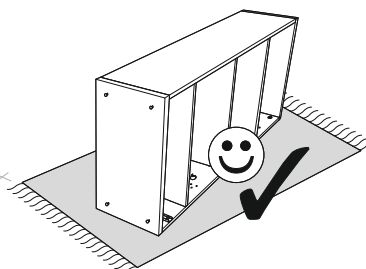
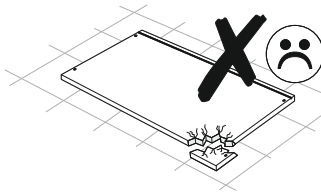
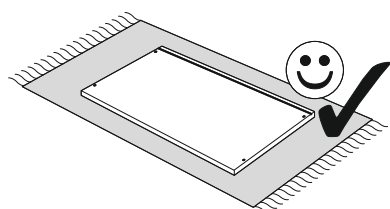
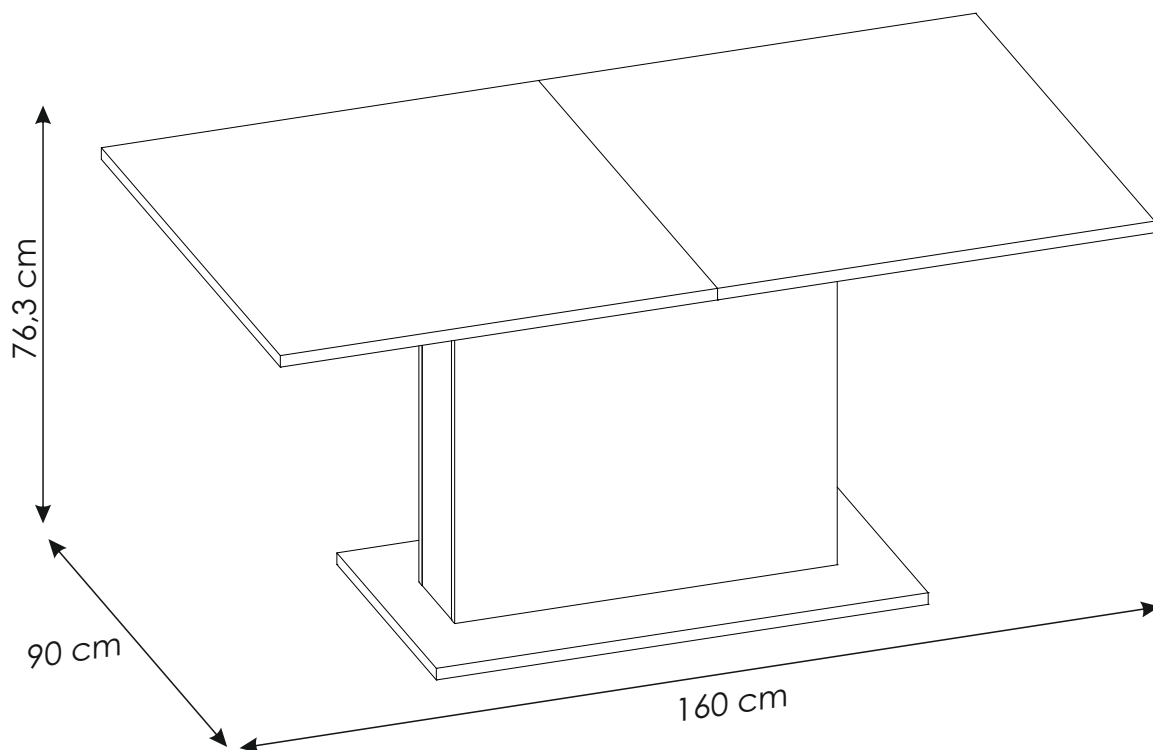
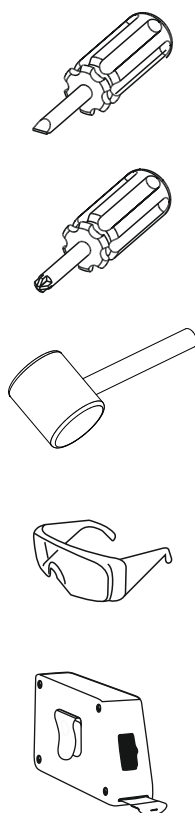
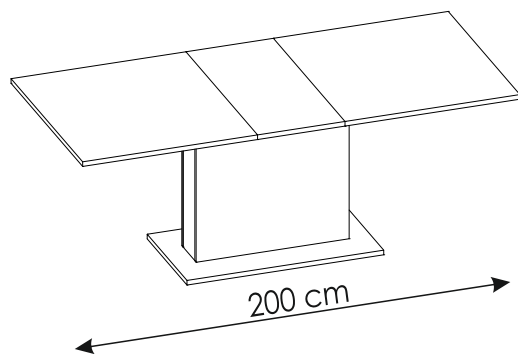
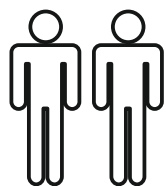
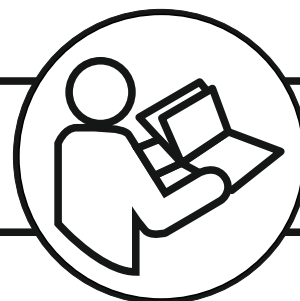
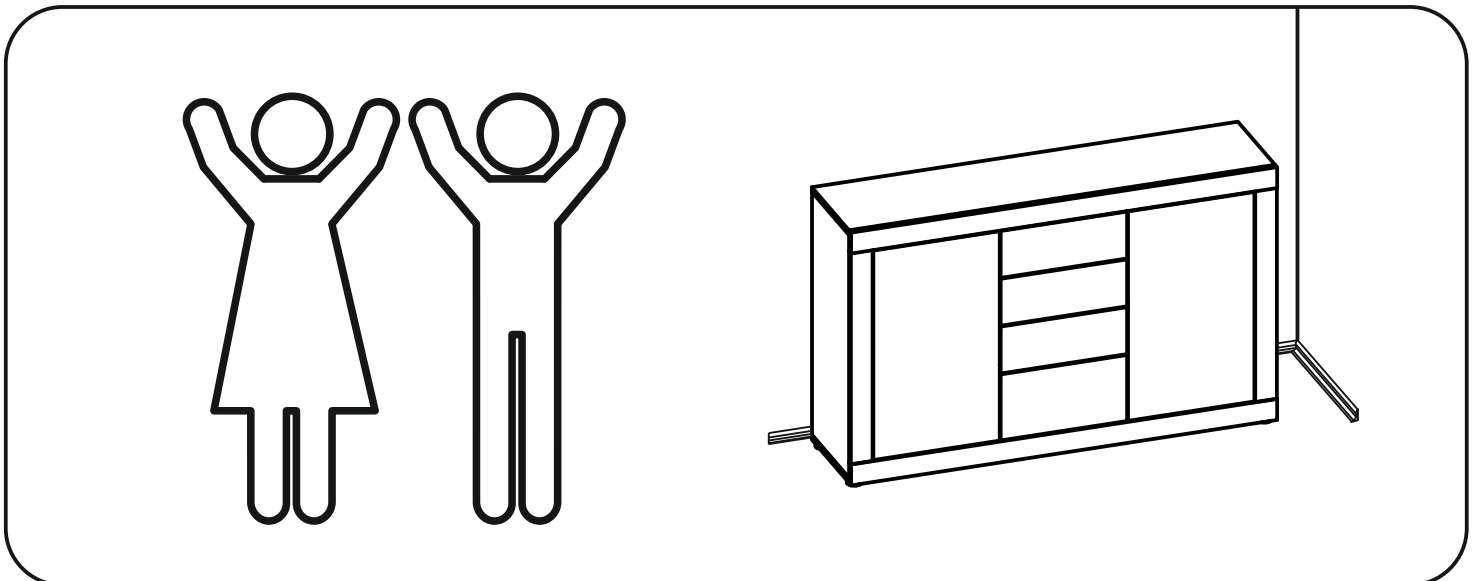
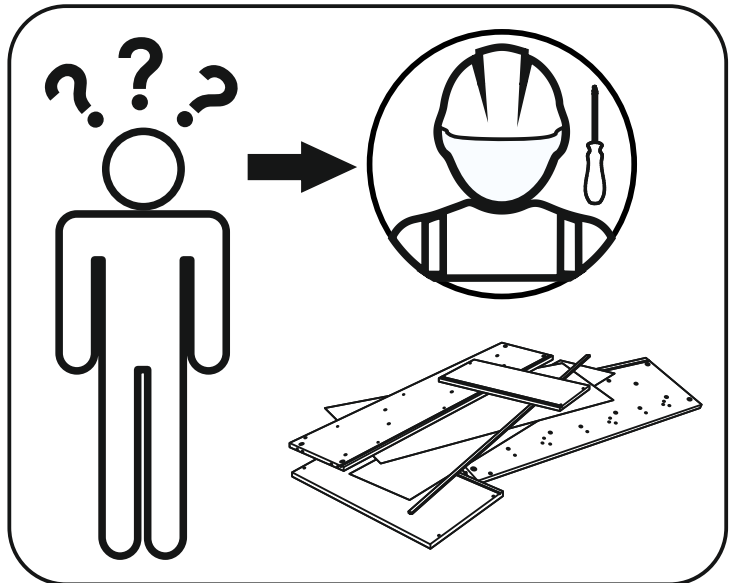
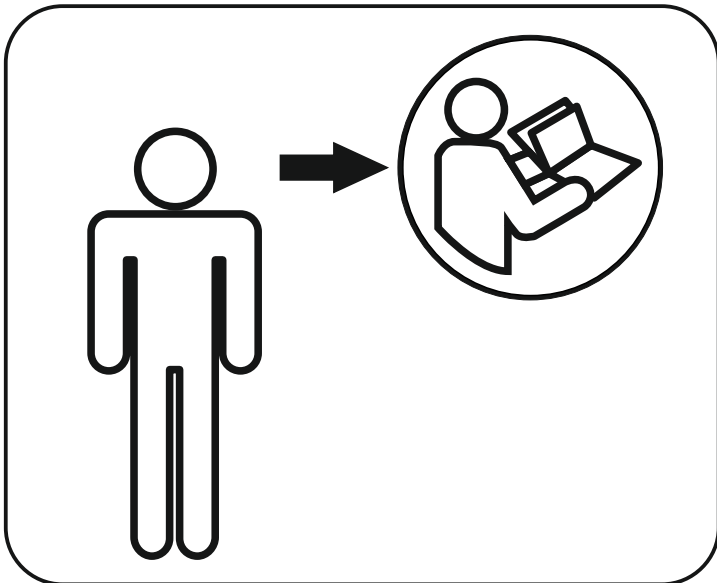
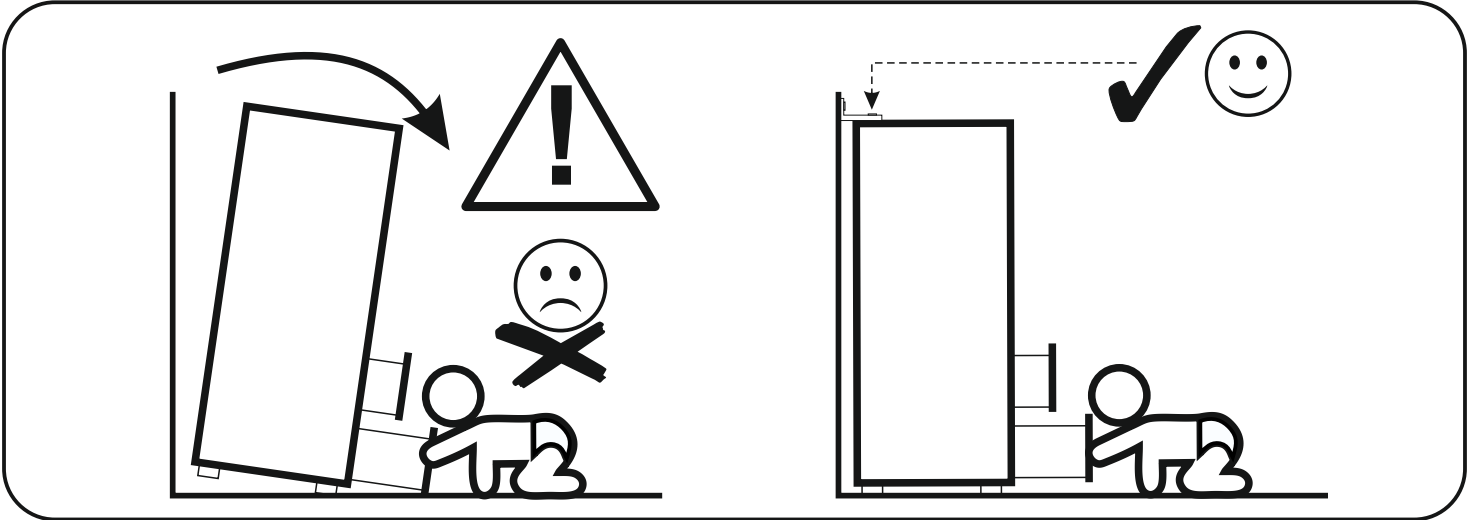
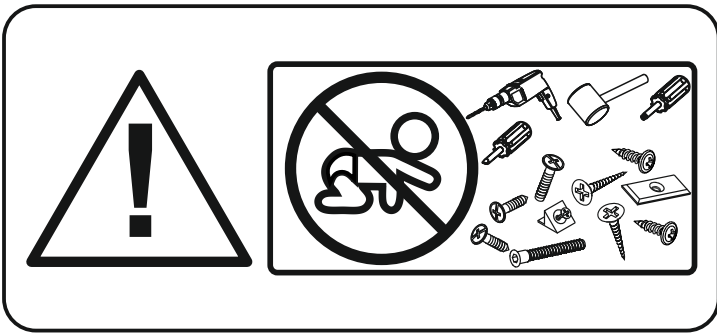
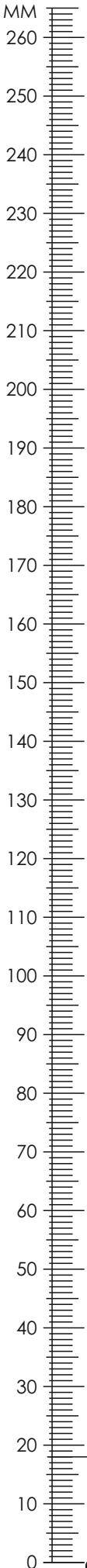




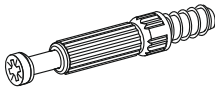
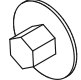
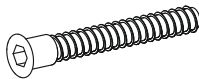

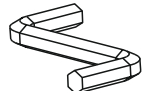
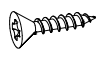

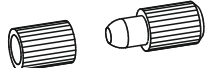
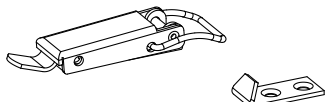

BROT02



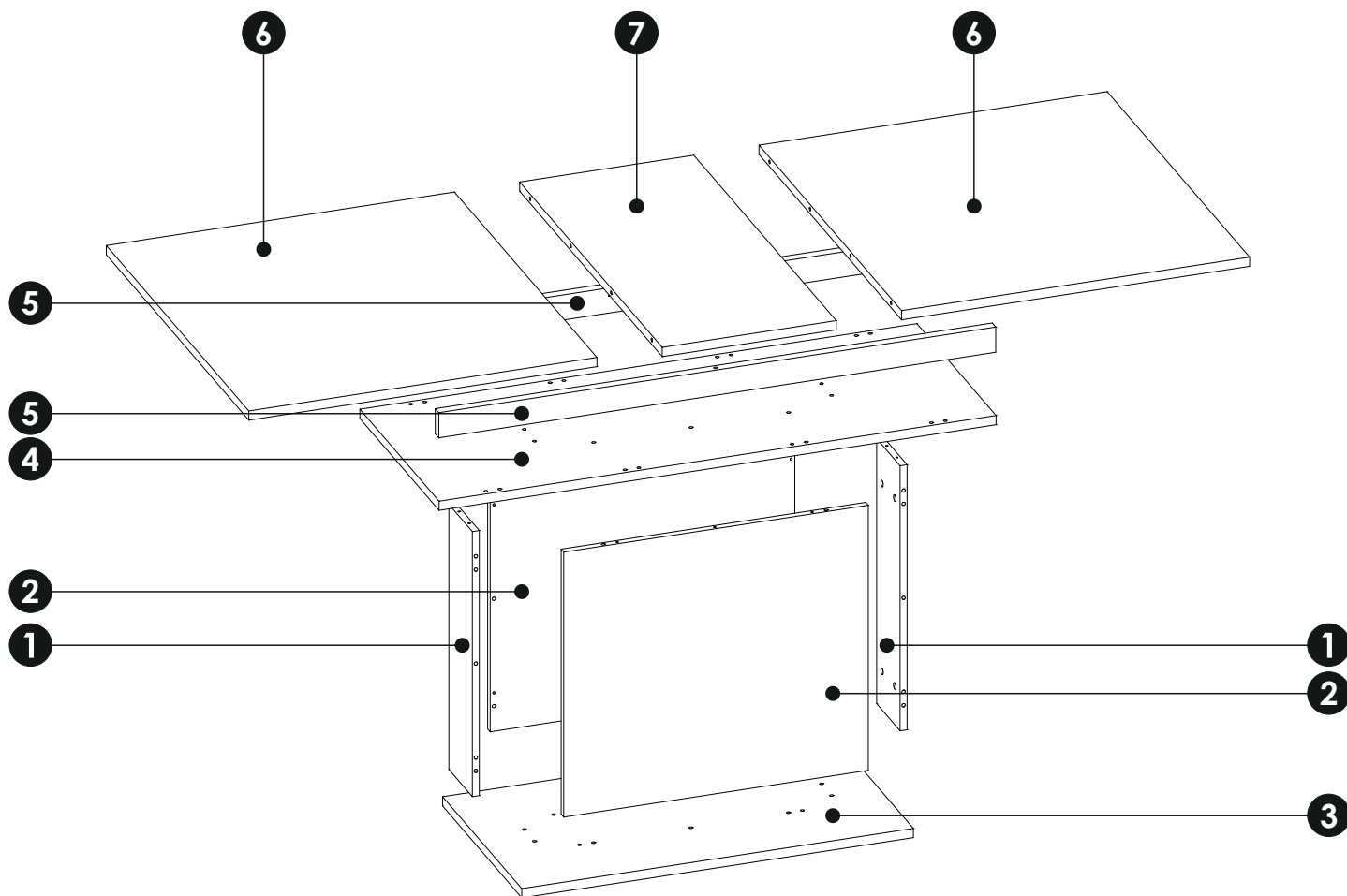
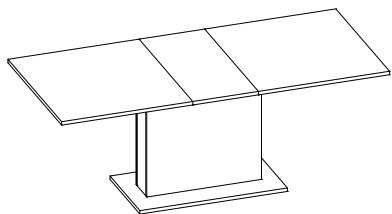


BROT02



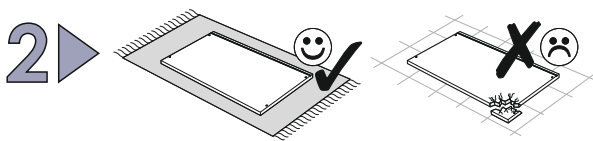
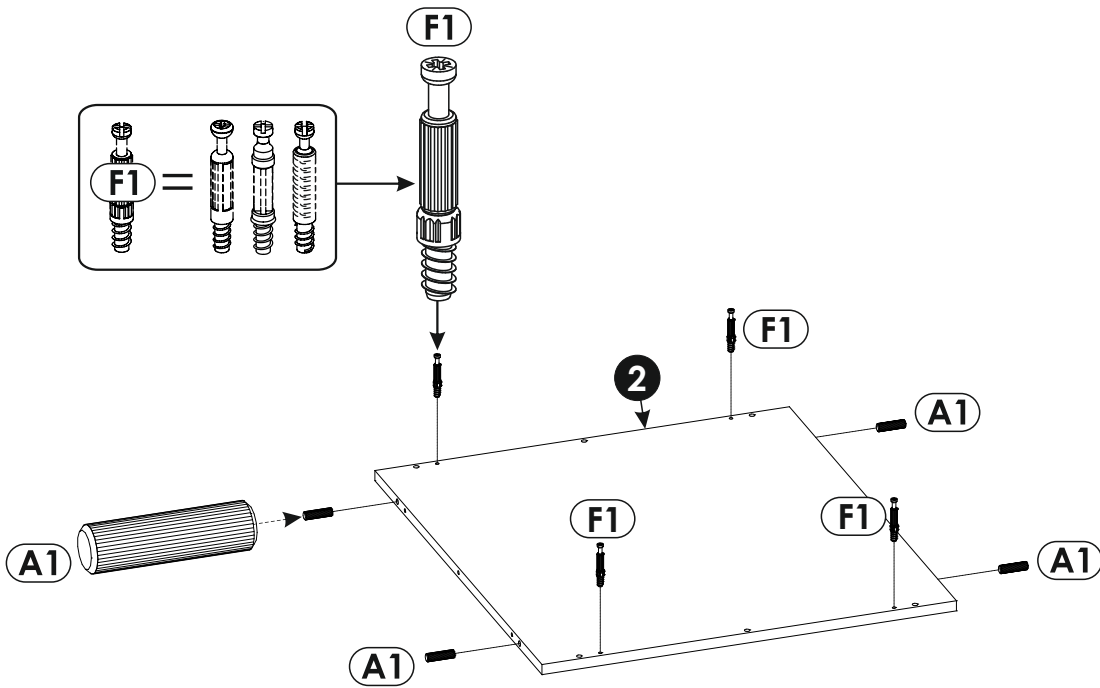
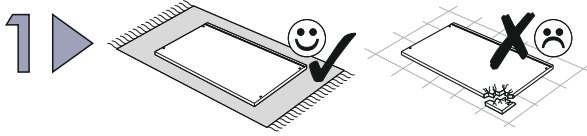
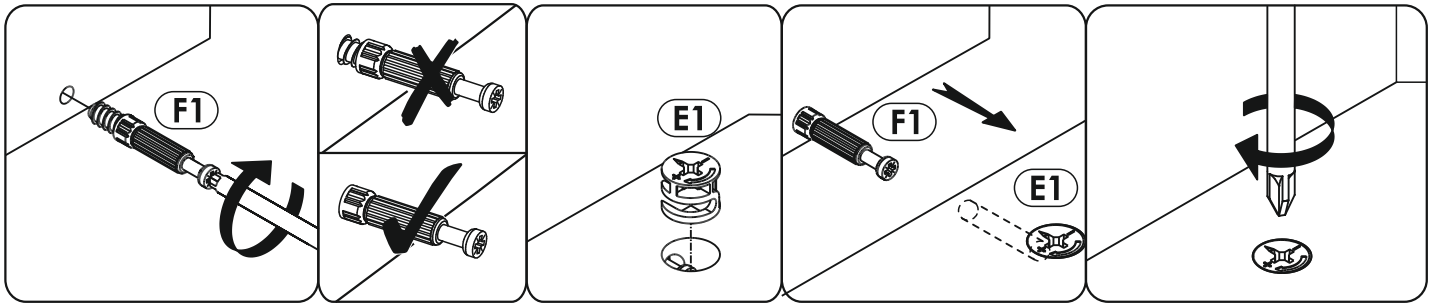
A1 8 x 35 mm x28 	E1 15 x 12 mm x8 	F1 6 x 34 mm x8 
G0 x18 	G1 7 x 50 mm x28 	I9 4 x 20 mm x36 
M x1 	N1 3 x 16 mm x20 	O2A ø20 x14 
R8 x10 	S10 x4 	T10 L-650 mm x2 

BROT02

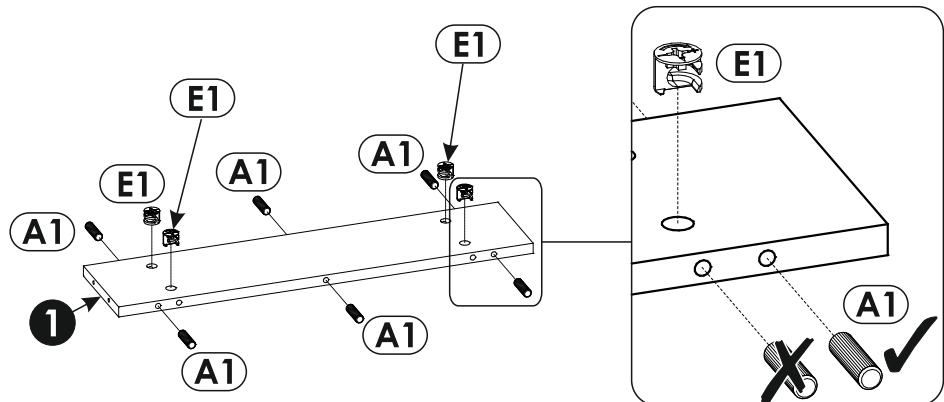


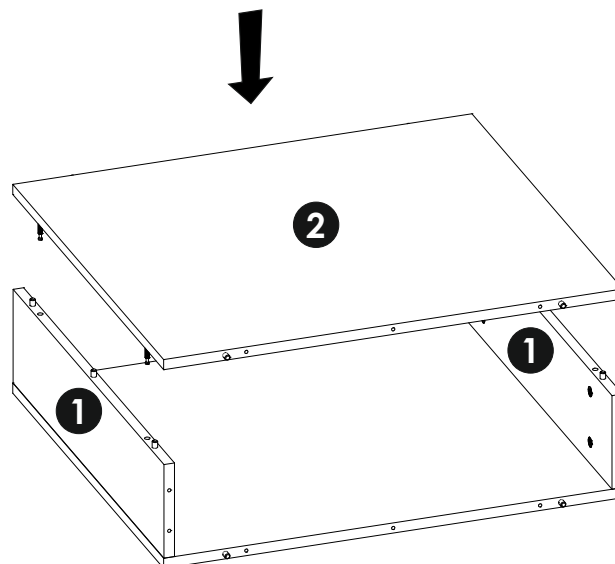
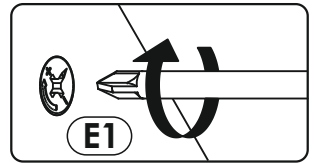
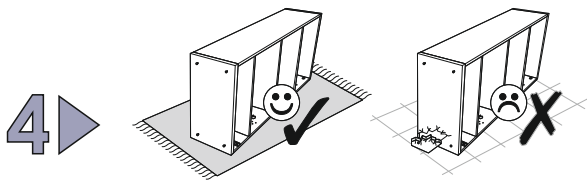
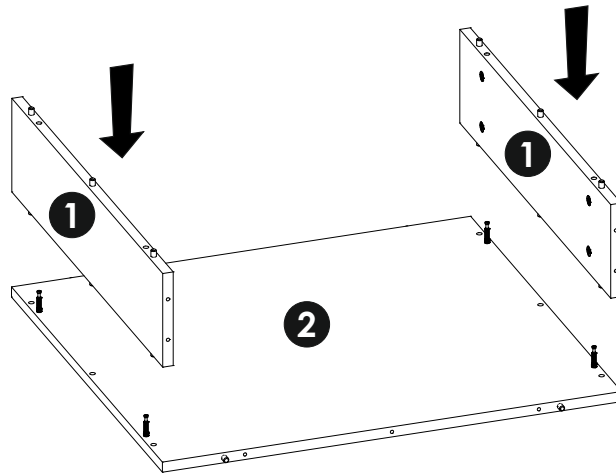
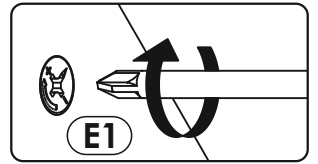
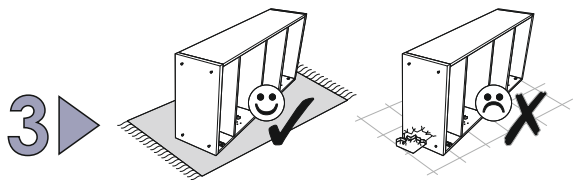
1	148	632	16	x2	2/2
2	700	632	16	x2	1/2
3	900	500	22	x1	2/2
4	1280	500	22	x2	2/2

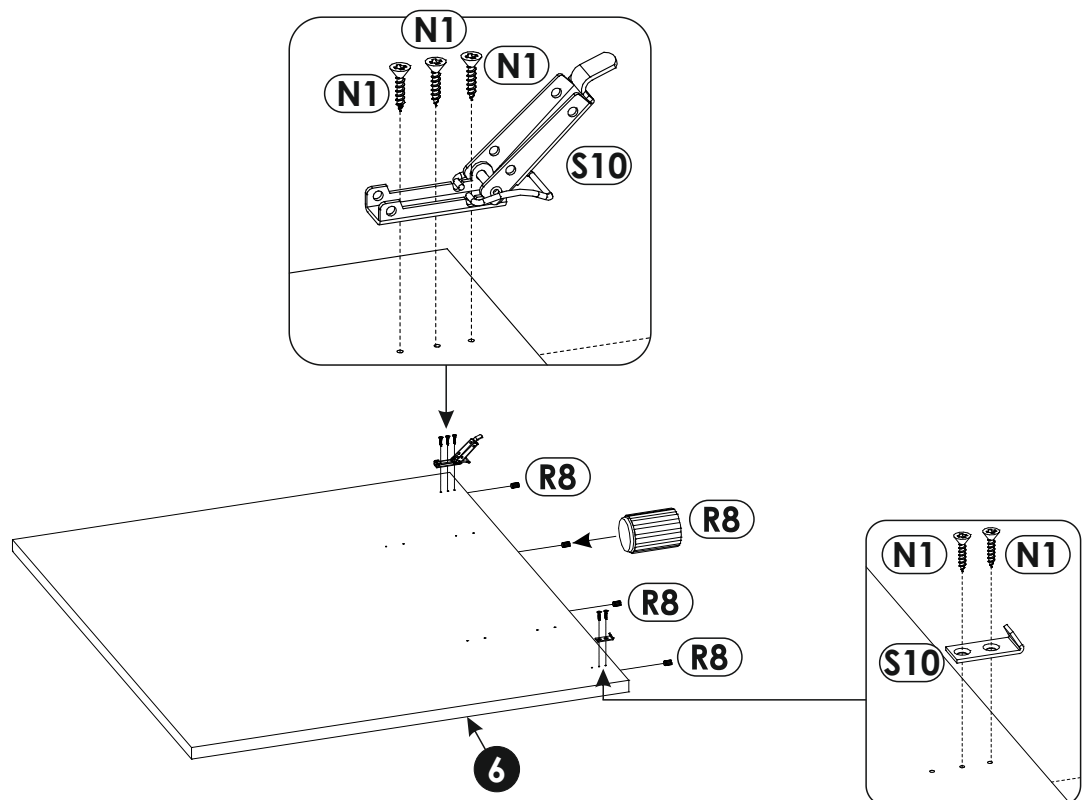
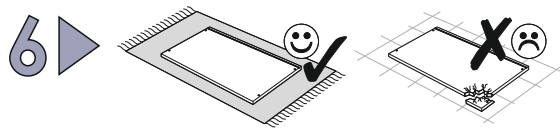
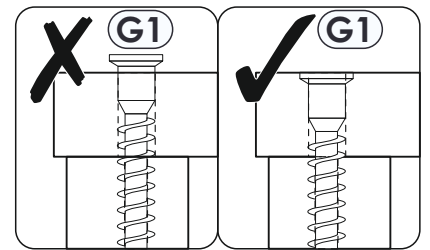
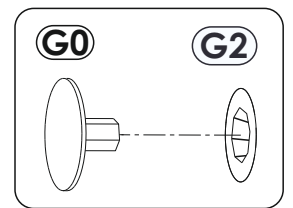
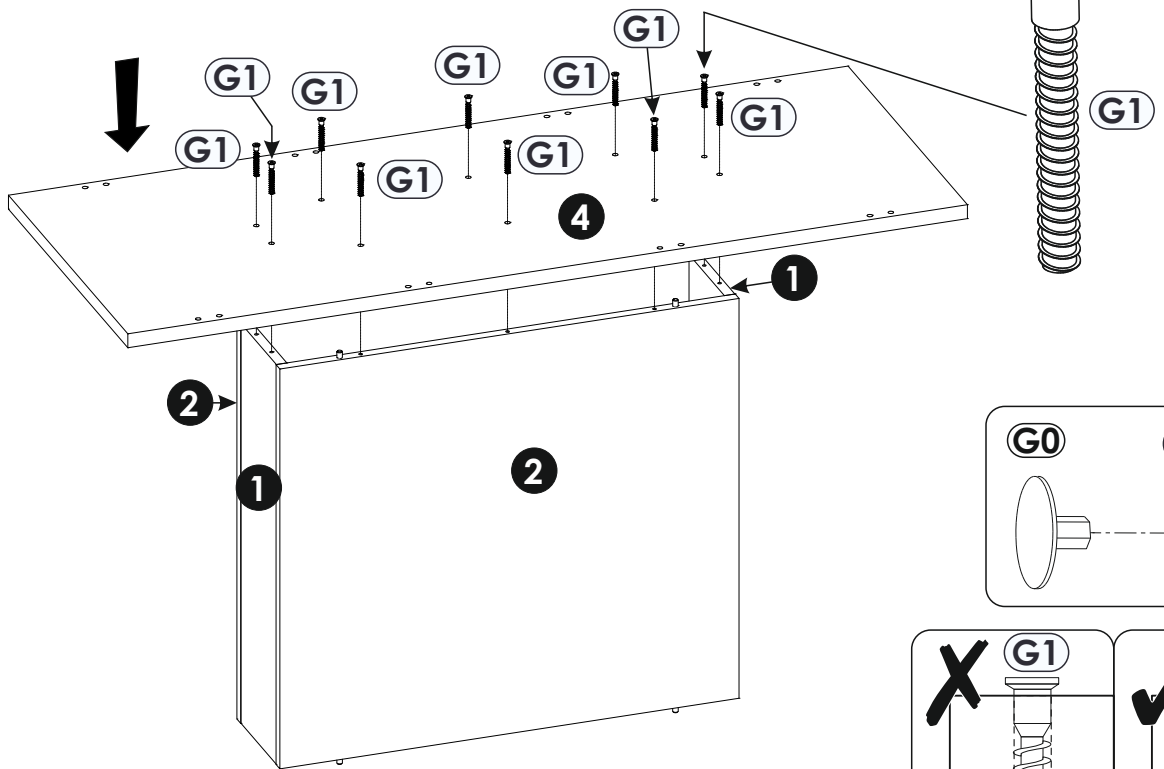
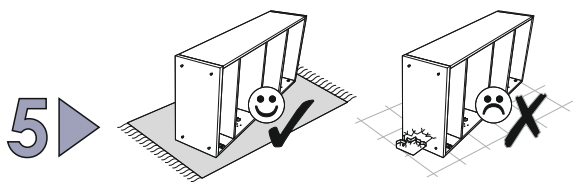
5	1280	60	22	x2	2/2
6	900	800	22	x2	1/2
7	900	400	22	x1	2/2

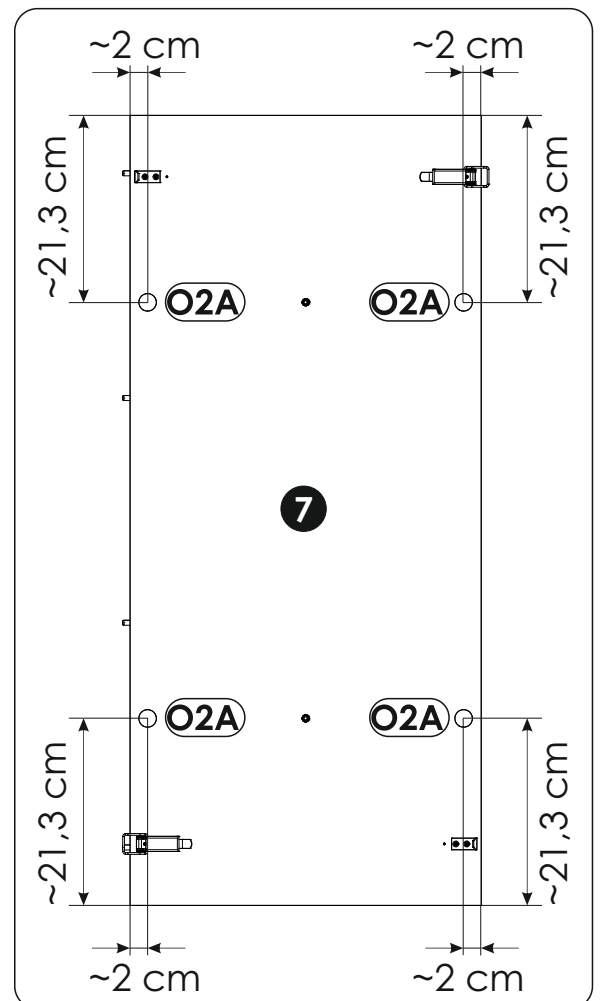
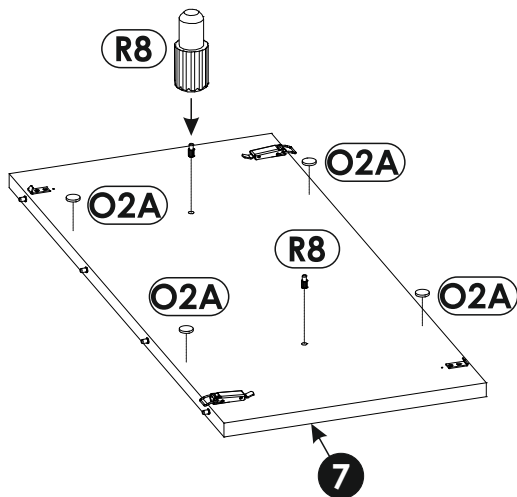
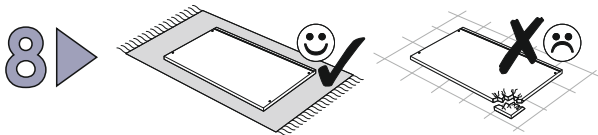
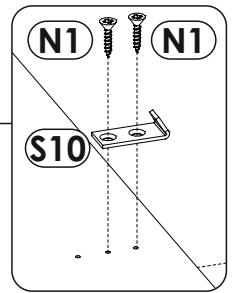
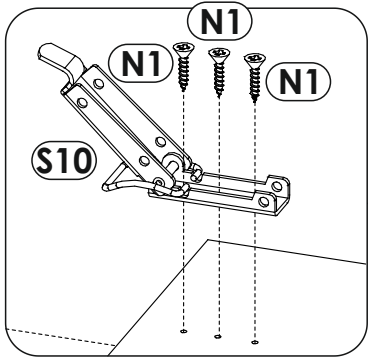
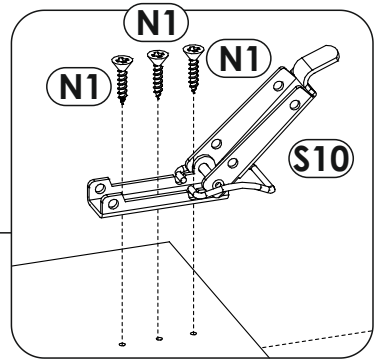
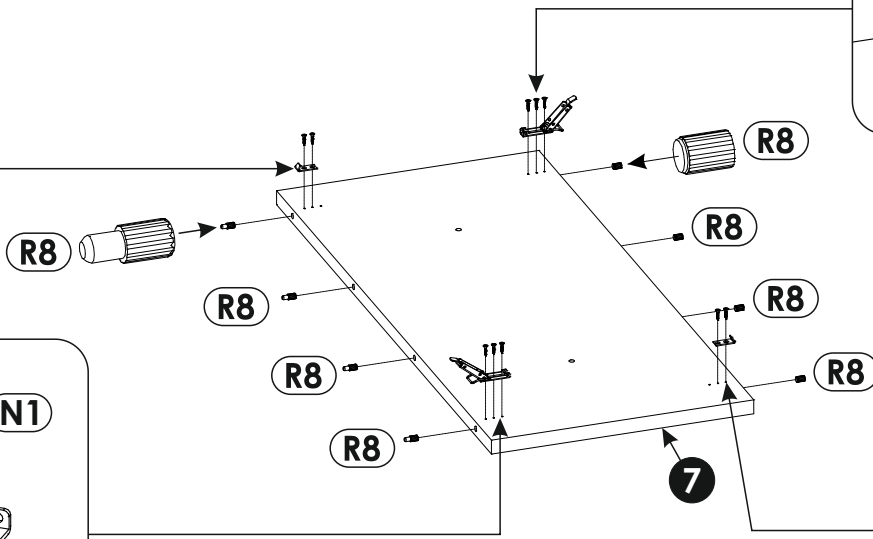
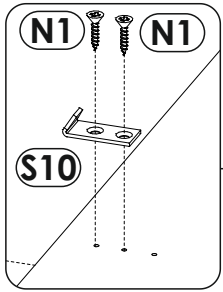
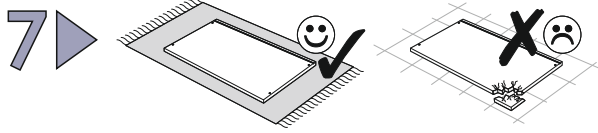


x2

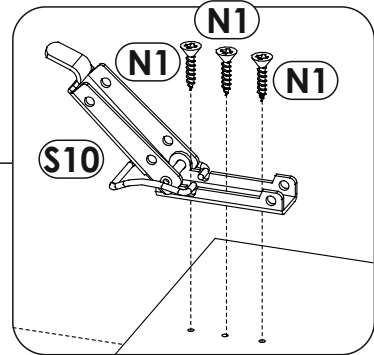
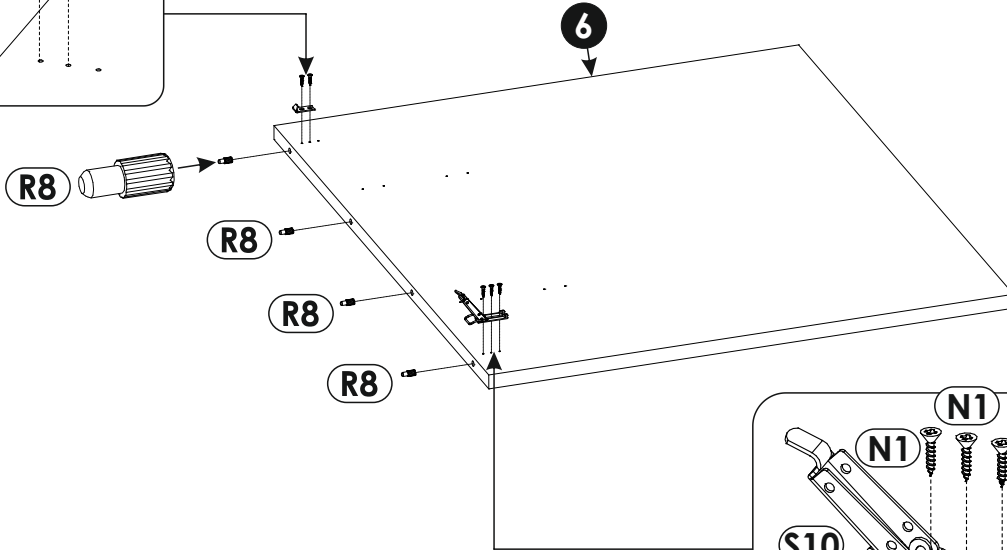
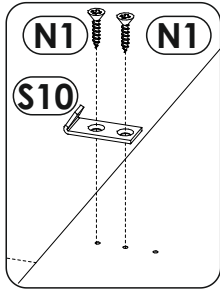
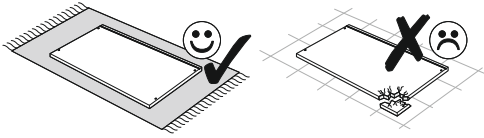




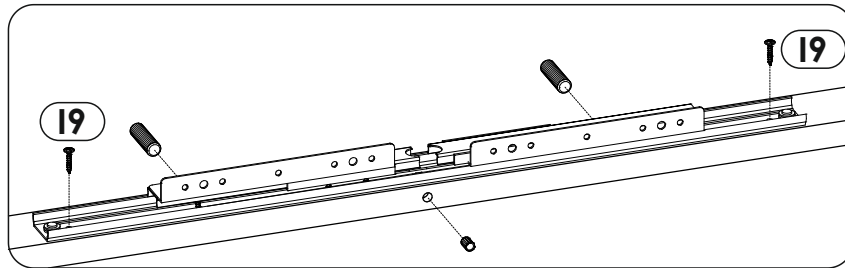
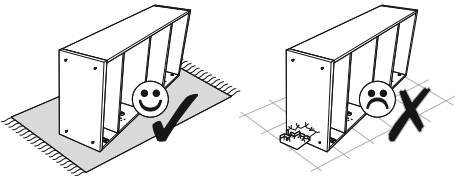




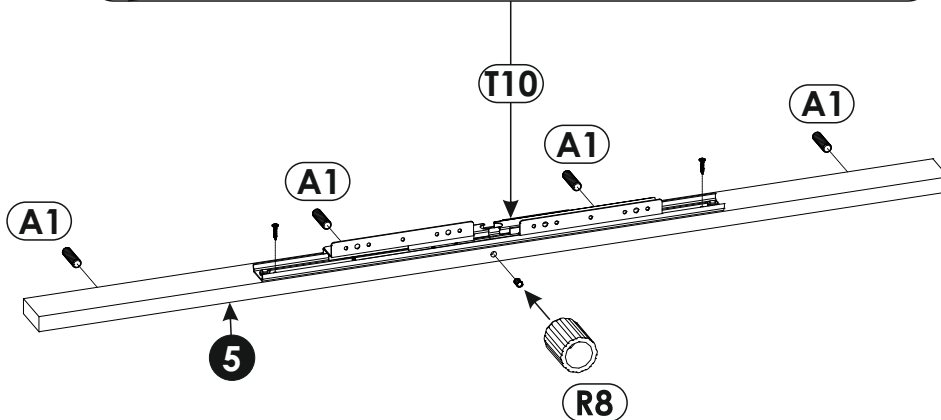
9 ▶

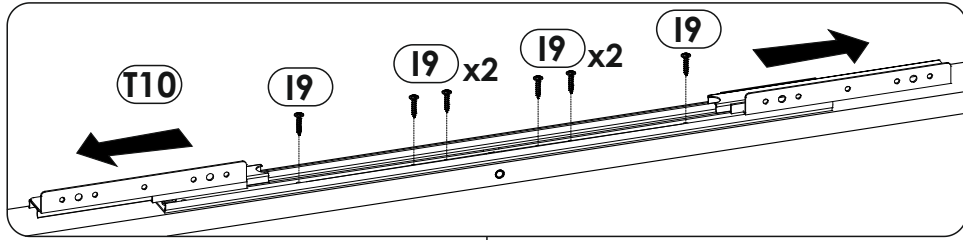
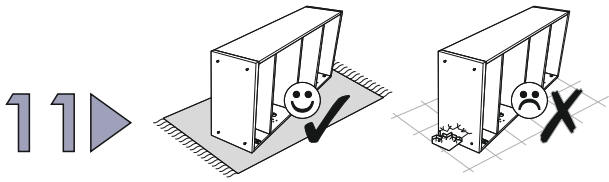


10 ▶

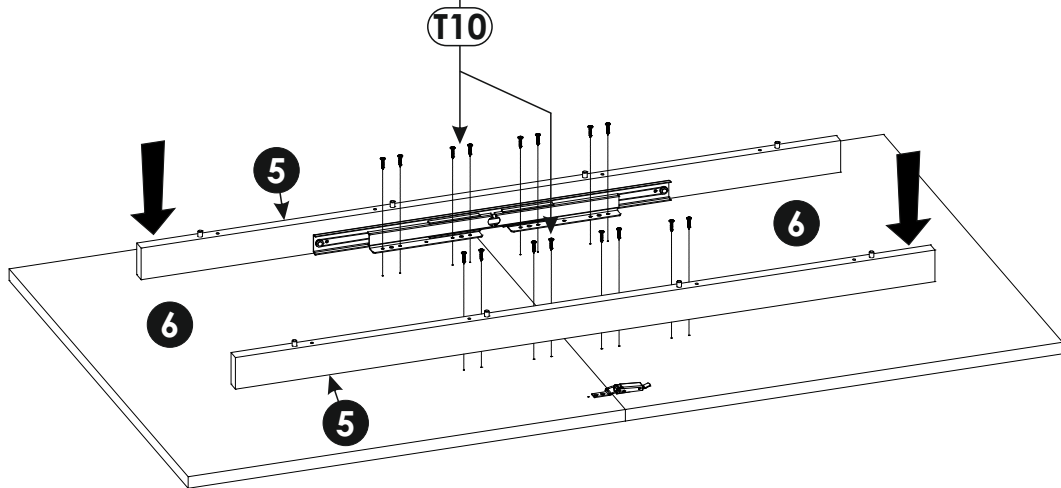
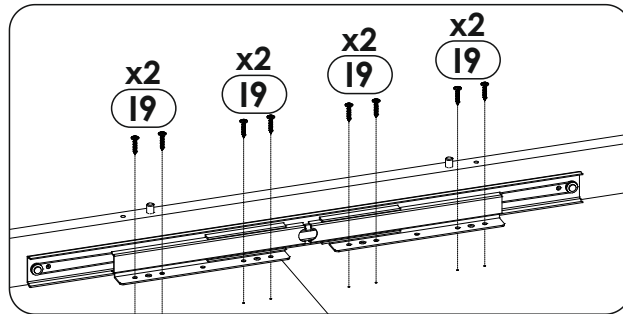
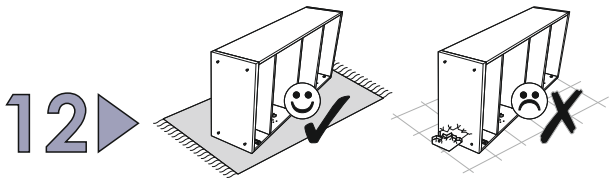
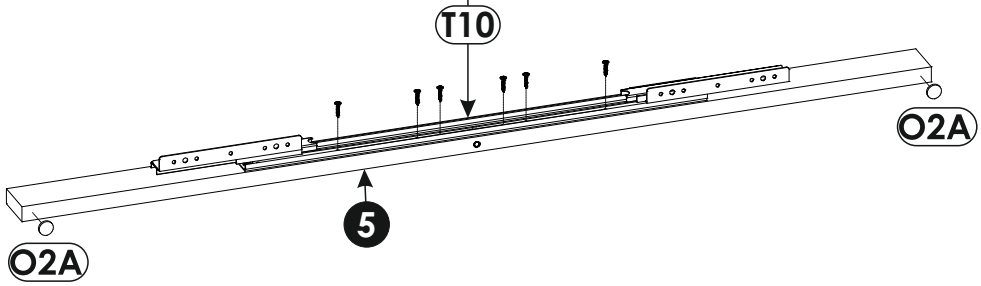


x2

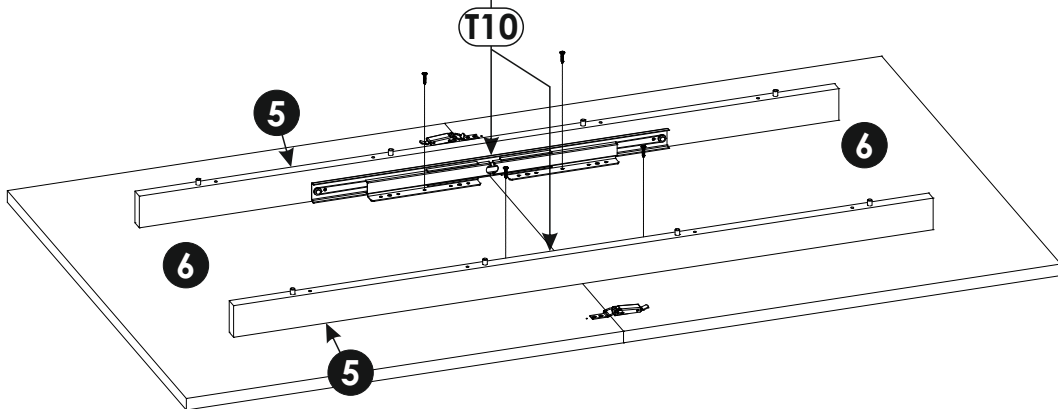
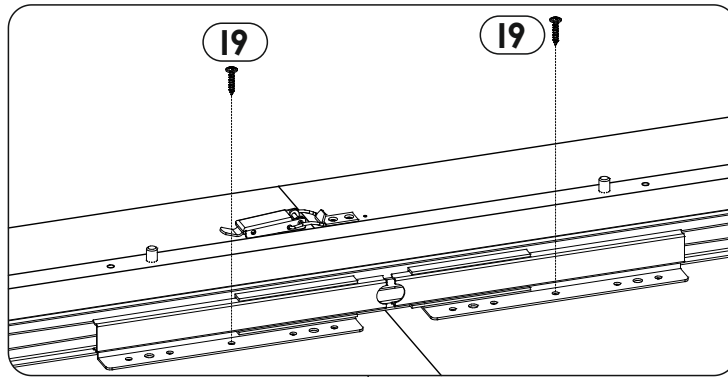
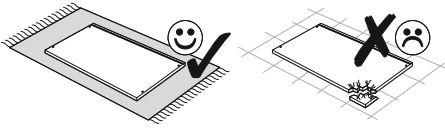




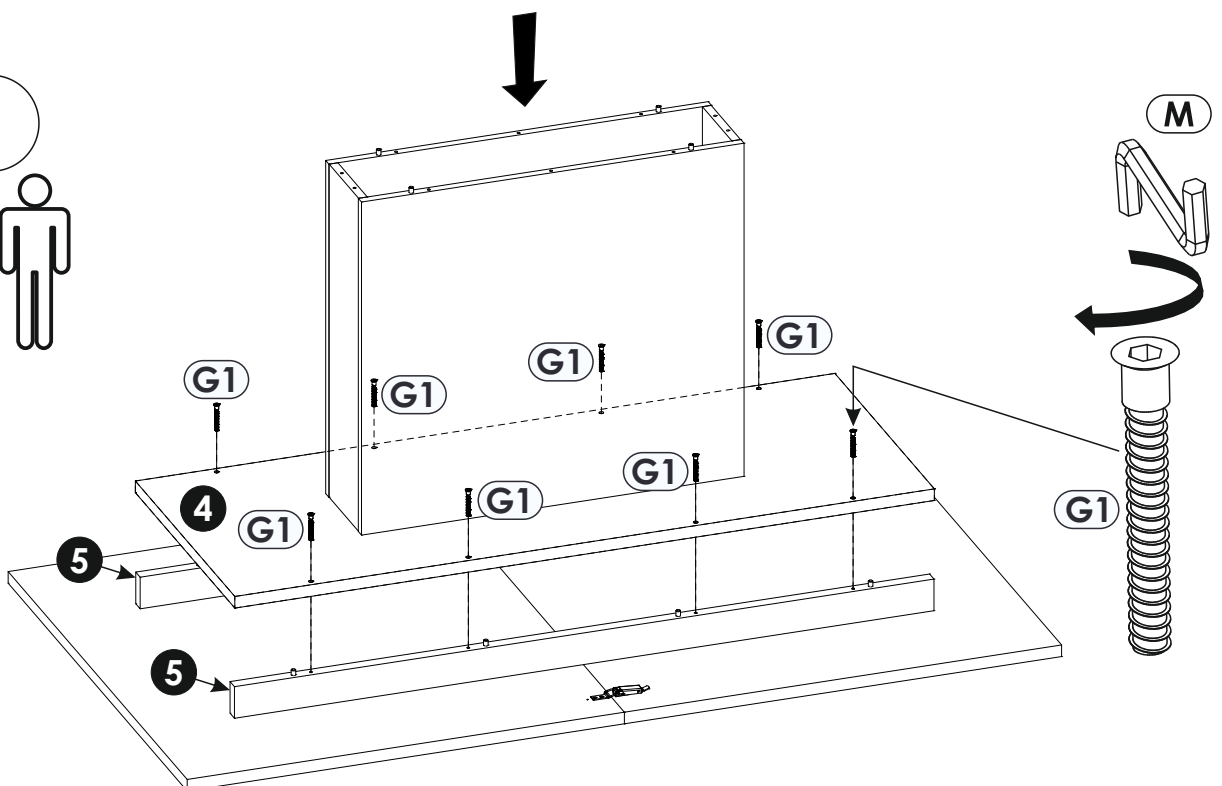
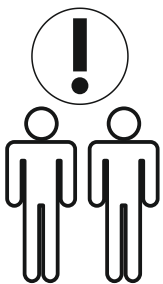
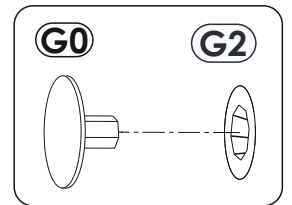
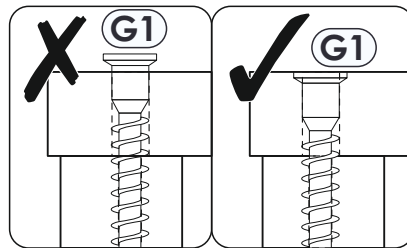
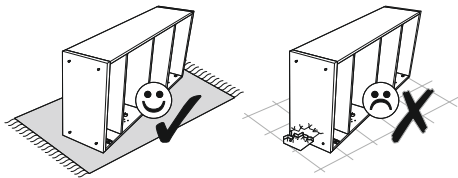
x2



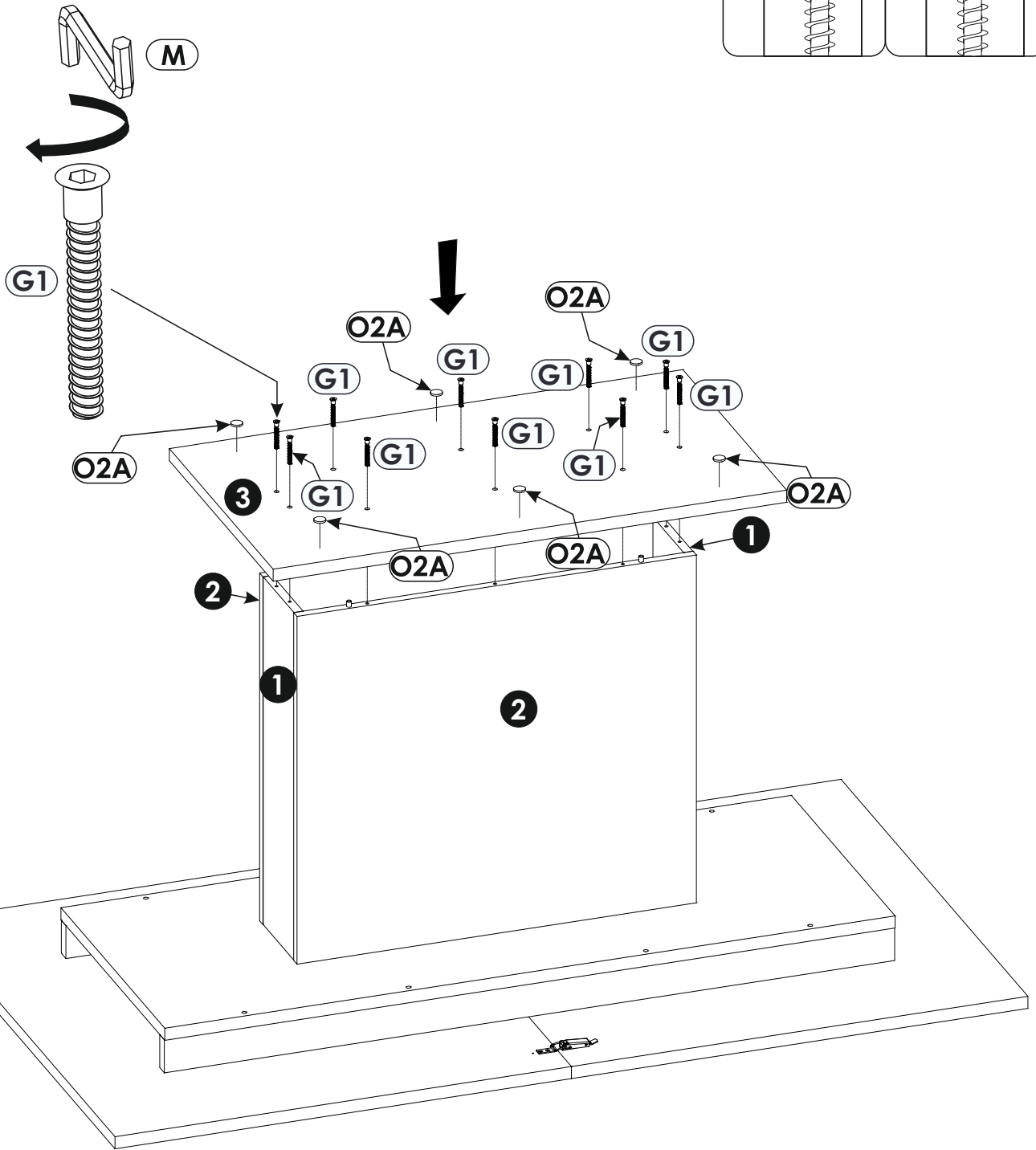
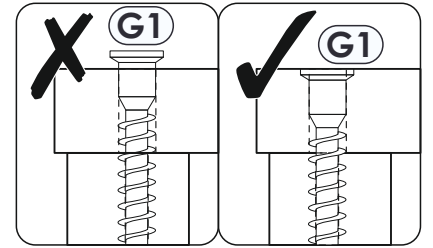
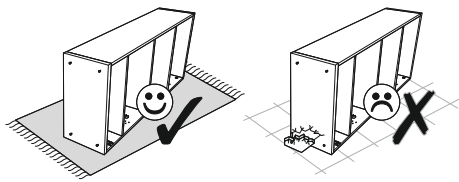
13 ▶



14 ▶



15 ▶



16 ▶

