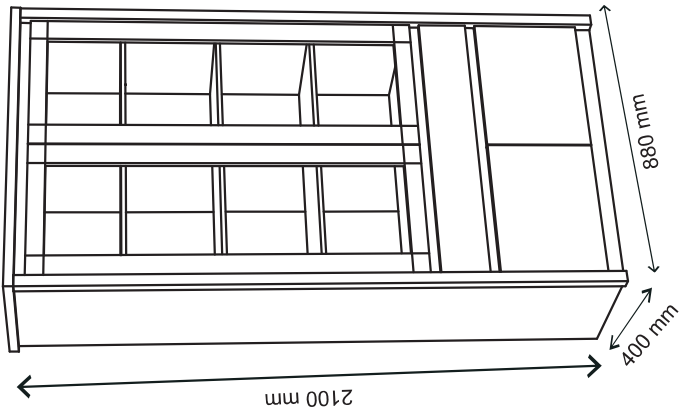
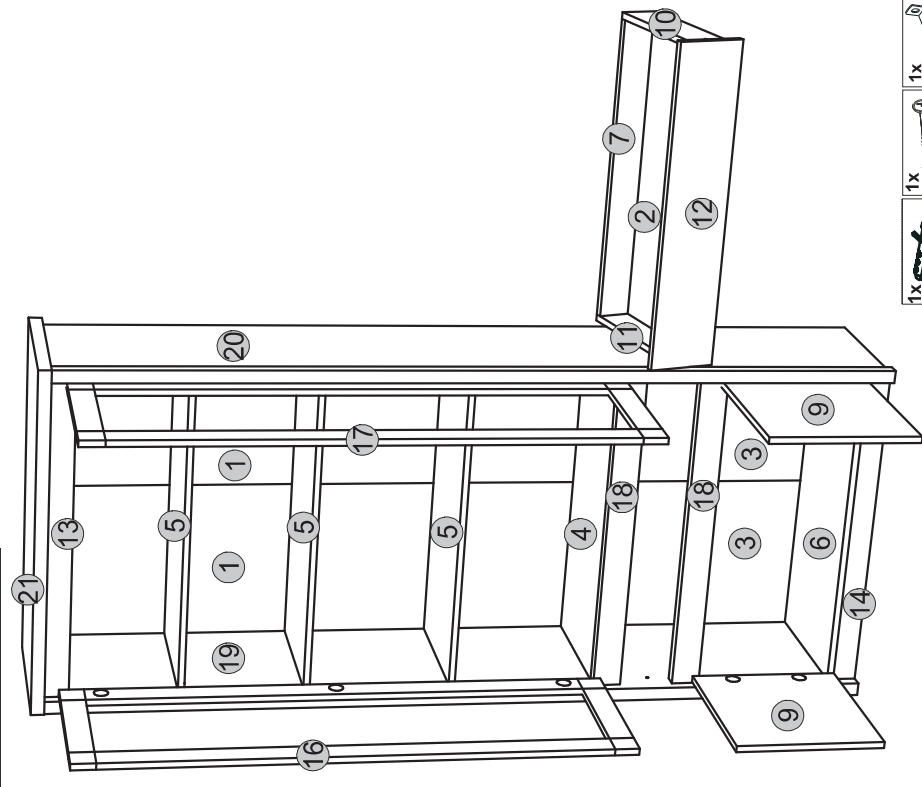
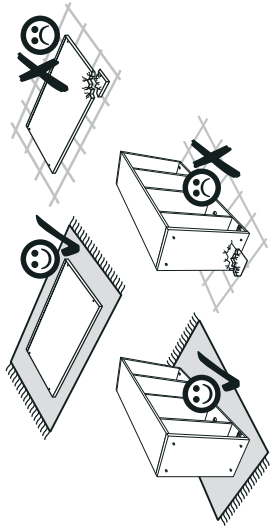
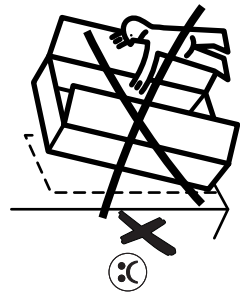
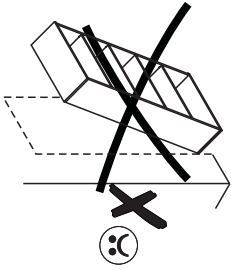
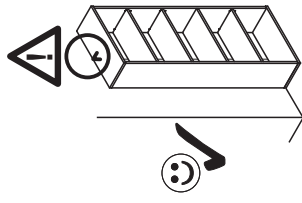
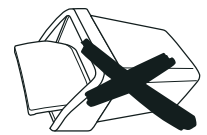
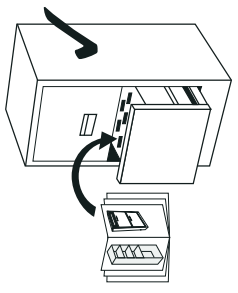
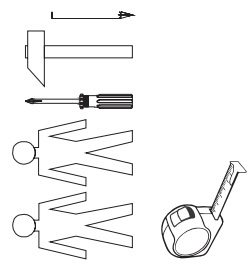
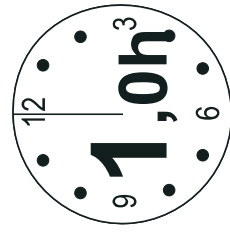
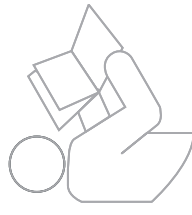


Installation manual

NORTON: WIT_WYS_2W2D1S

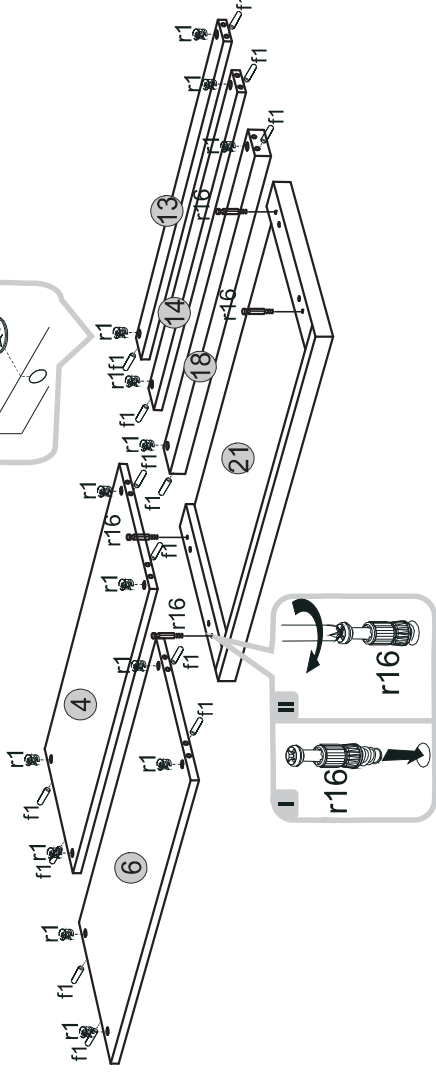
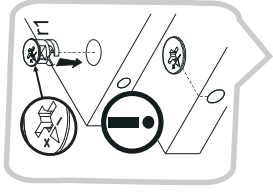


Element symbol	Dimensions	Code	Package			
1	415	3	2	K-627	1/1	
2	771	332	3	1	K-628	1/1
3	626	415	3	2	K-629	1/1
4	814	345	16	1	K-331	2/2
5	814	345	4	3	K-332	5/5
6	814	369	16	1	K-334	2/2
7	757	100	16	1	K-537	2/2
8	757	100	16	1	K-538	2/2
9	376	403	16	2	K-018	4/4
10	350	100	16	1	K-539	2/2
11	350	100	16	1	K-540	2/2
12	170	808	16	1	K-019	4/4
13	60	814	16	1	K-430	2/2
14	60	814	16	1	K-431	2/2
15	60	318	16	1	K-432	2/2
16	1354	403	16	1	K-020	3/3
17	1354	403	16	1	K-021	3/3
18	70	814	30	2	K-433	2/2
19	2068	398	16/32	1	K-138	1/1
20	2068	398	16/32	1	K-139	1/1
21	880	400	16/32/32	1	K-212	2/2

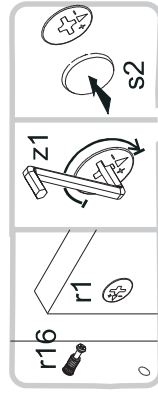
1x		f3	φ10 mm	1x		p17	φ5x50 mm	1x		nl4	
20x		s2	φ16	1x		z1		12x		e3	φ5.17 mm
4x		p52	φ20.01.007	32x		p25	φ3.5x16 mm	2x		p21	φ4x30 mm
6x		e1	φ7x10 mm	20x		r1	φ1.5x2mm r1.6	20x		r16	
4x		k1		10x		al43		10x		b119	



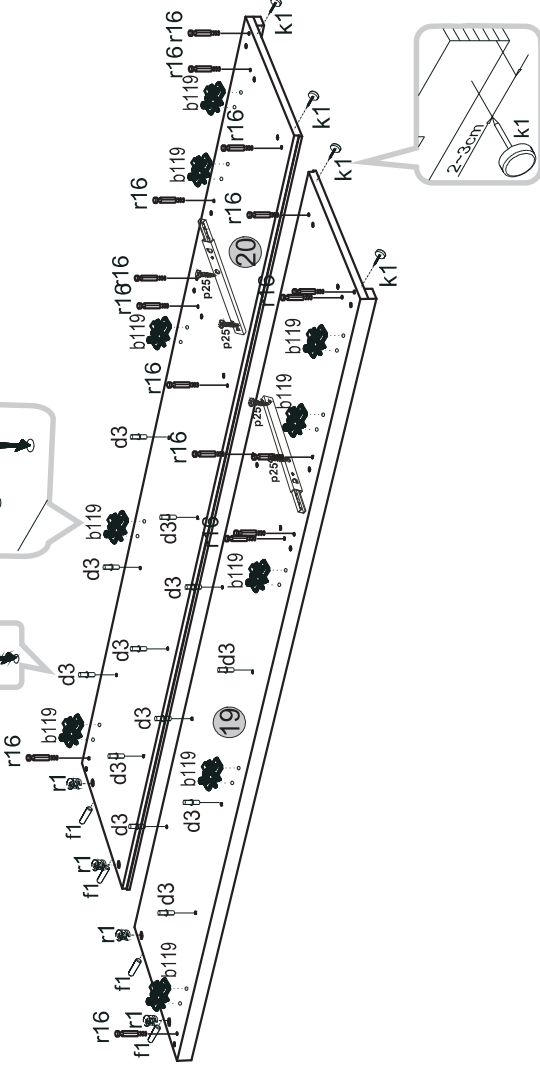
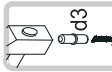
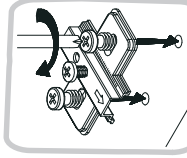
3



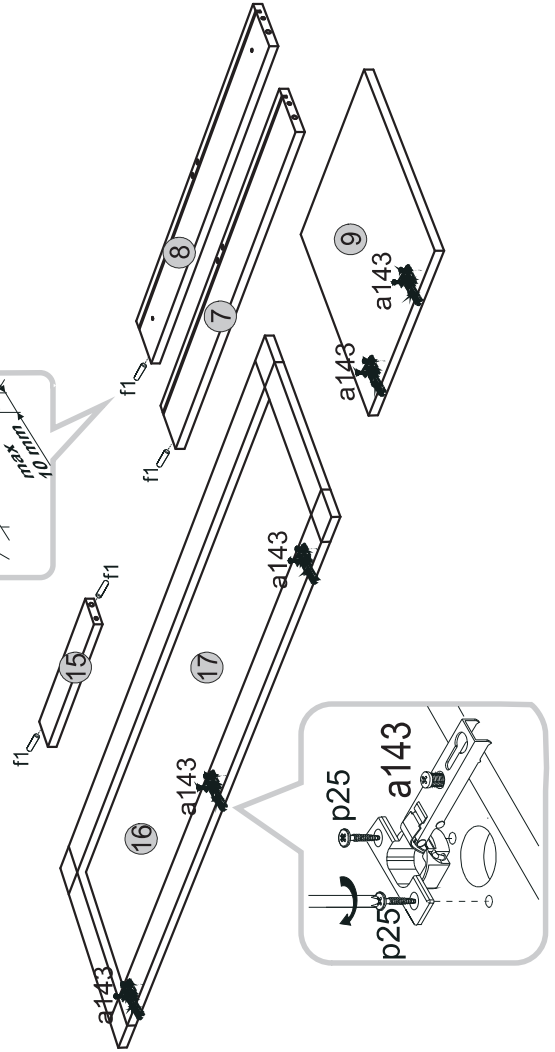
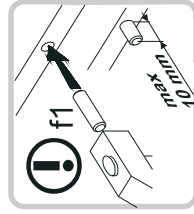
4



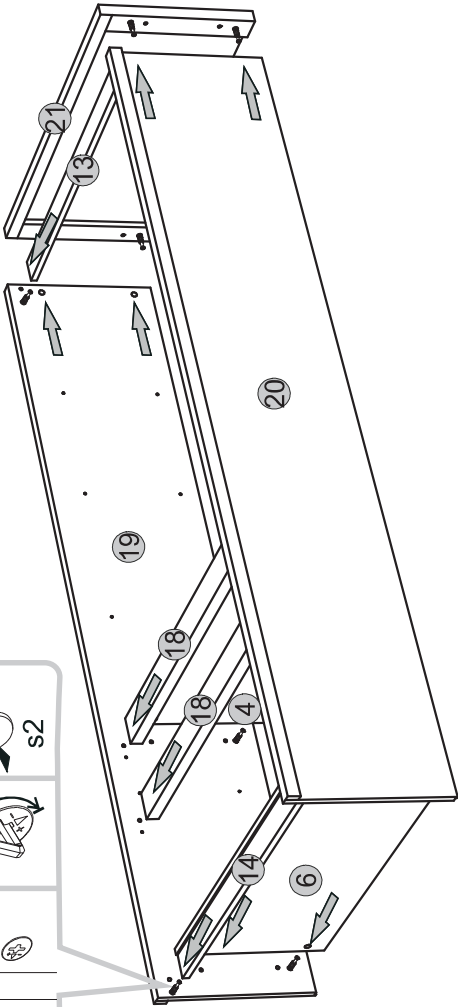
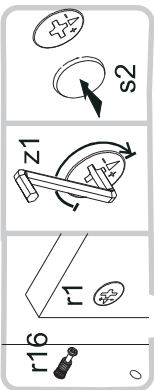
1



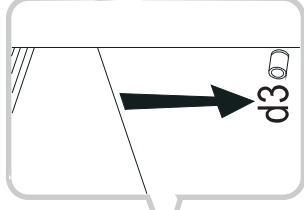
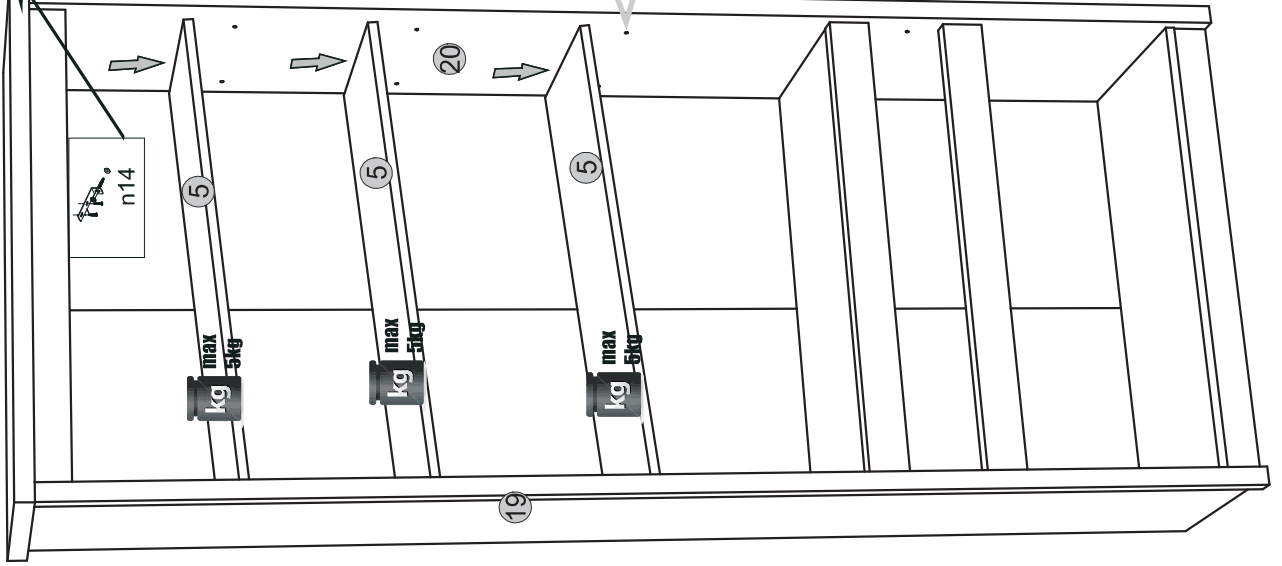
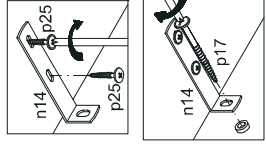
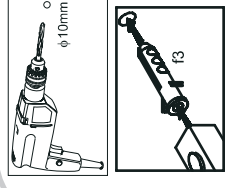
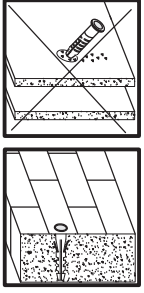
2



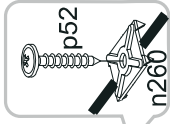
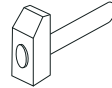
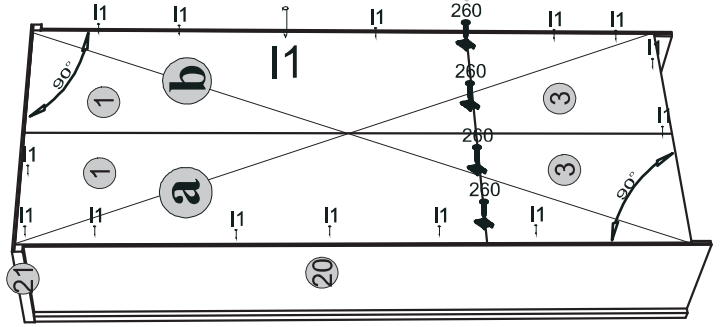
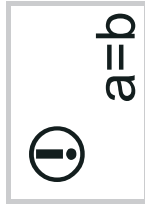
5



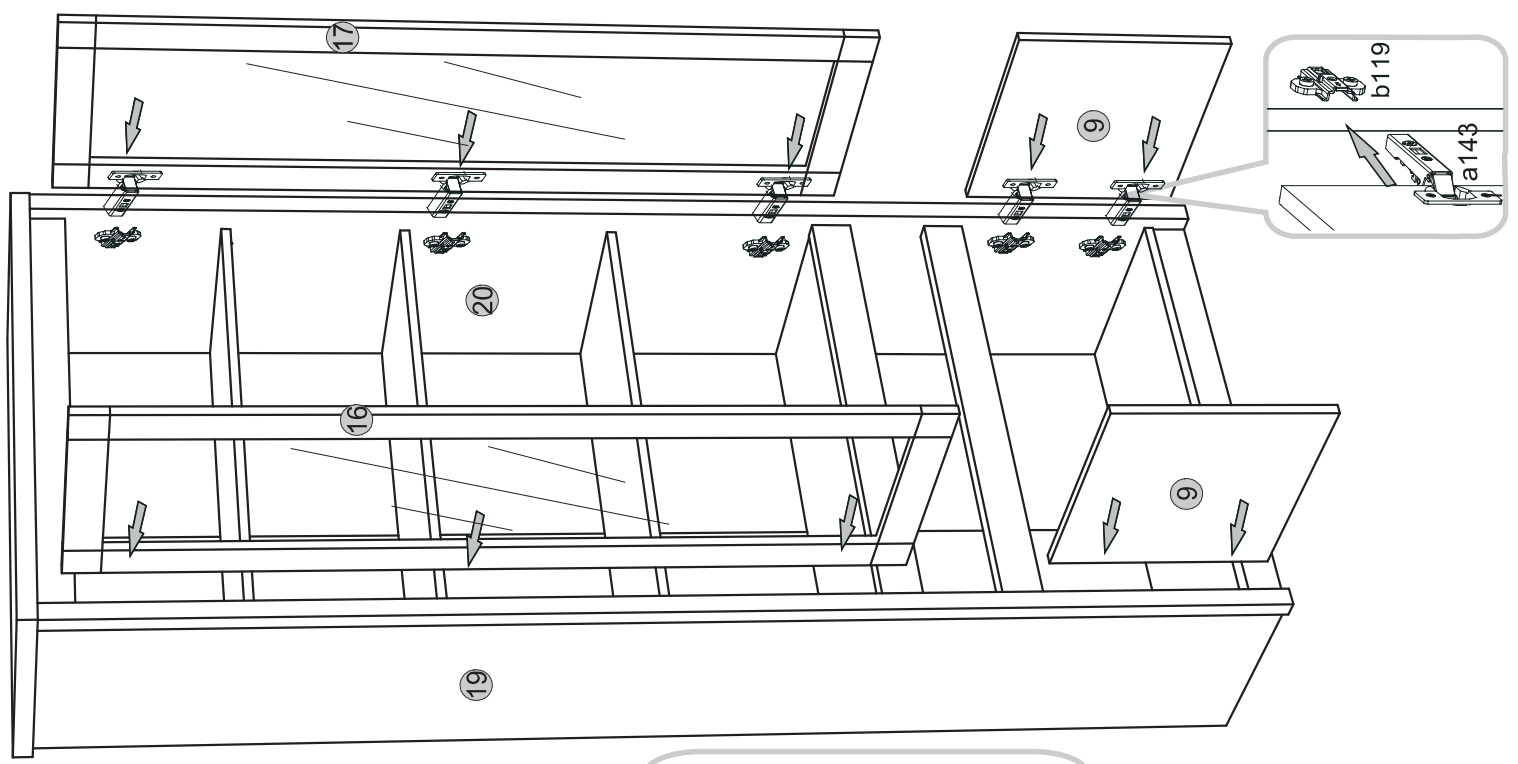
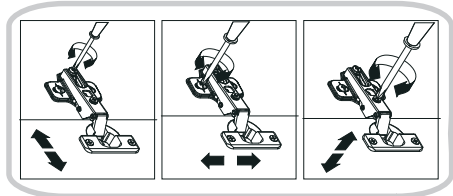
7



6



8



9

