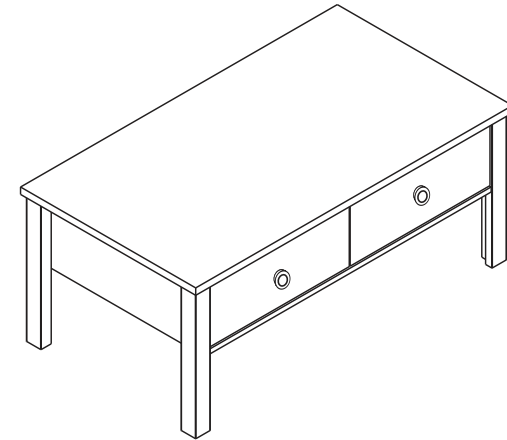
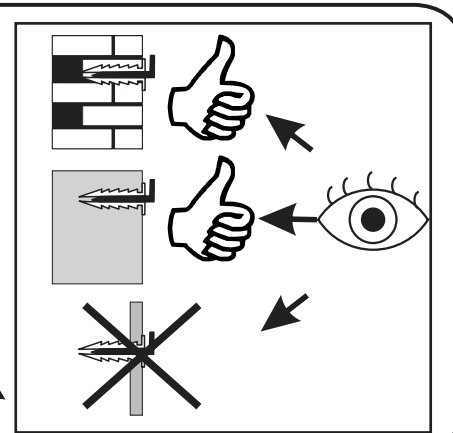
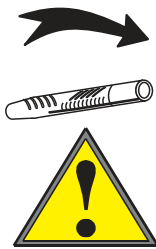
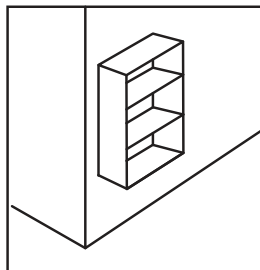
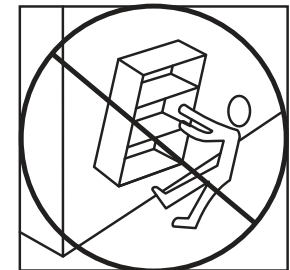
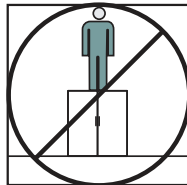
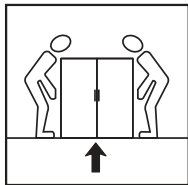
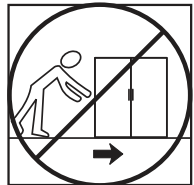
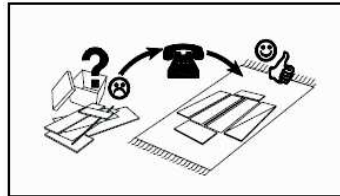
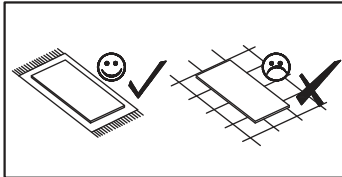
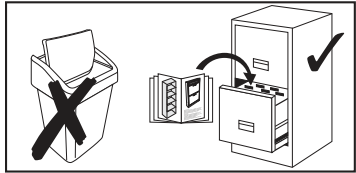
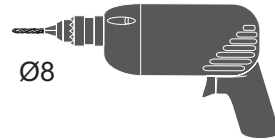
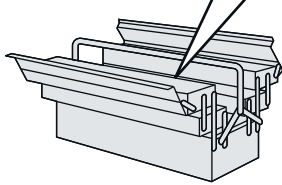
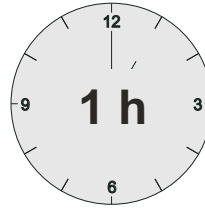
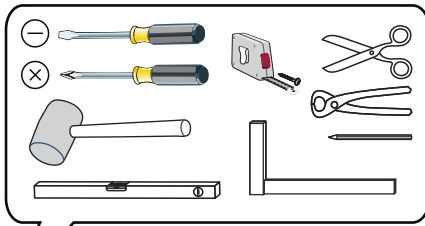
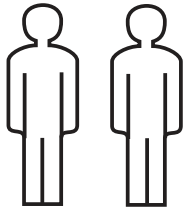


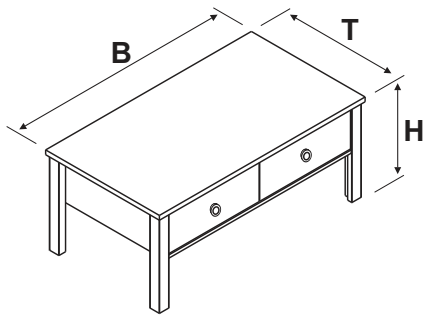
COUNTRY

9X--CT 97

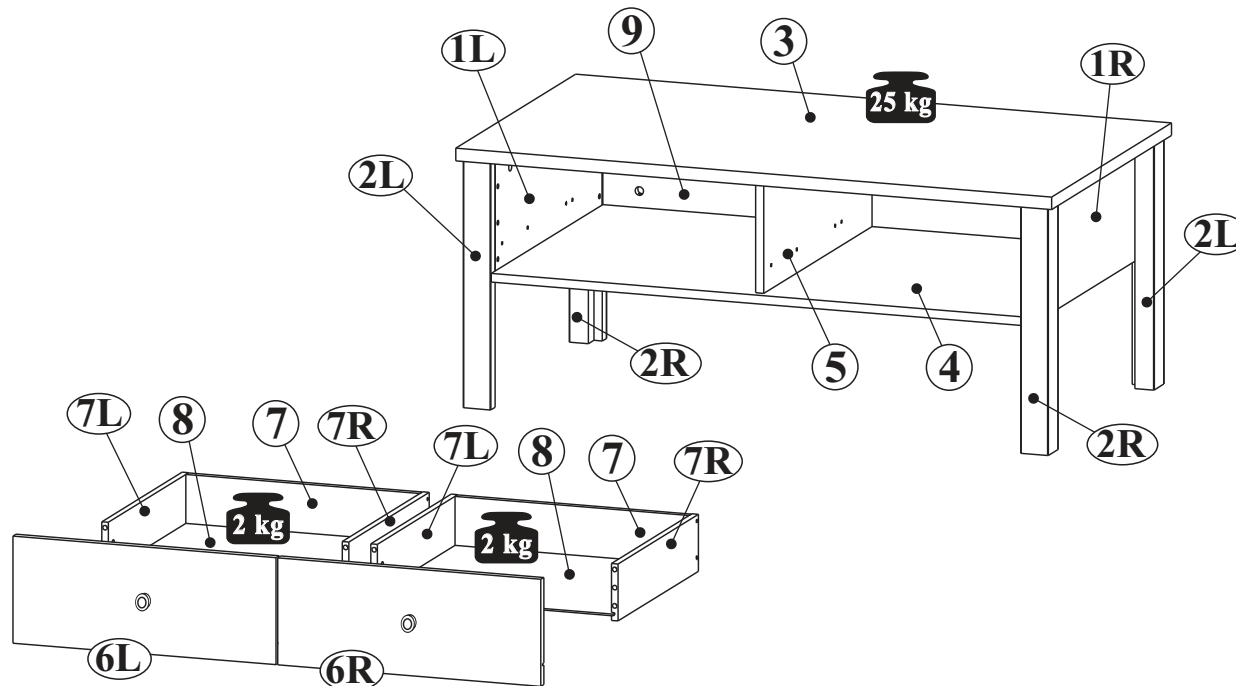
1 / 6



B - 1085mm
H - 462mm
T - 600mm



B - 1085mm
H - 462mm
T - 600mm






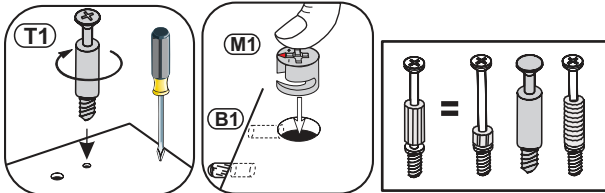
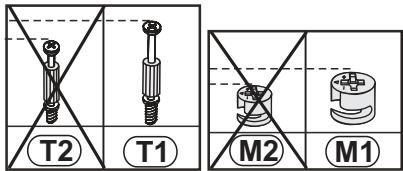
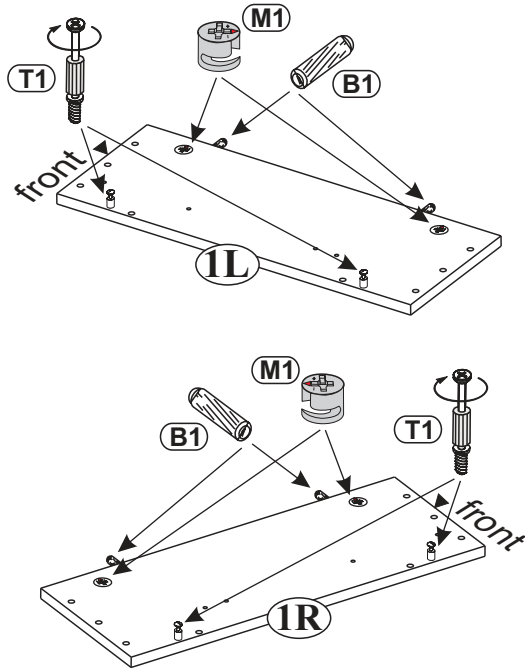
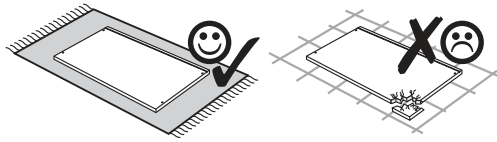
- NR 1**
- B1** ϕ 8x28 x16
 - M1** x18
 - T1** x18
 - J23** x4
 - K9** 7x35 x12
 - F15** x4
 - G7** S4 x1
- NR 3**
- U61** x2
 - A14** M4x23 x2

- NR 2**
- R23** L-400 mm x2L/2R
 - E2** 6x11 x6
 - E4** 6x8 x6
 - P3** 3x13mm x8
 - S3** 3,5x13 x4
 - M2** ϕ 12x10mm x4
 - T2** 5x35mm x4
 - P5** 4x30 x8






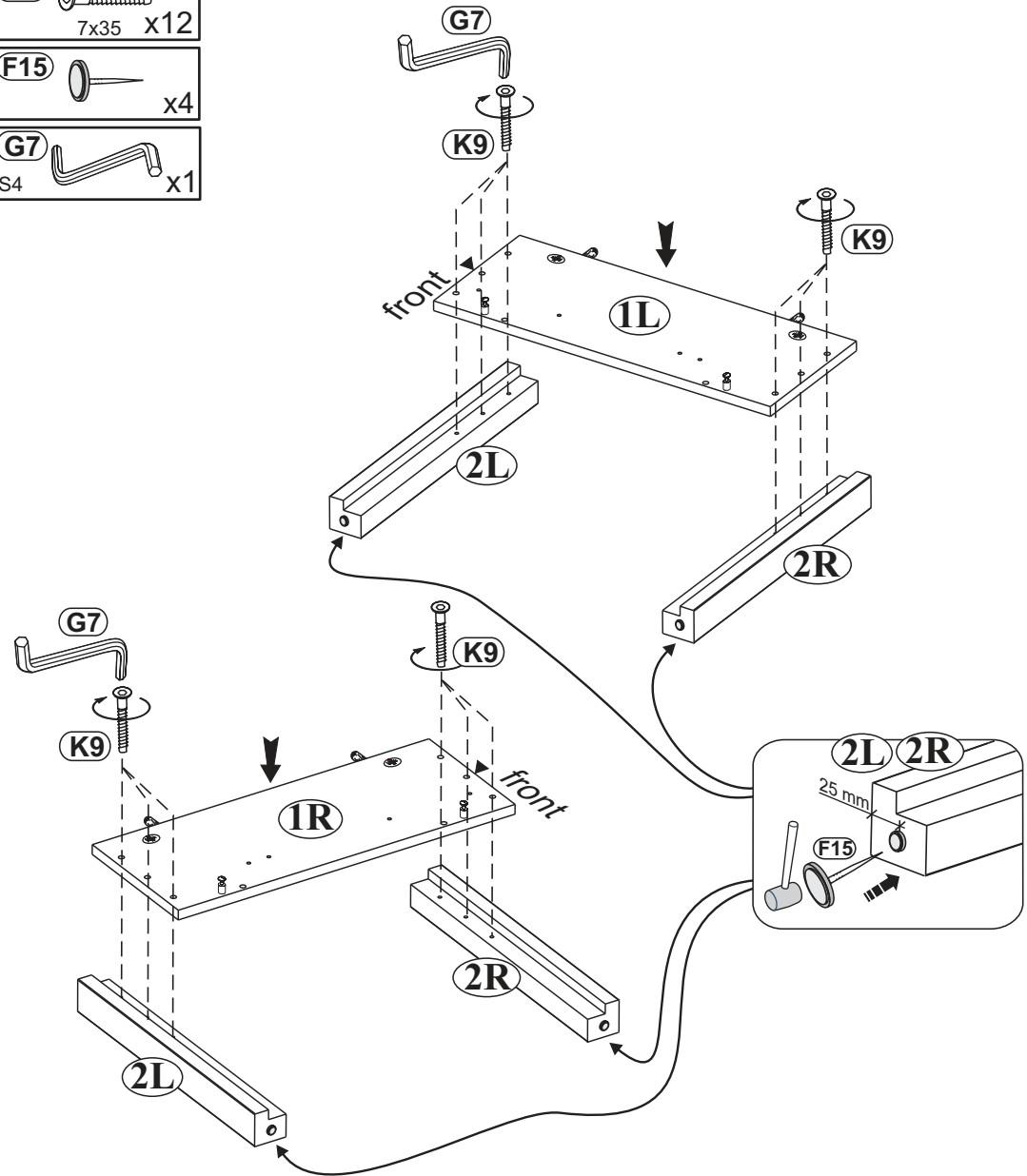
1

- B1**  ϕ 8x28 x4
- M1**  x4
- T1**  x4




2

- K9**  7x35 X12
- F15**  x4
- G7**  S4 x1

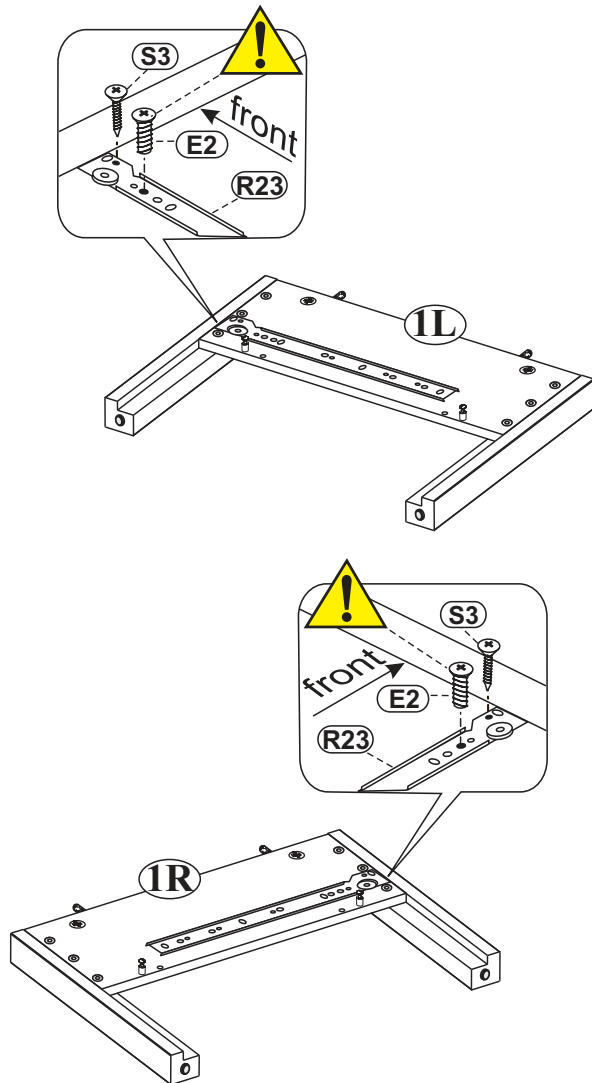


3

R23 L-400 mm
x1L/1R

E2 6x11 x6 

S3 3,5x13 x2

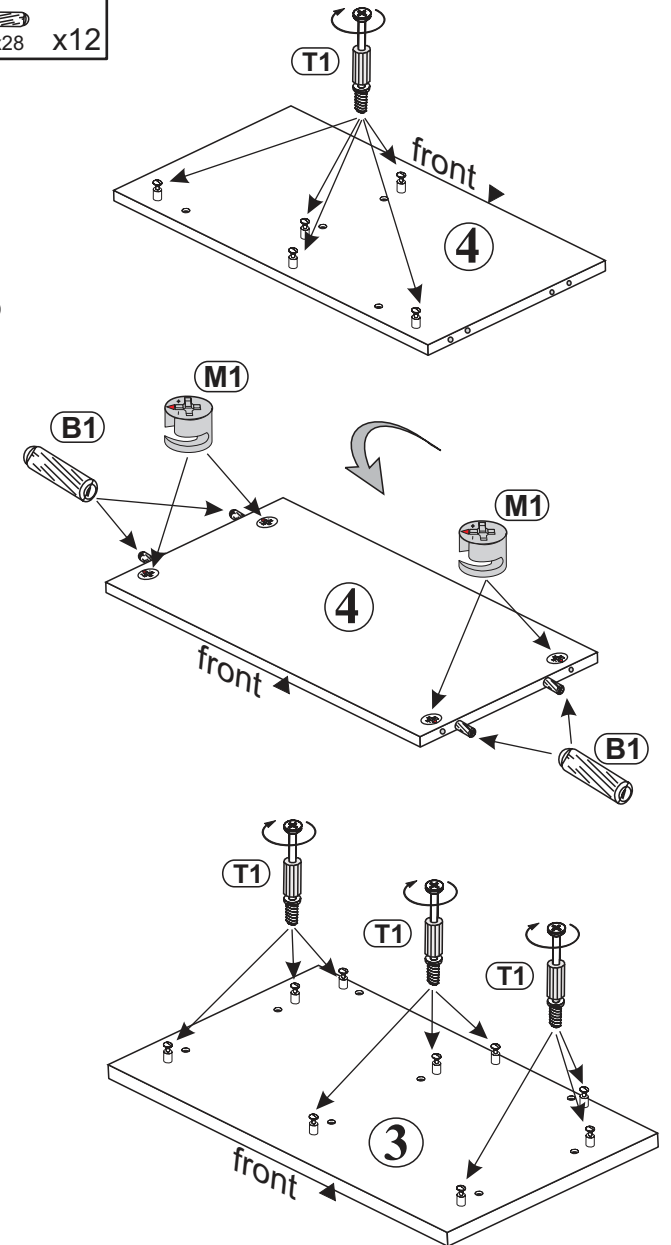
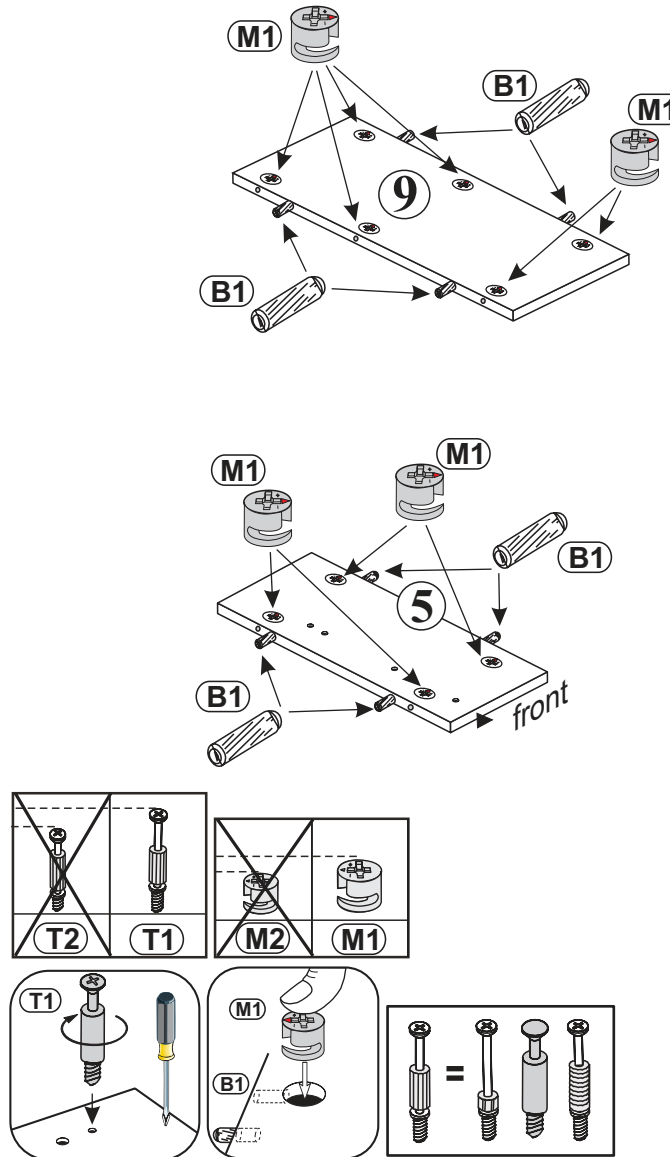


4

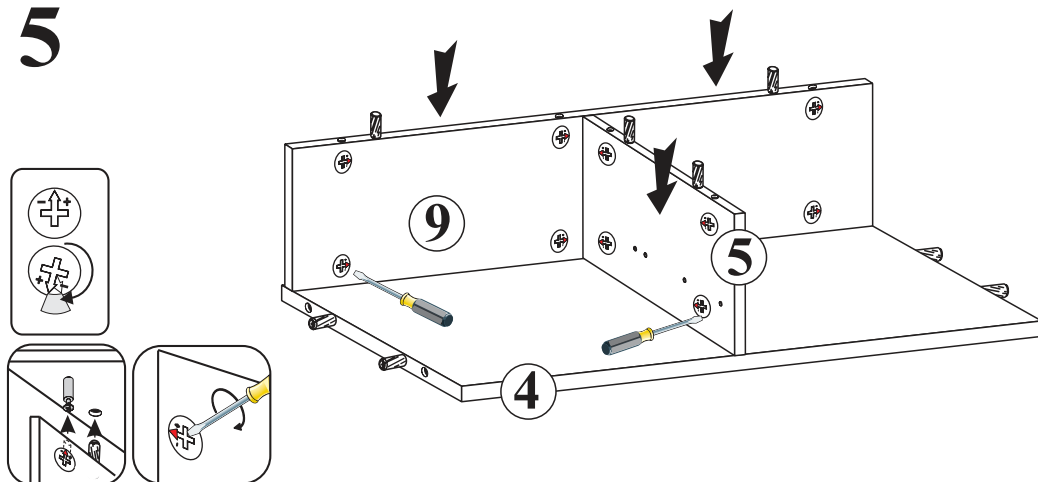
M1 x14

T1 x14

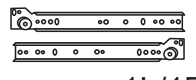

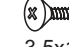
B1 ϕ 8x28 x12

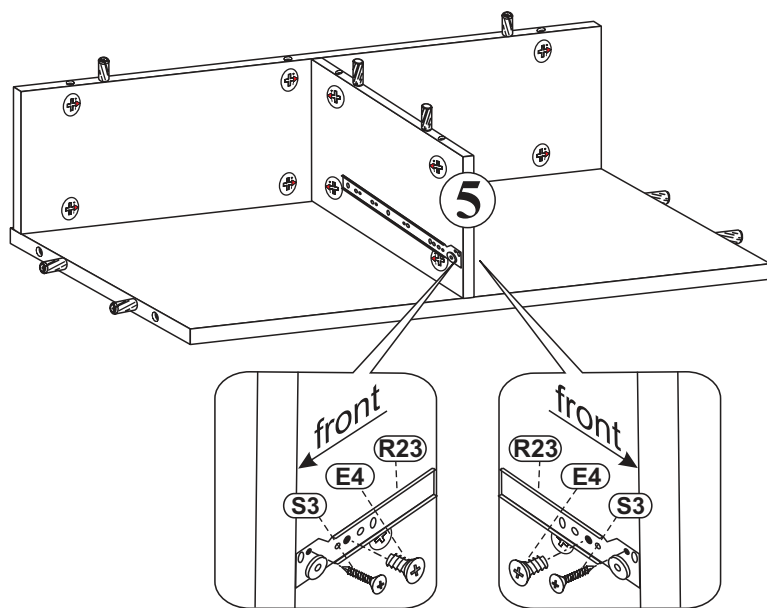


5

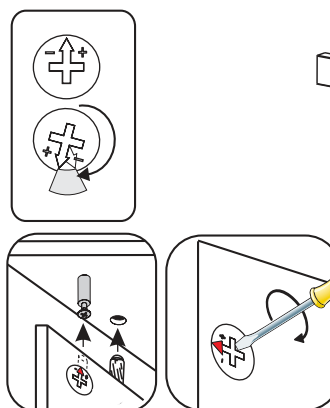
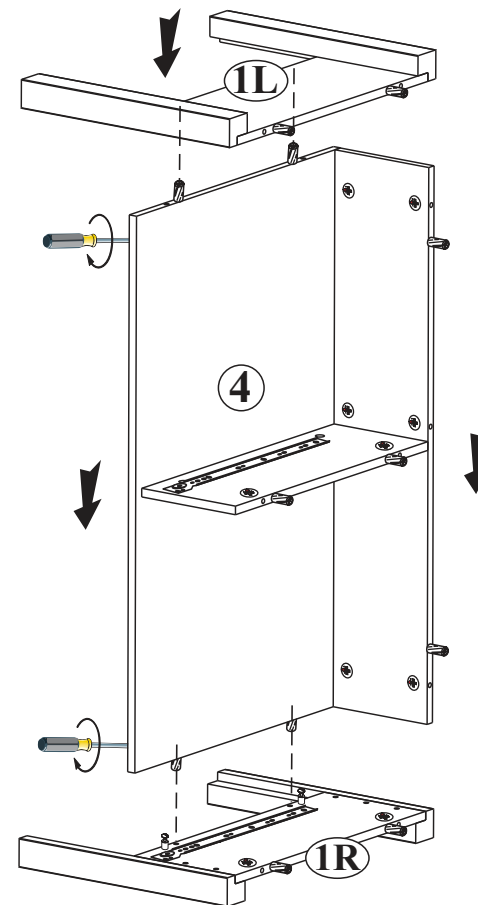


6

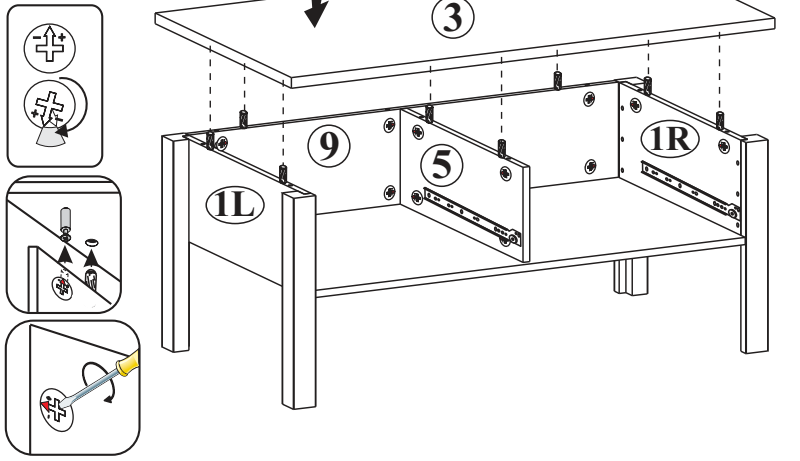
- | | |
|--|---|
| R23 L-400 mm

x1L/1R | E4  6x8 x6 |
| | S3  3,5x13 x2 |



7

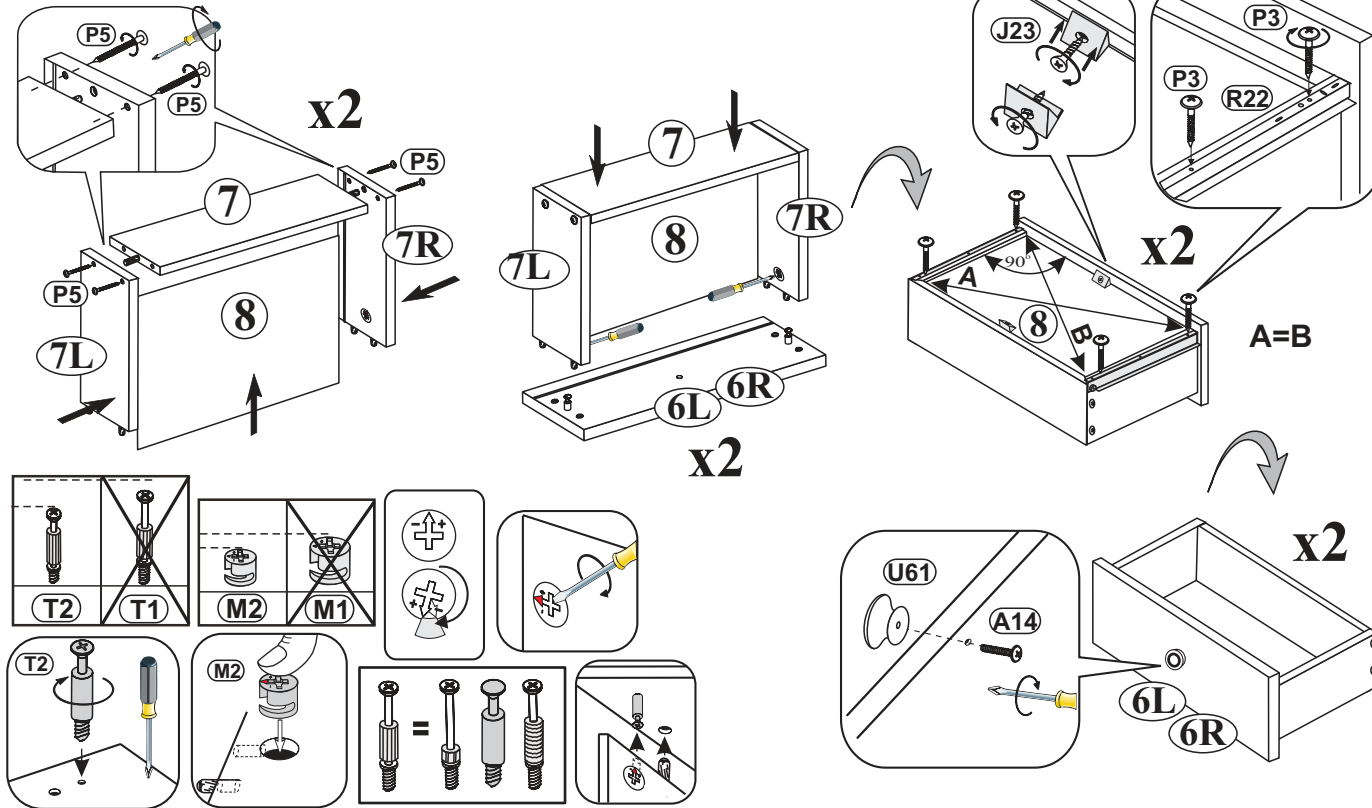
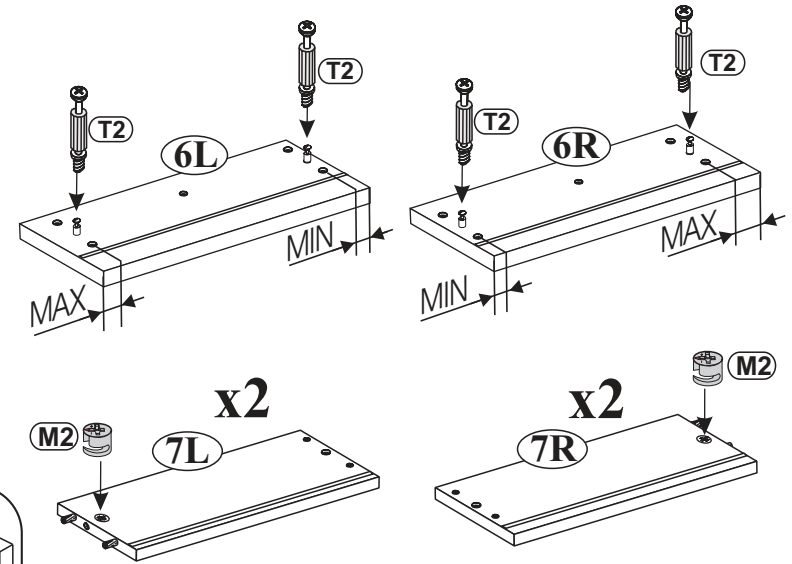


8



9

- M2** $\phi 12 \times 10 \text{ mm}$ x4
- T2** 5x35mm x4
- P5** 4x30 x8
- U61** x2
- A14** M4x23 x2
- R23** L-400 mm x2L/2R
- P3** 3x13mm x8



10

