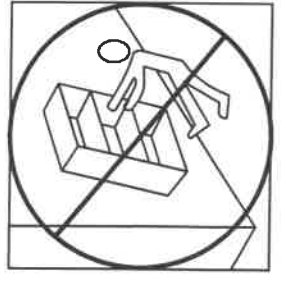
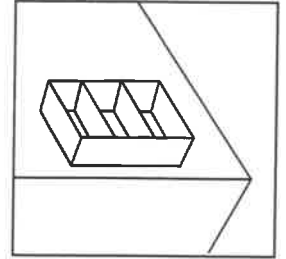
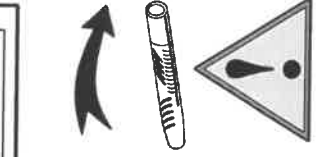
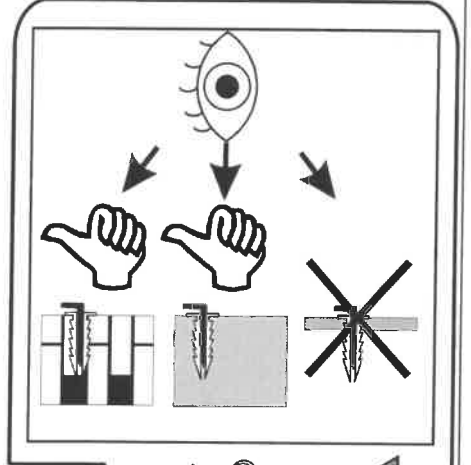
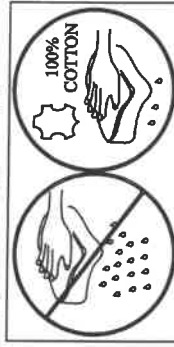
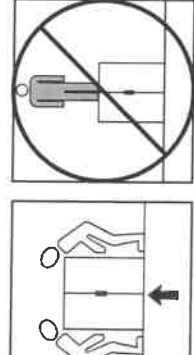
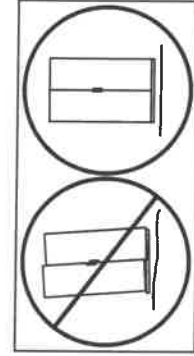
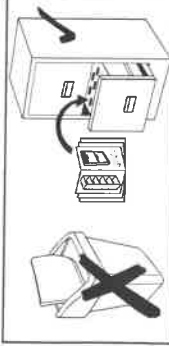
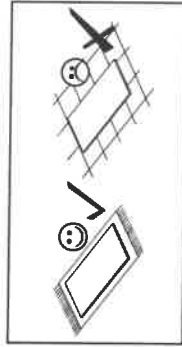
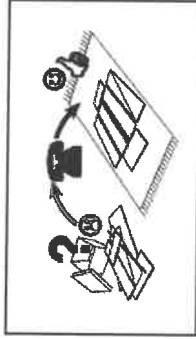
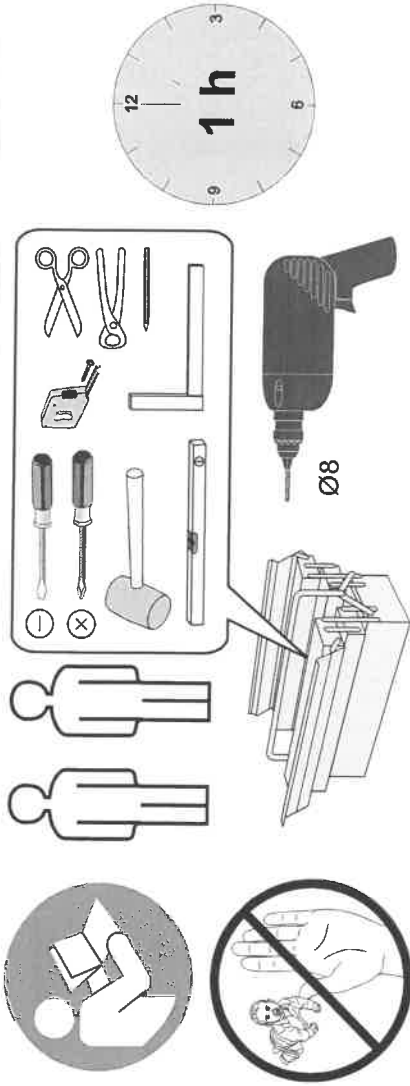
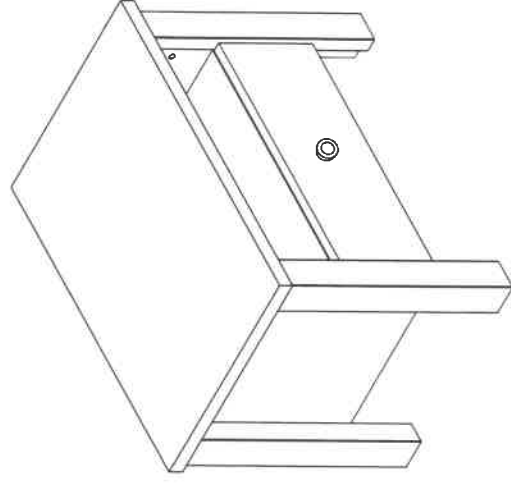


COUNTRY

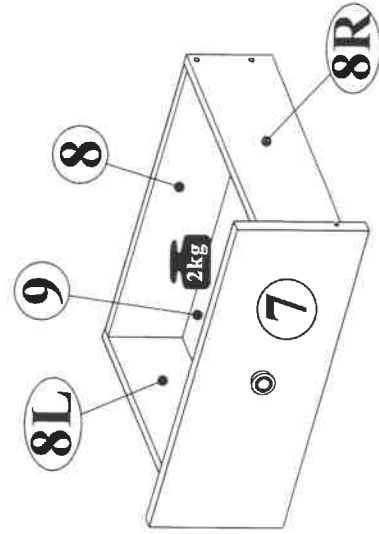
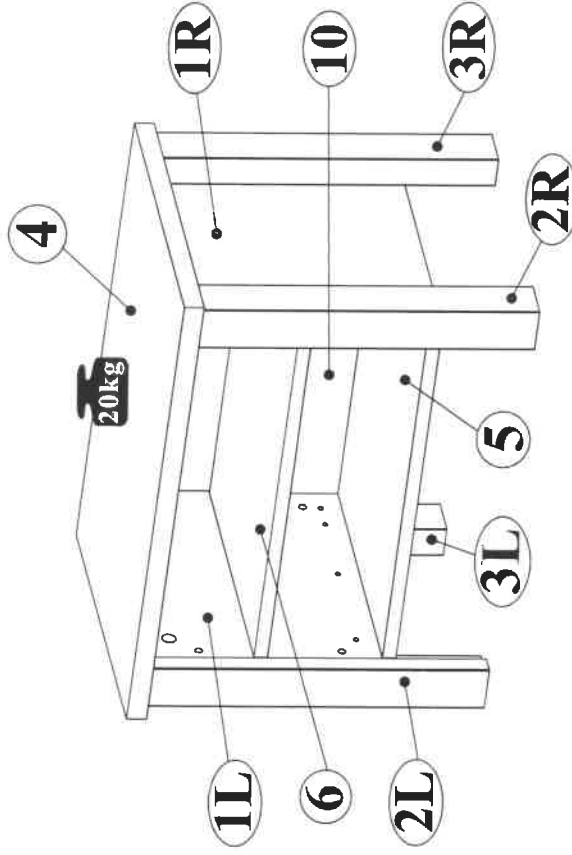
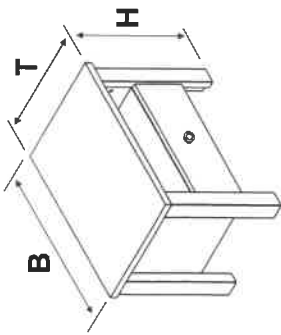
8X--CT 21

1 / 8

B - 542mm  
H - 403mm  
T - 359mm



B - 542mm  
H - 403mm  
T - 359mm



NR 1

(B1)		8x28	x12
(M1)		φ15x12mm	x12
(T1)		15x12mm	x12
(K9)		7x35	x8
(C14)		φ20mm	x4
(J23)		20mm	x2
(S4)		3.0x20	x6
(F15)		3.0x20	x4
(G7)		S4	x1

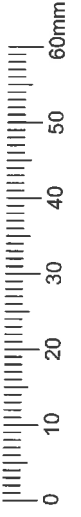
NR 2

(R21)		L-300 mm	x1
(E2)		6x11	x6
(P3)		3x13mm	x4
(S3)		3.5x13	x2
(M2)		φ12x10mm	x2
(T2)		5x35mm	x2
(P5)		4x30	x4




x1L/1R

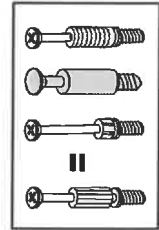
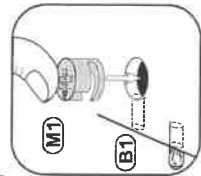
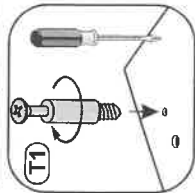
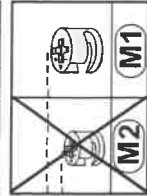
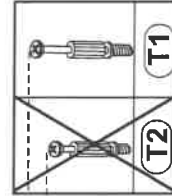
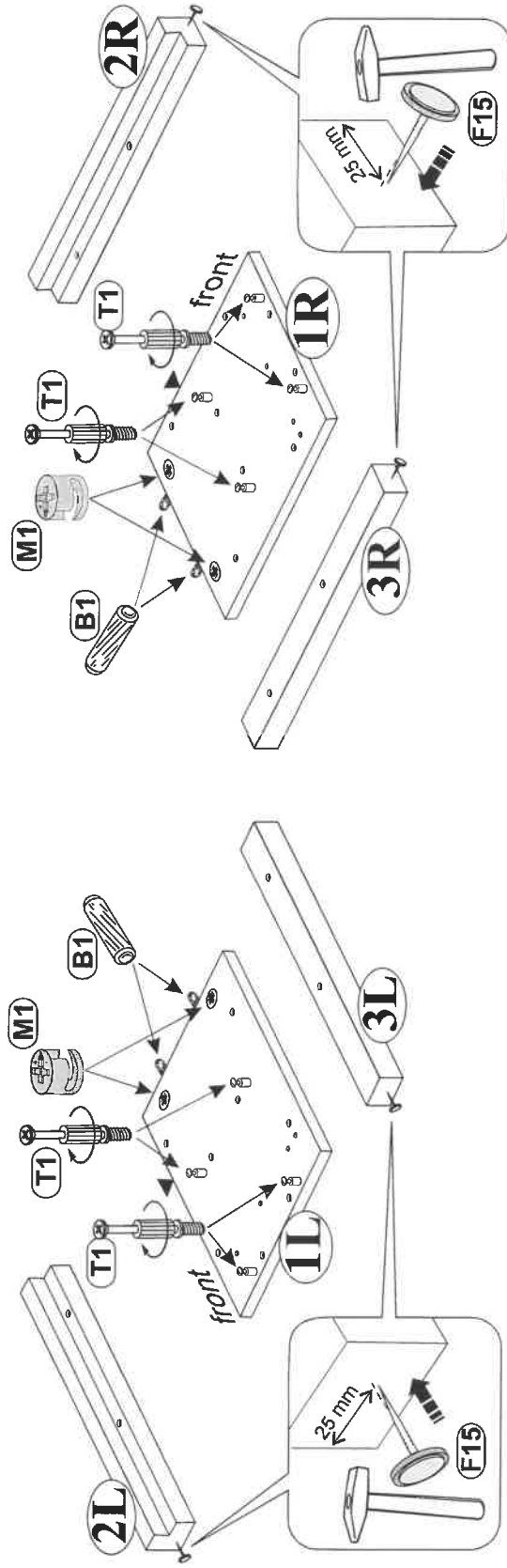
NR 3

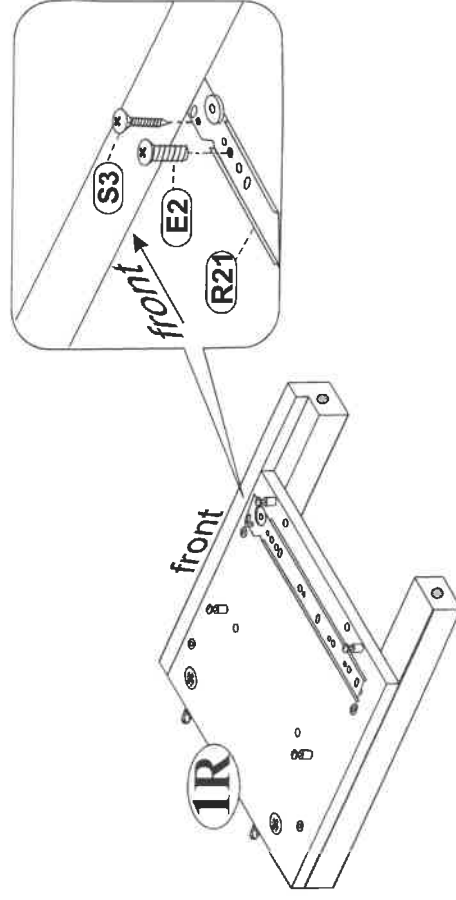
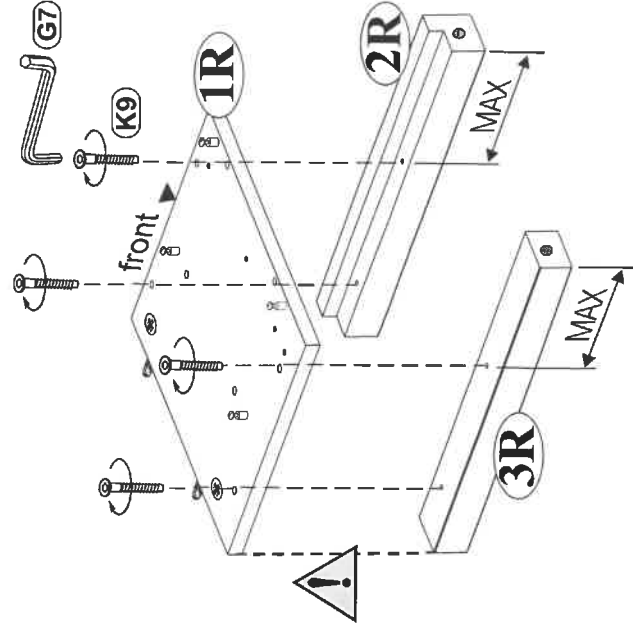
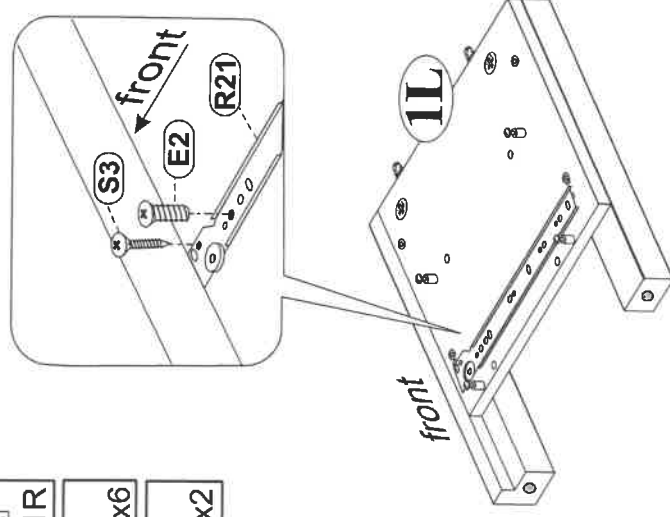
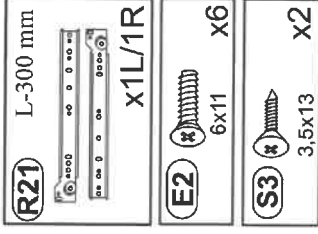
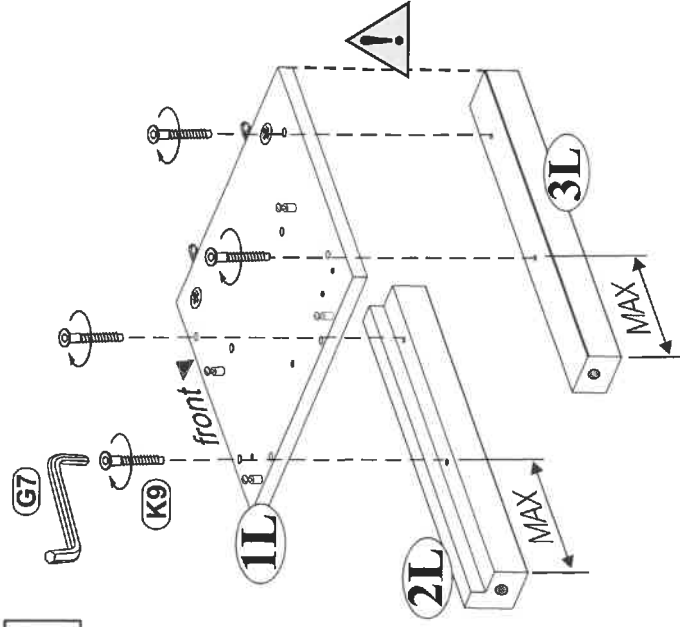
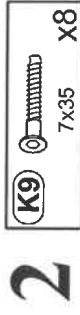
(U61)		6x11	x1
(A14)		M4x23	x1






1

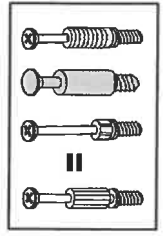
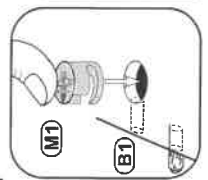
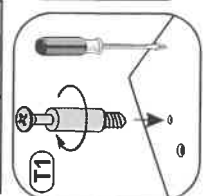
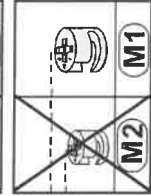
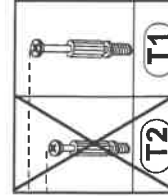
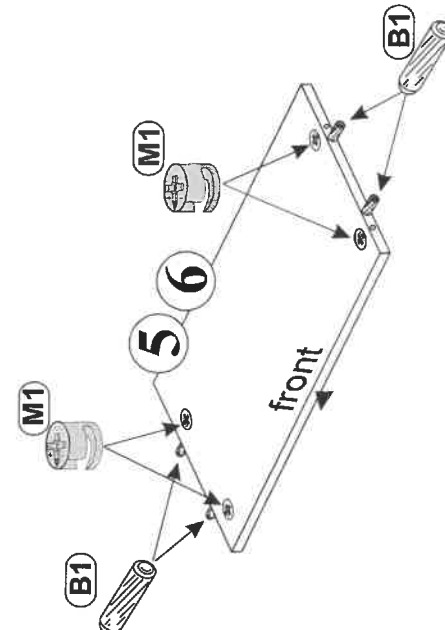
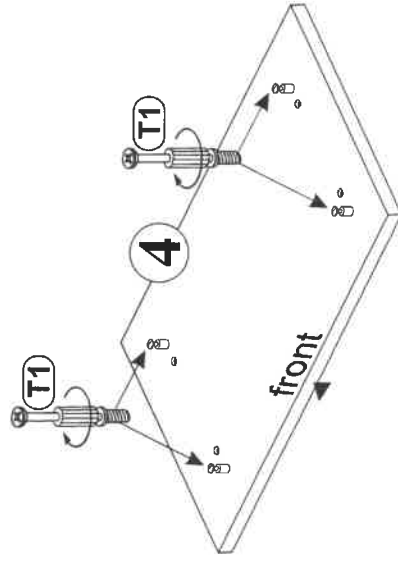
<b>(B1)</b>		φ 8x28	x4
<b>(M1)</b>		φ 15x12mm	x4
<b>(T1)</b>			x8



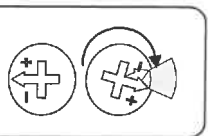
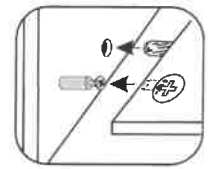
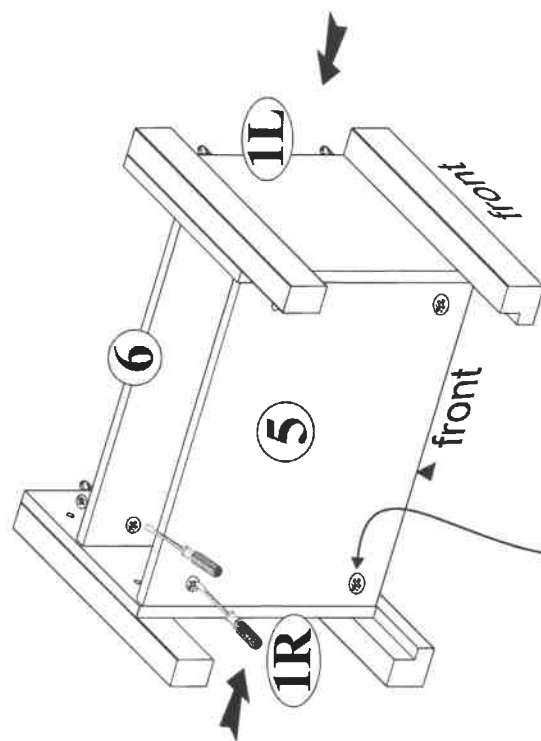


4

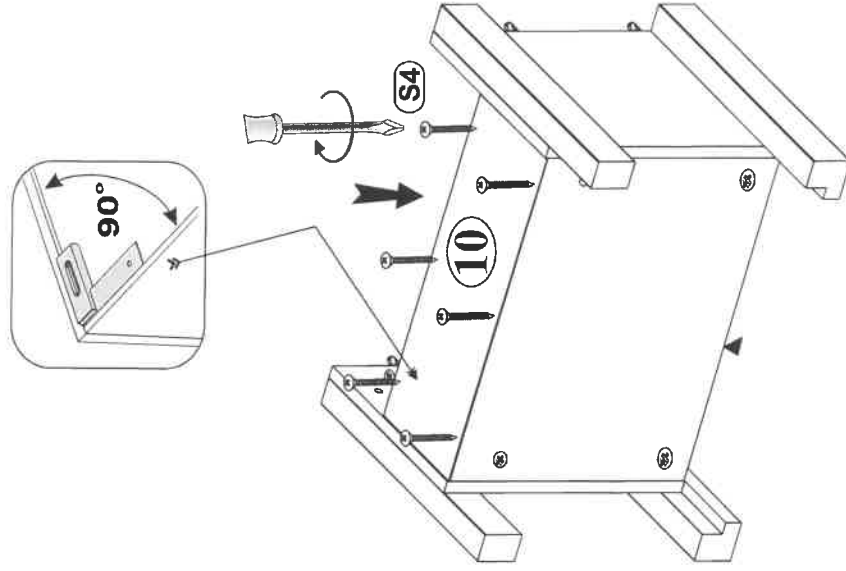
- B1**   $\phi$  8x28 x8
- M1**   $\phi$  15x12mm x8
- T1**  x4



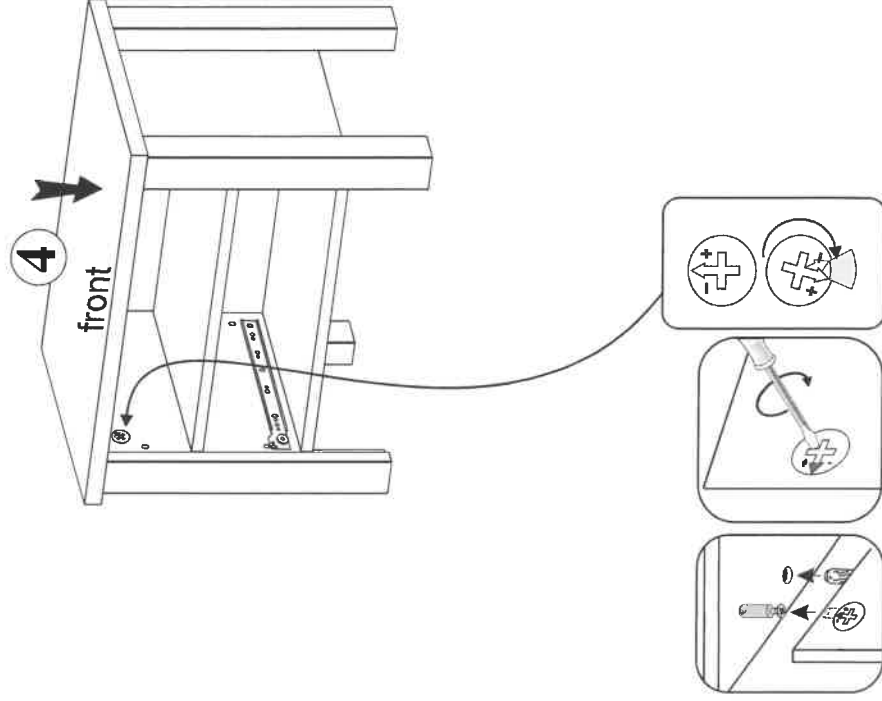
5



6



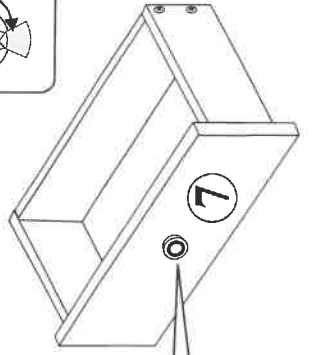
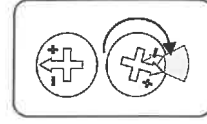
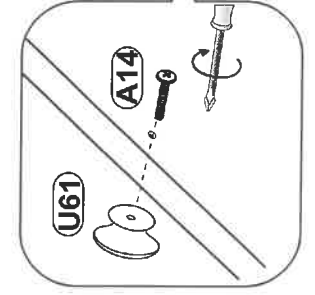
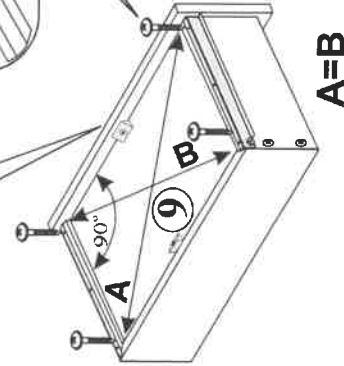
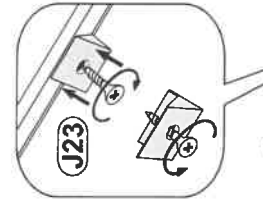
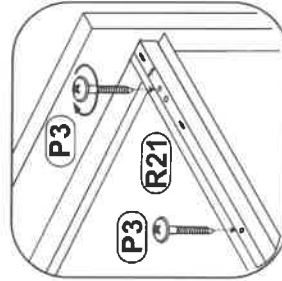
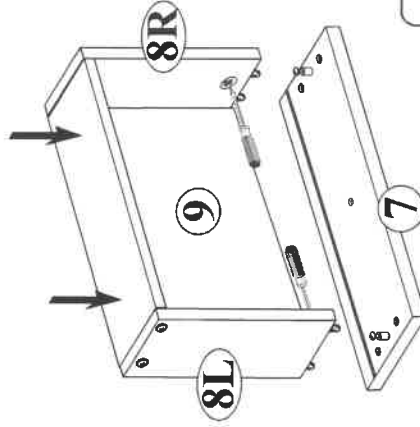
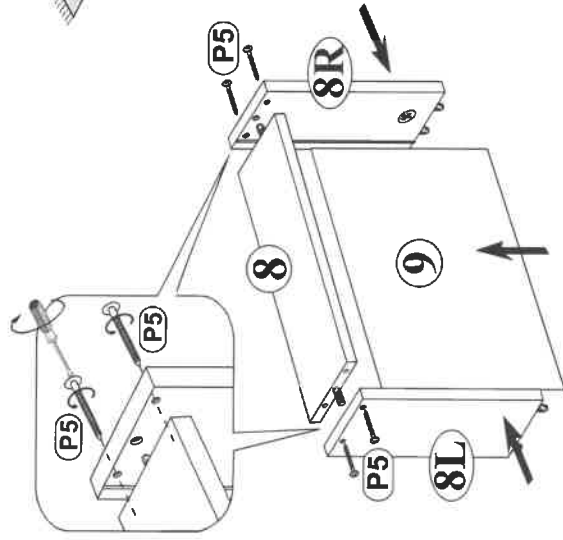
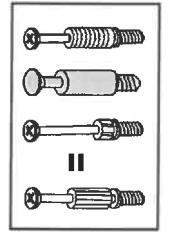
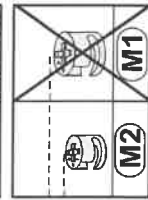
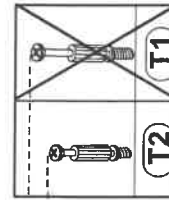
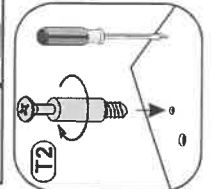
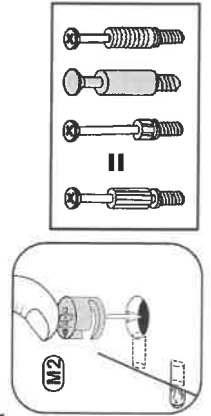
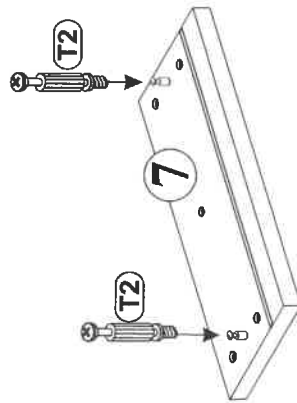
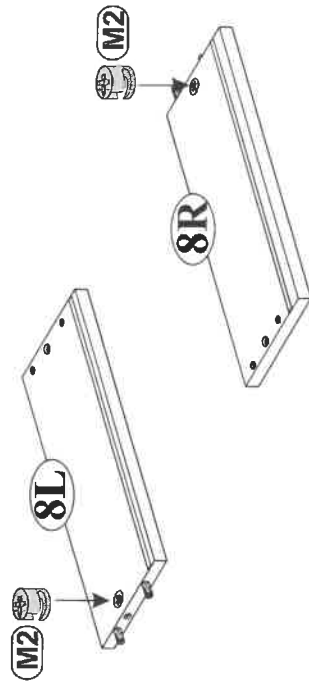
7



8

<b>(R21)</b>	L-300 mm	<b>(P5)</b>	4x30	<b>(U61)</b>	x1
<b>(P3)</b>	3x13mm	<b>(M2)</b>	φ12x10mm	<b>(A14)</b>	M4x23 x1
<b>(X1L/1R)</b>	x4	<b>(T2)</b>	5x35mm	<b>(J23)</b>	x2

<b>(P5)</b>	x4	<b>(U61)</b>	x1
<b>(M2)</b>	x2	<b>(A14)</b>	x1
<b>(T2)</b>	x2	<b>(J23)</b>	x2



9

