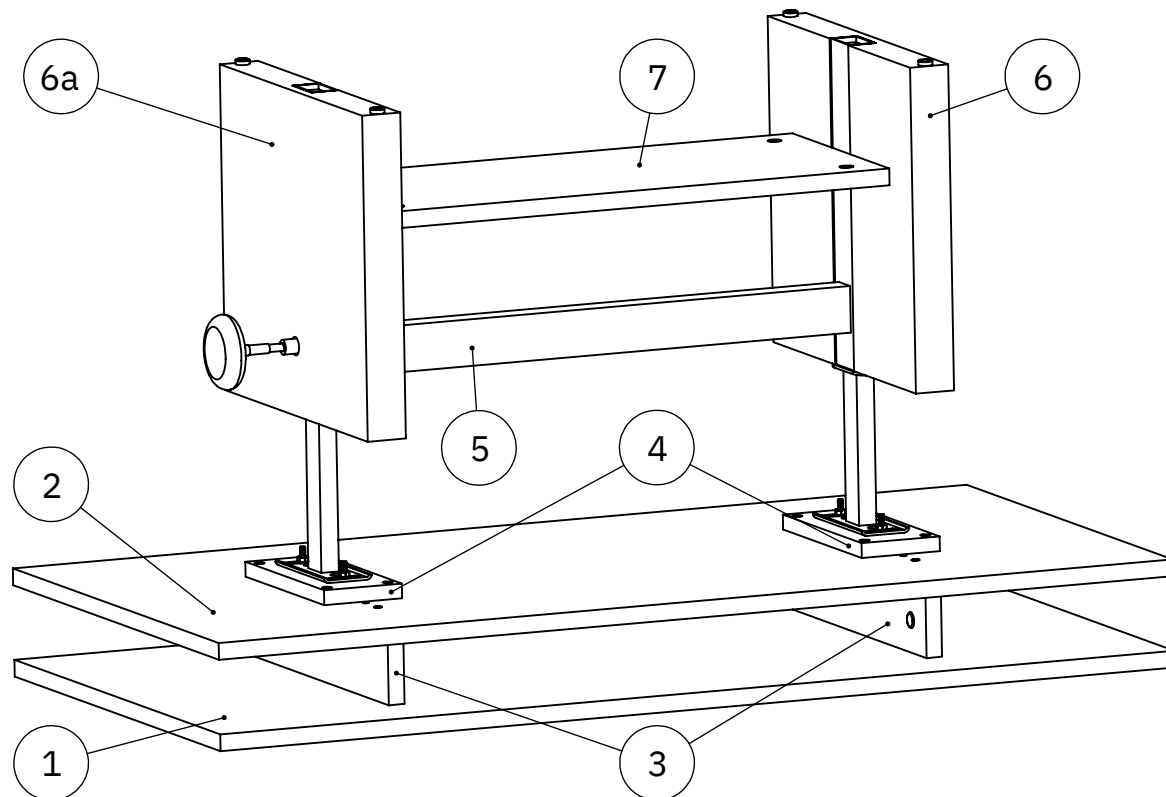
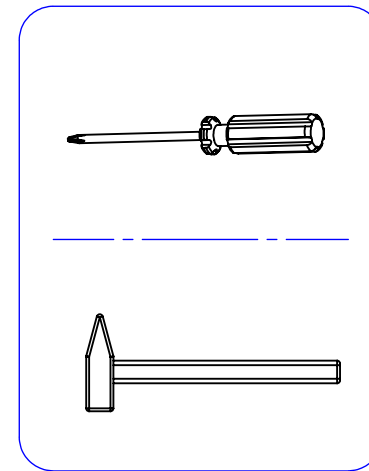
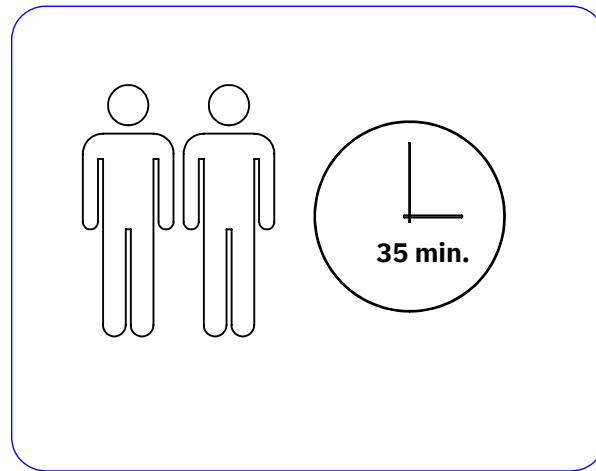
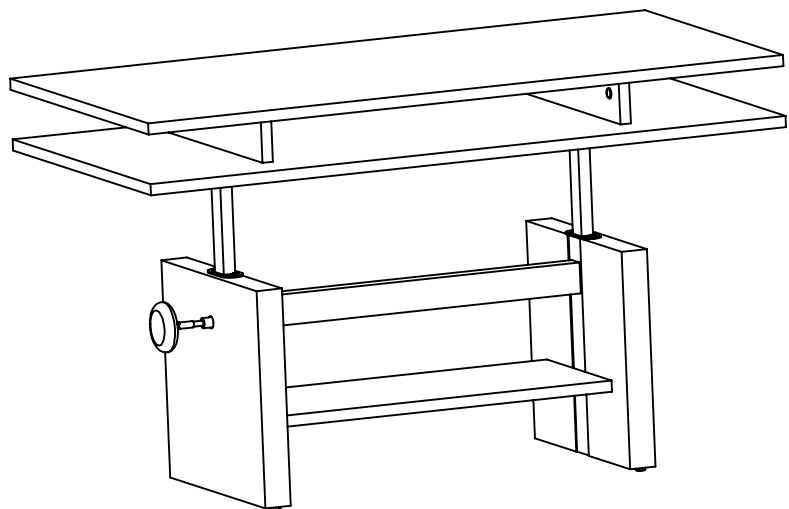
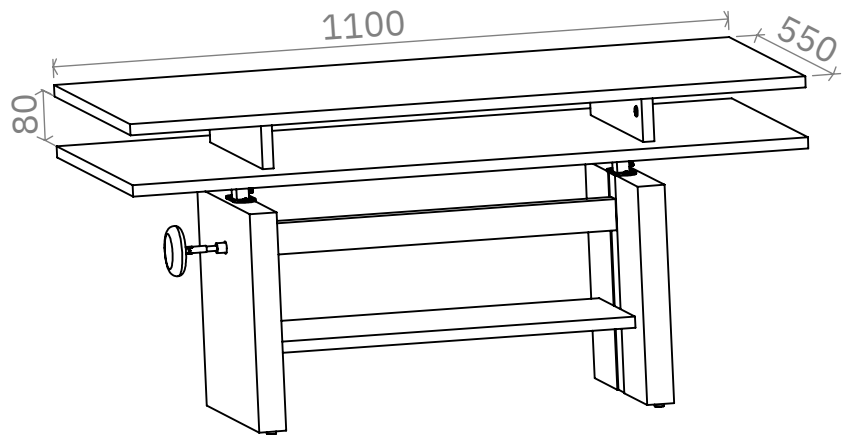
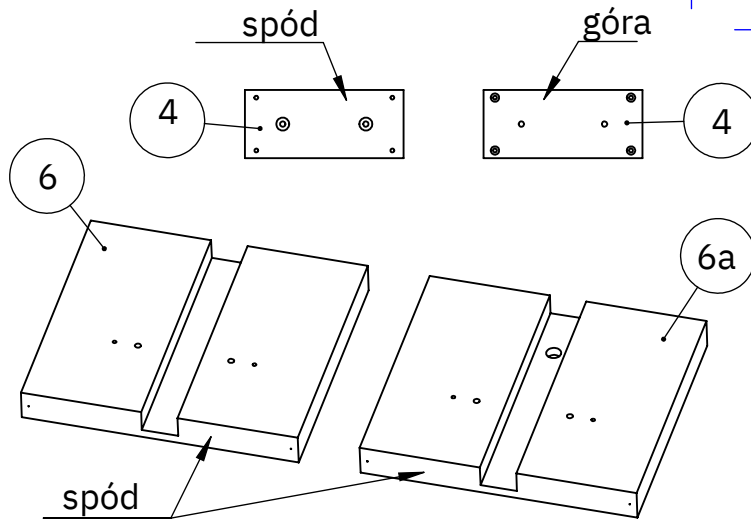
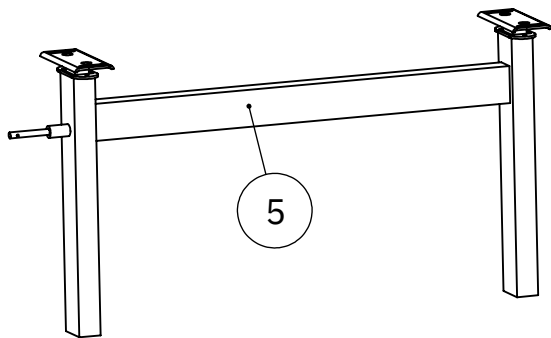
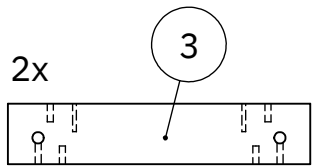
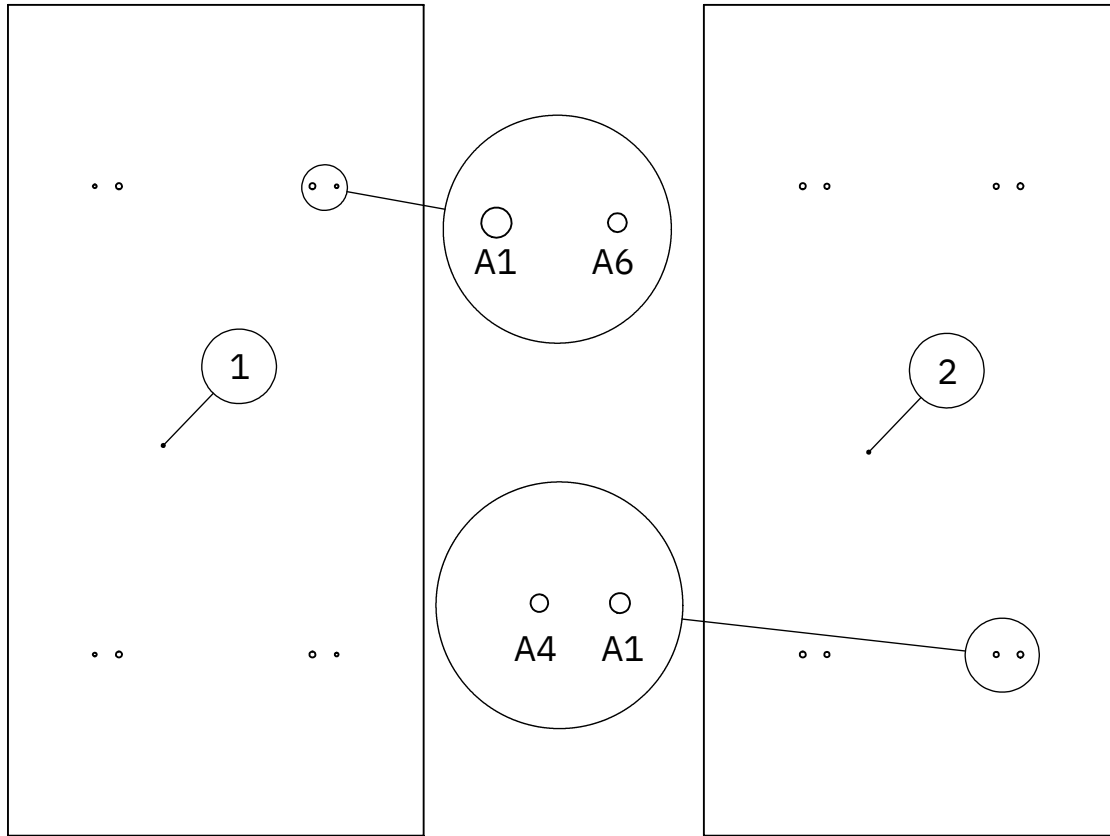
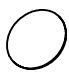

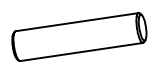


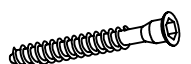




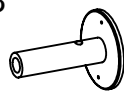








# Instrukcja montażu / Montageanweisung: HL3/PEPPINO



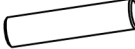

# Zawartość opakowania:

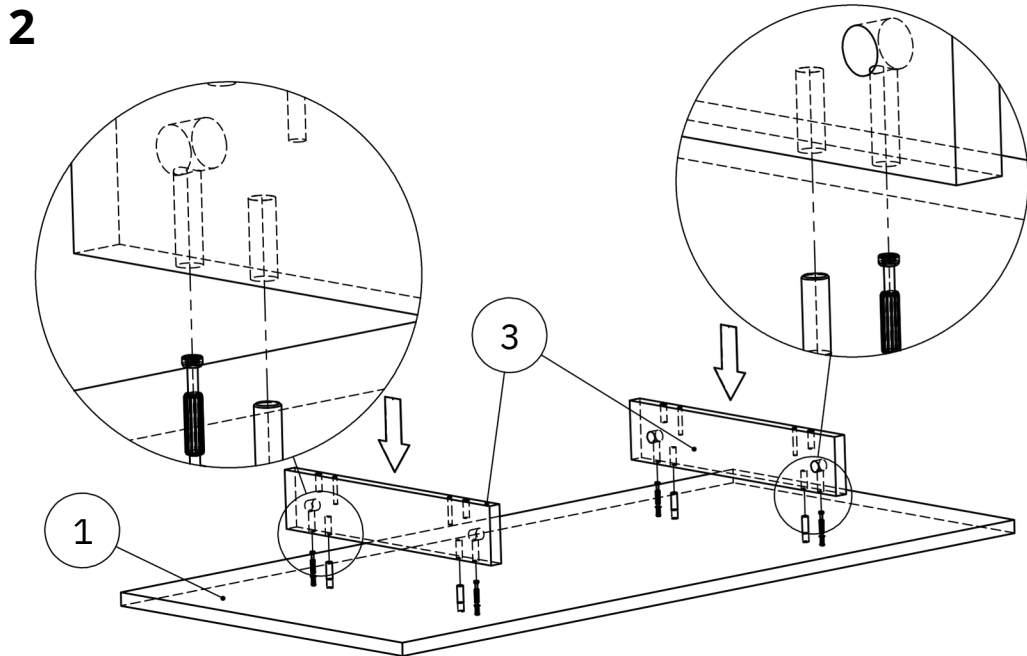
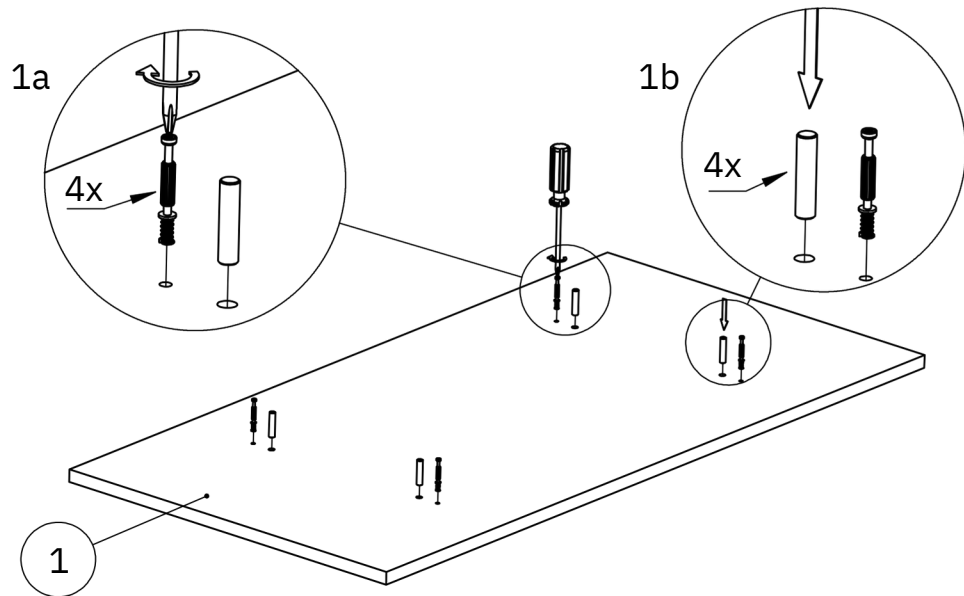



|   |   |  |
|---|---|--|
| B11<br><br>x 4 | C5<br><br>4 x 30 x 8 | A1<br><br>x 12  |
| B8<br><br>x 4  | C3<br><br>3 x 16 x 2 | A4<br><br>x 4   |
| A9<br><br>x 1  | B5<br><br>x 4        | K2<br><br>x 1   |
| B4<br><br>x 4  | A8<br><br>x 1        | A6<br><br>x 8   |
| A5<br><br>x 8  | B3<br><br>x 4        | C6<br><br>x 4   |
|   | K1<br><br>x 1      | B1<br><br>x 1 |

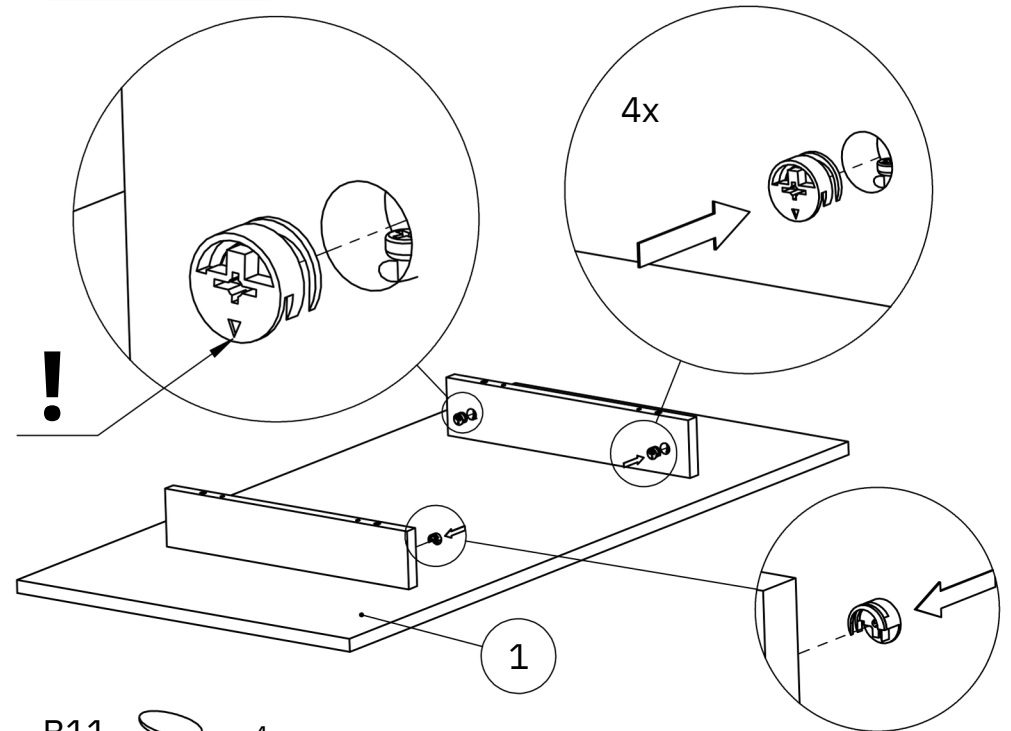



# ETAP I

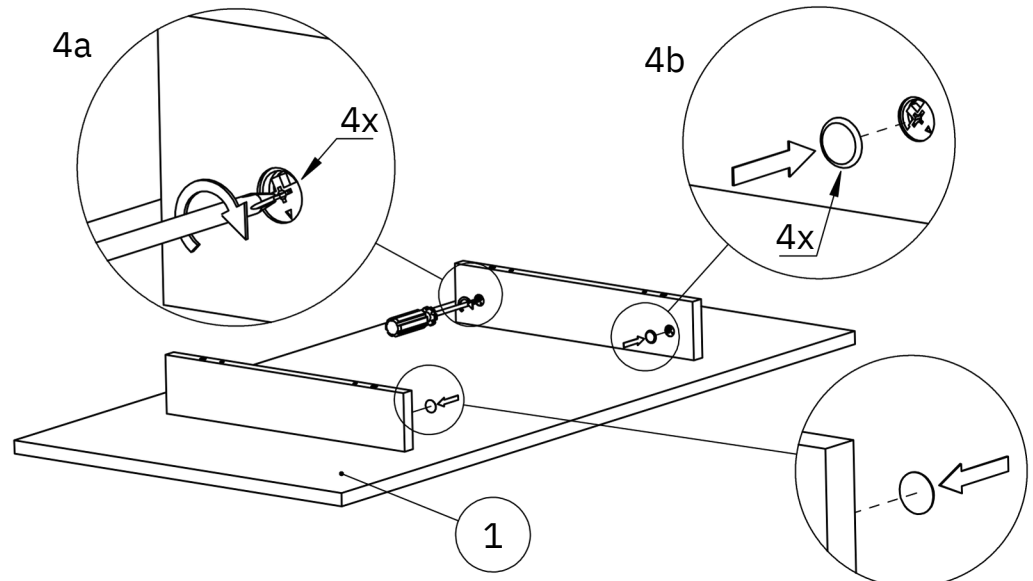
**1** A1  x4 | A6  x4



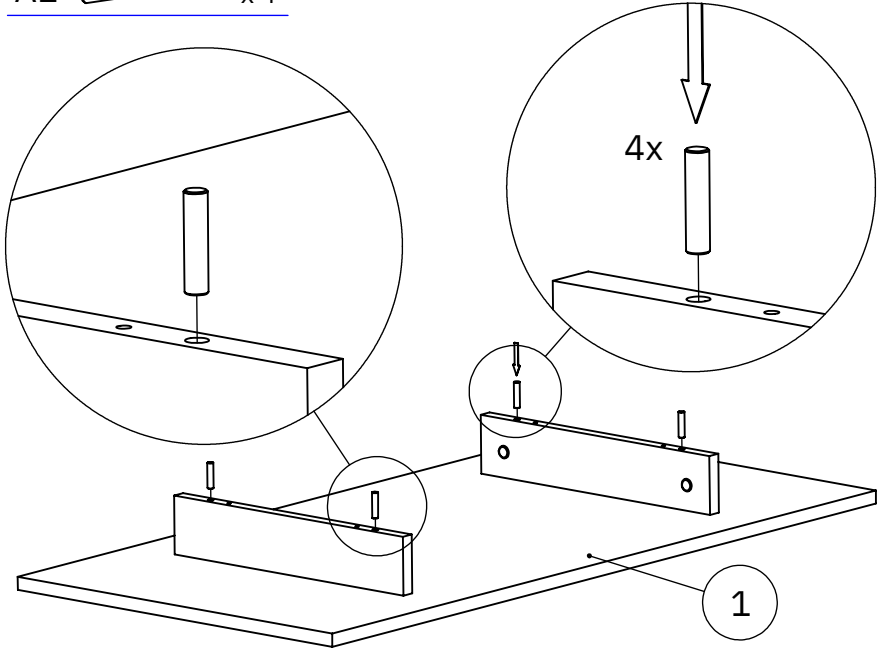
**3** A5  x4



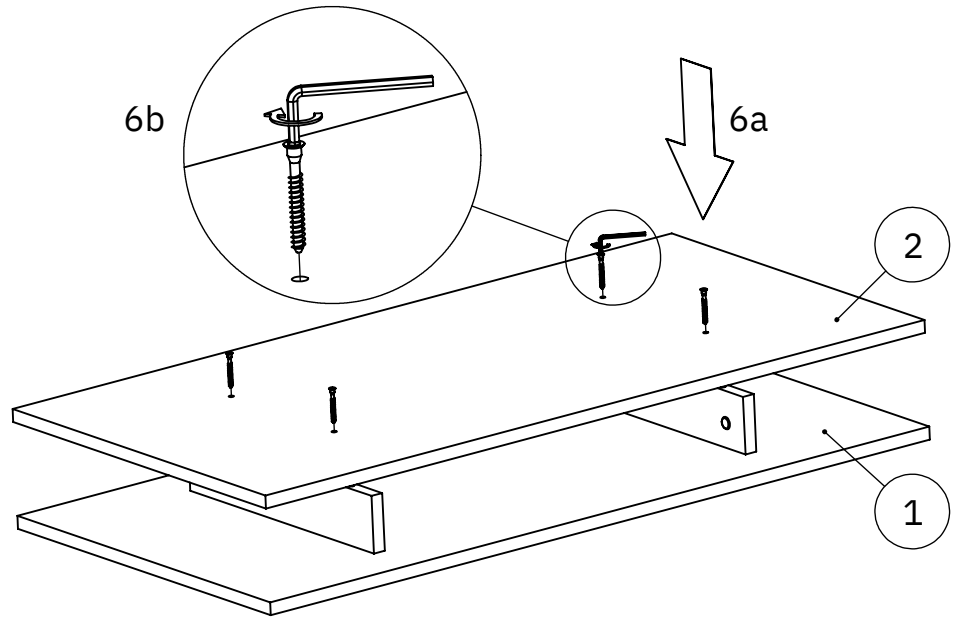
**4** B11  x4




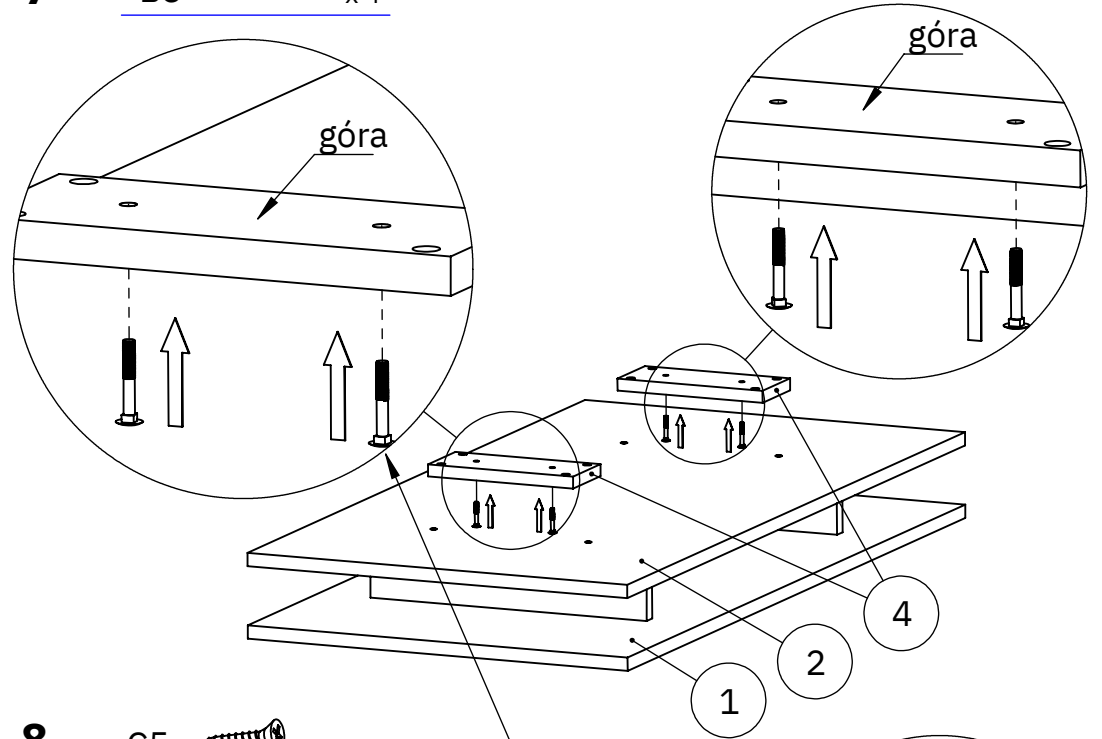
5 A1  x4




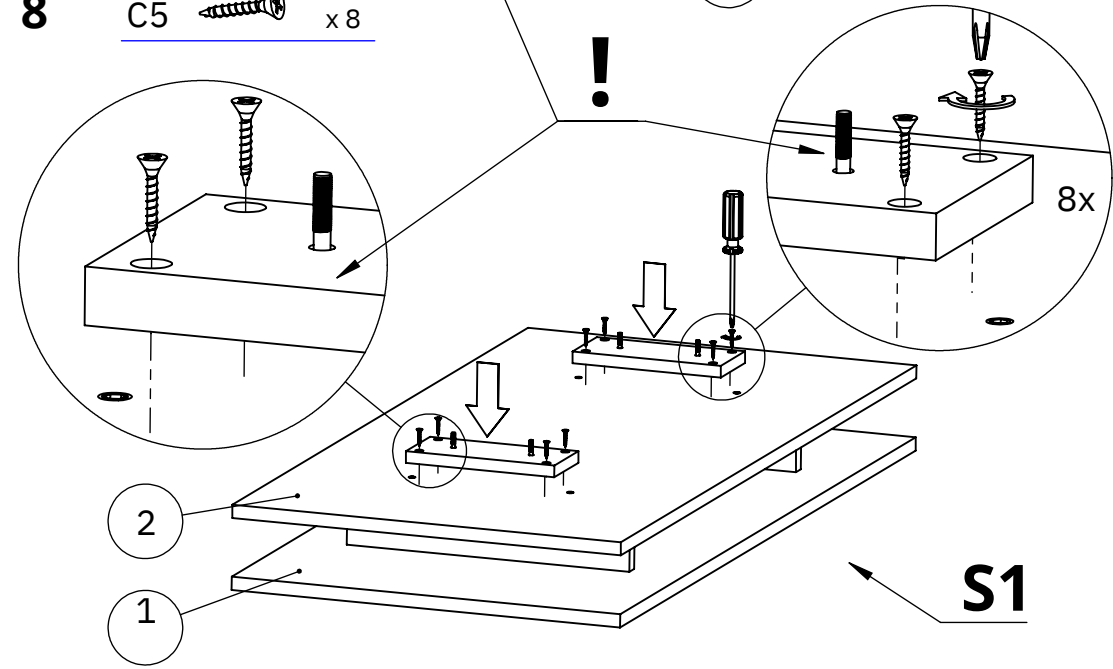
6 A4  x4 | K2  x1



7 B3  x4

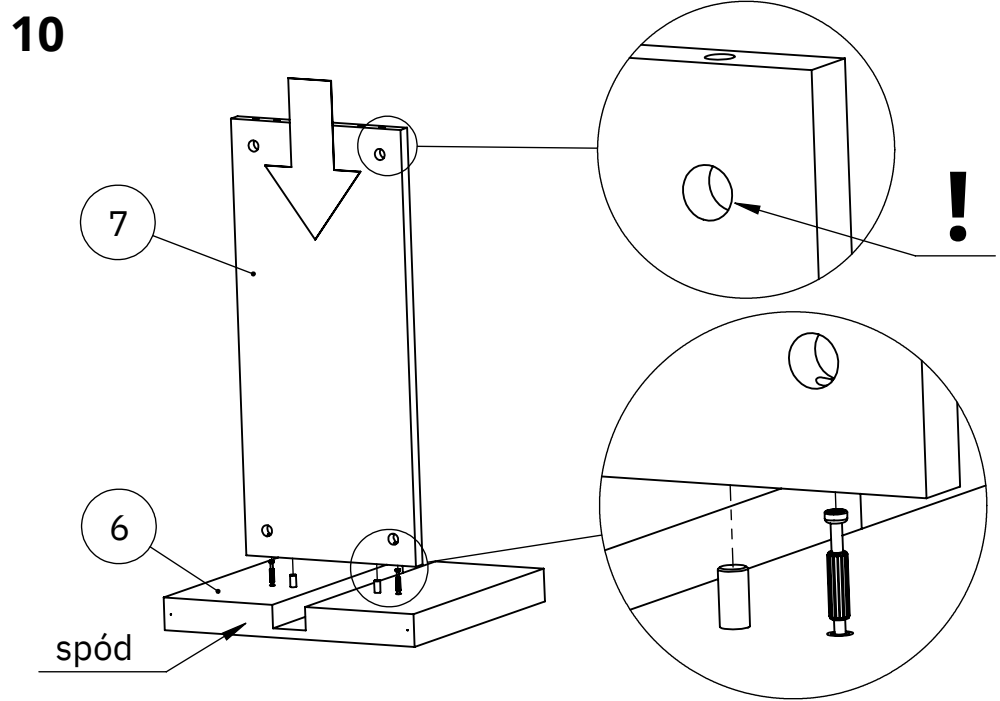
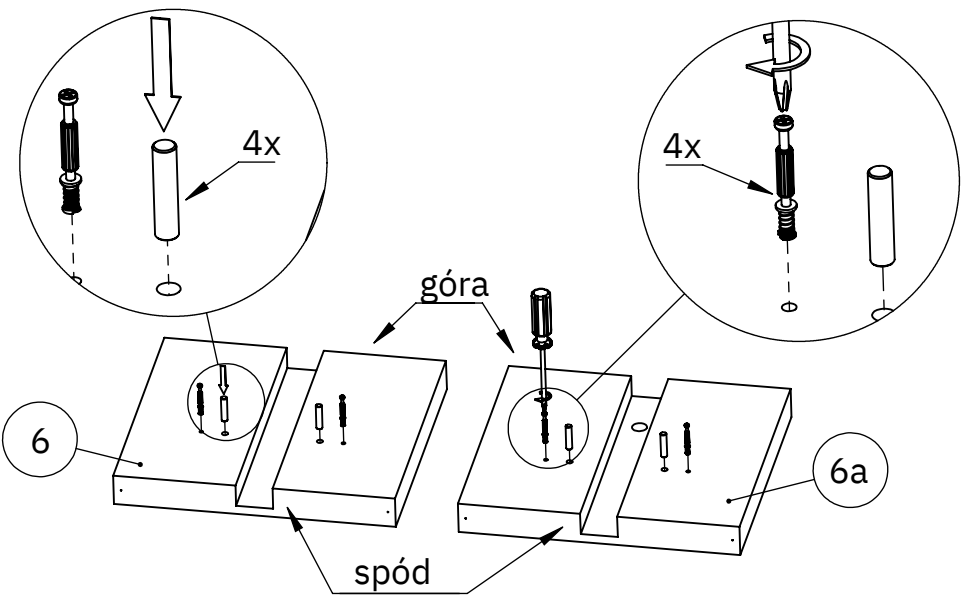


8 C5  x8

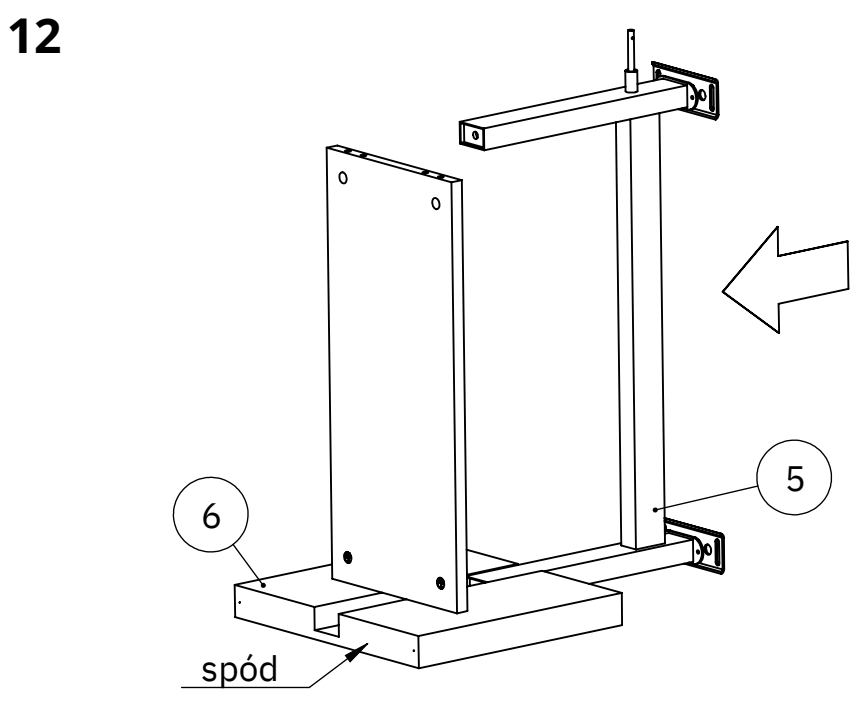
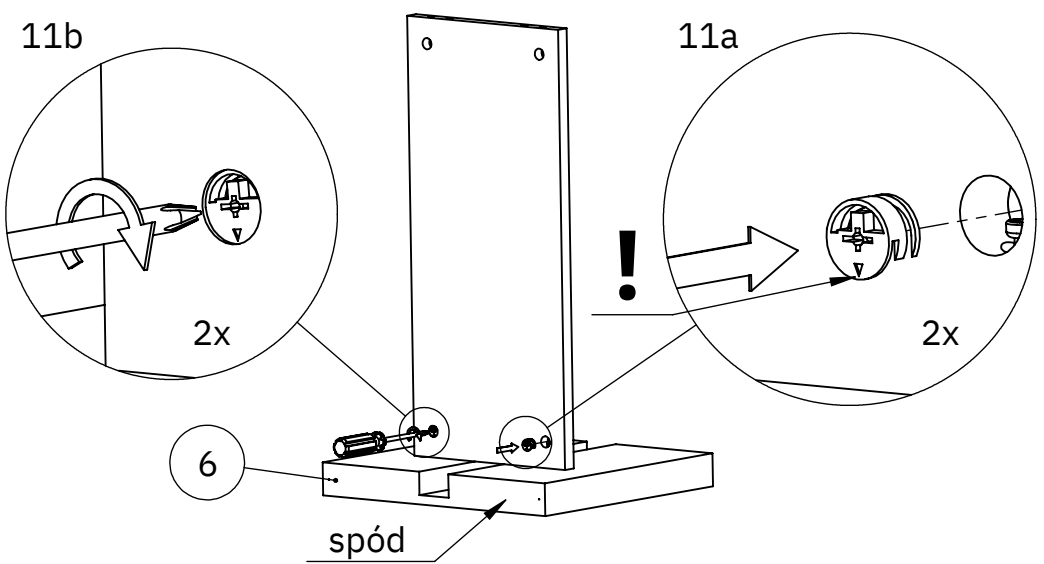


# ETAP II

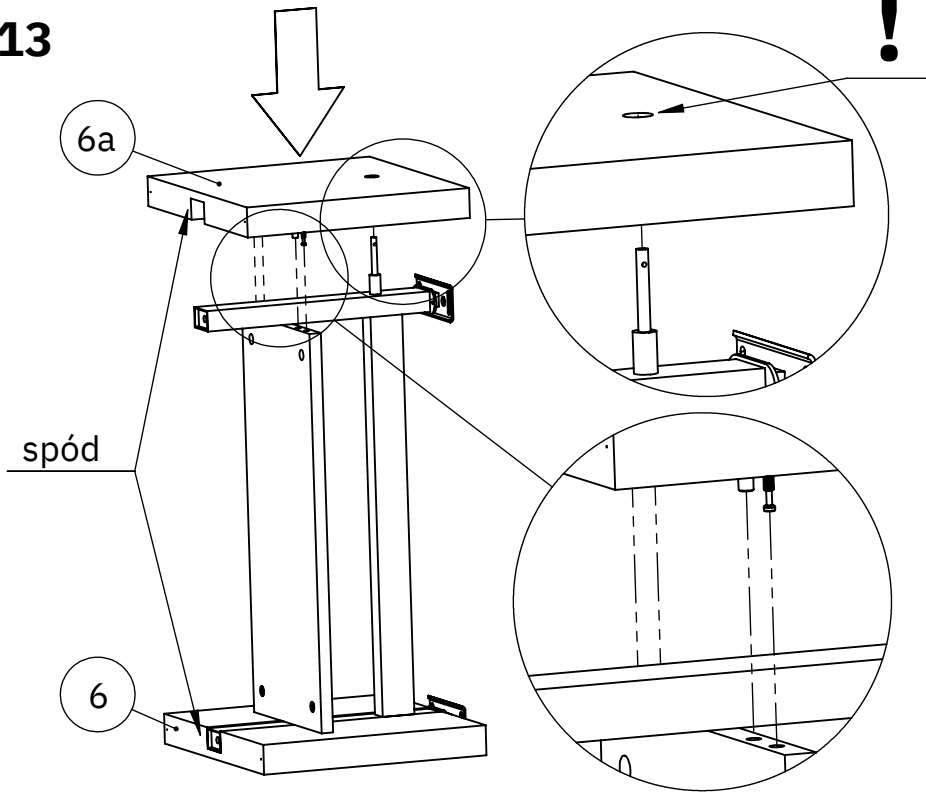
9 A1 x4 | A6 x4



11 A5 x2

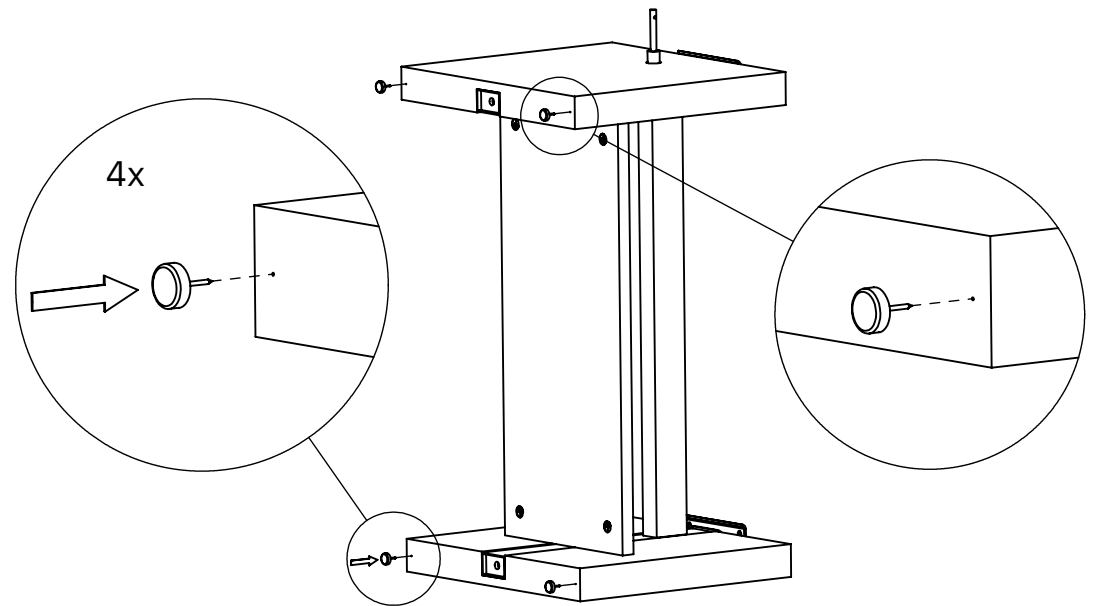


13



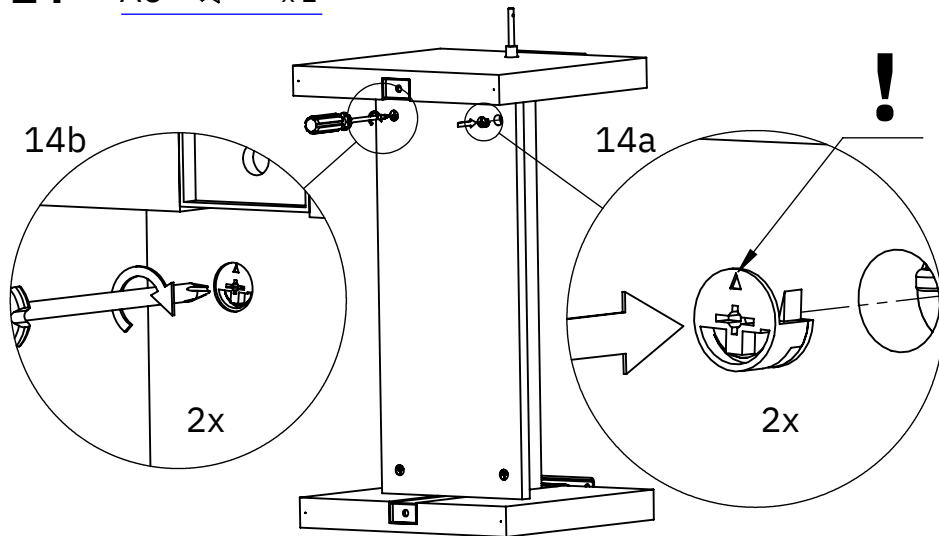
15

B8  x4



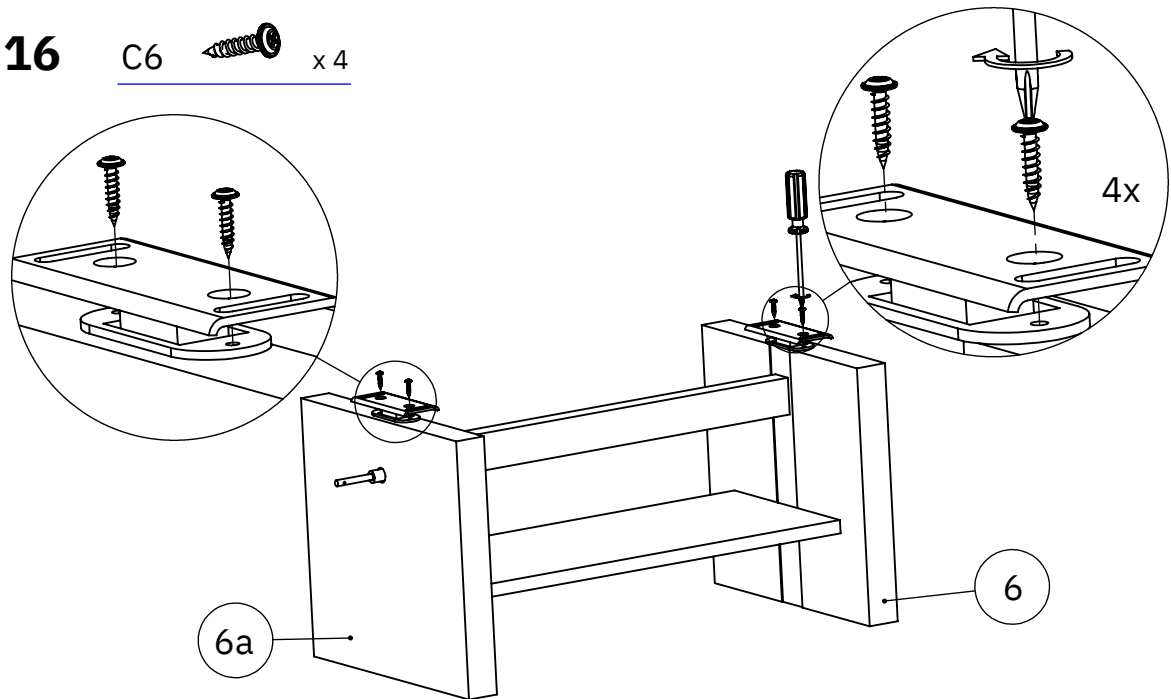
14

A5  x2



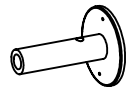


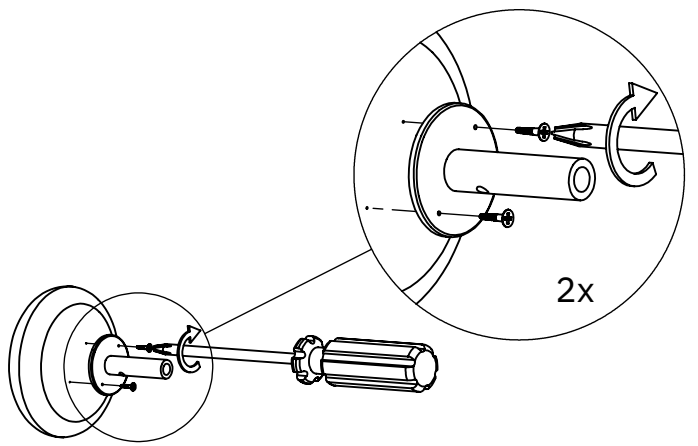
16


C6  x4

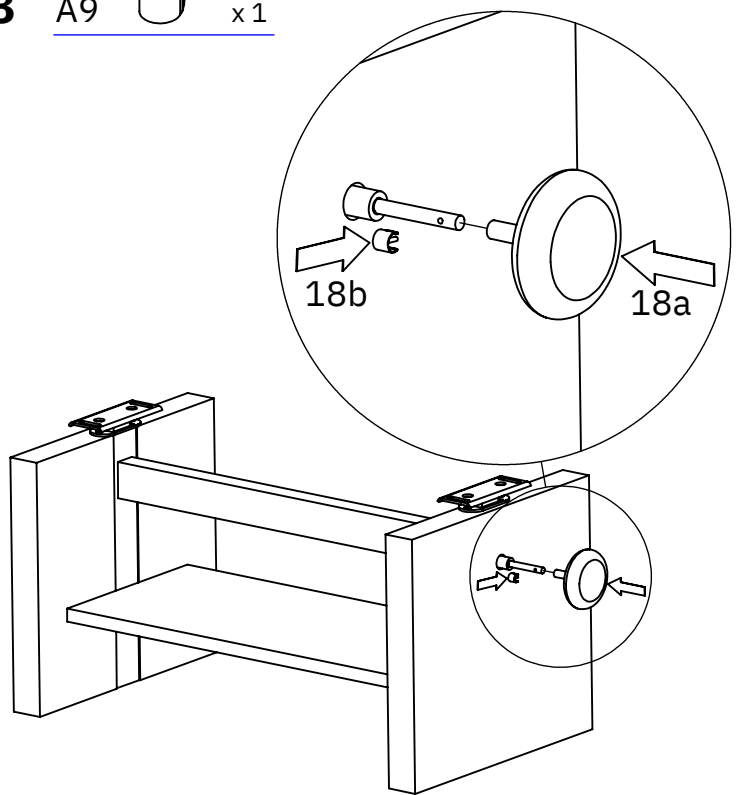


# ETAP III

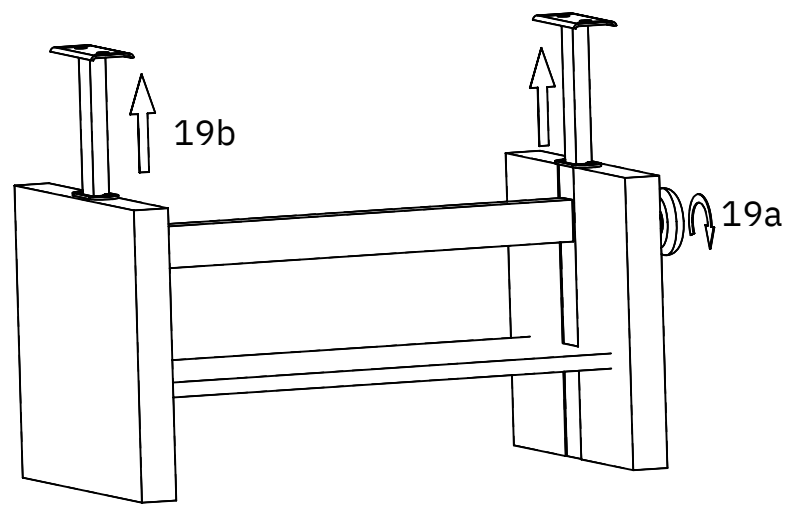
**17** B1  x1 | C3  x2 | A8  x1



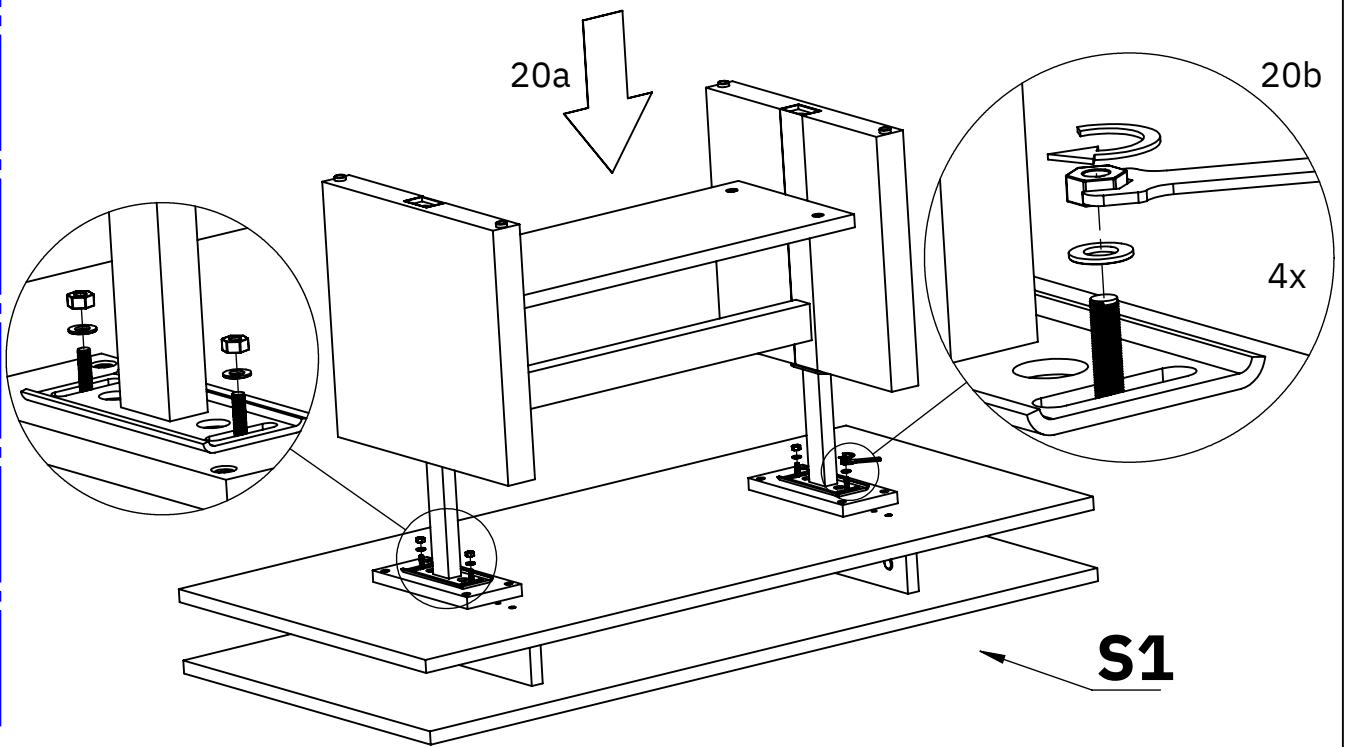
**18** A9  x1



**19**



**20** B4  x4 | B5  x4 | K1  x1



21

