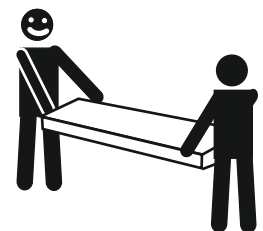
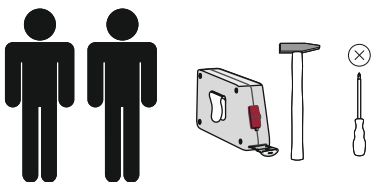
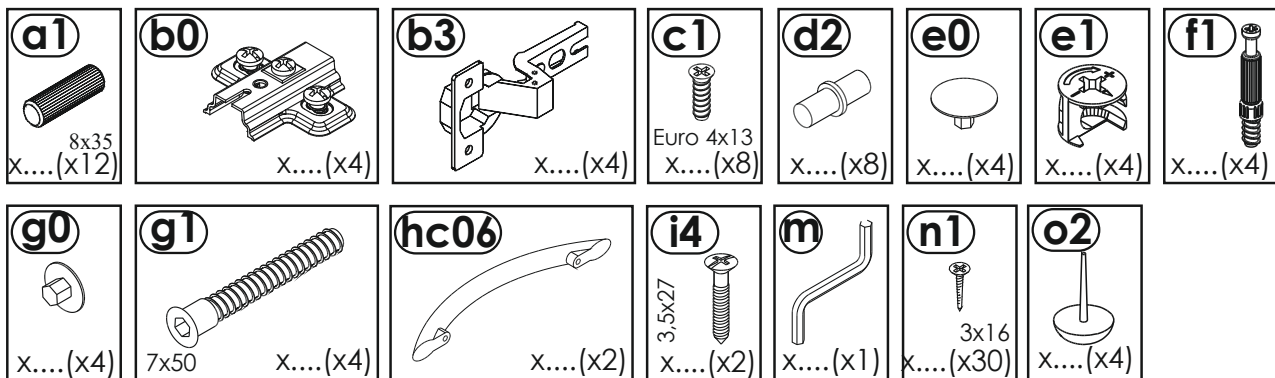
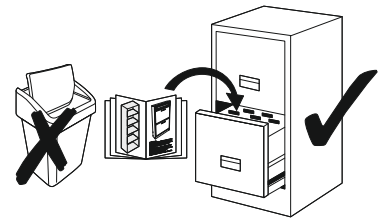
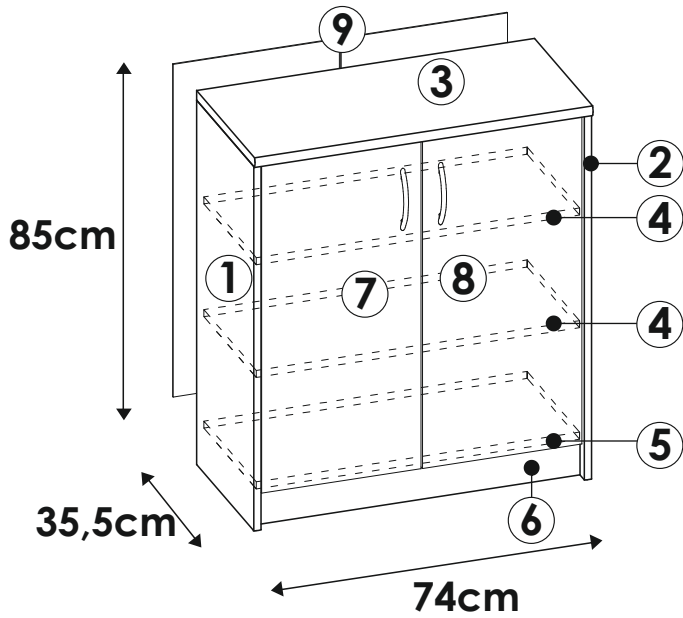
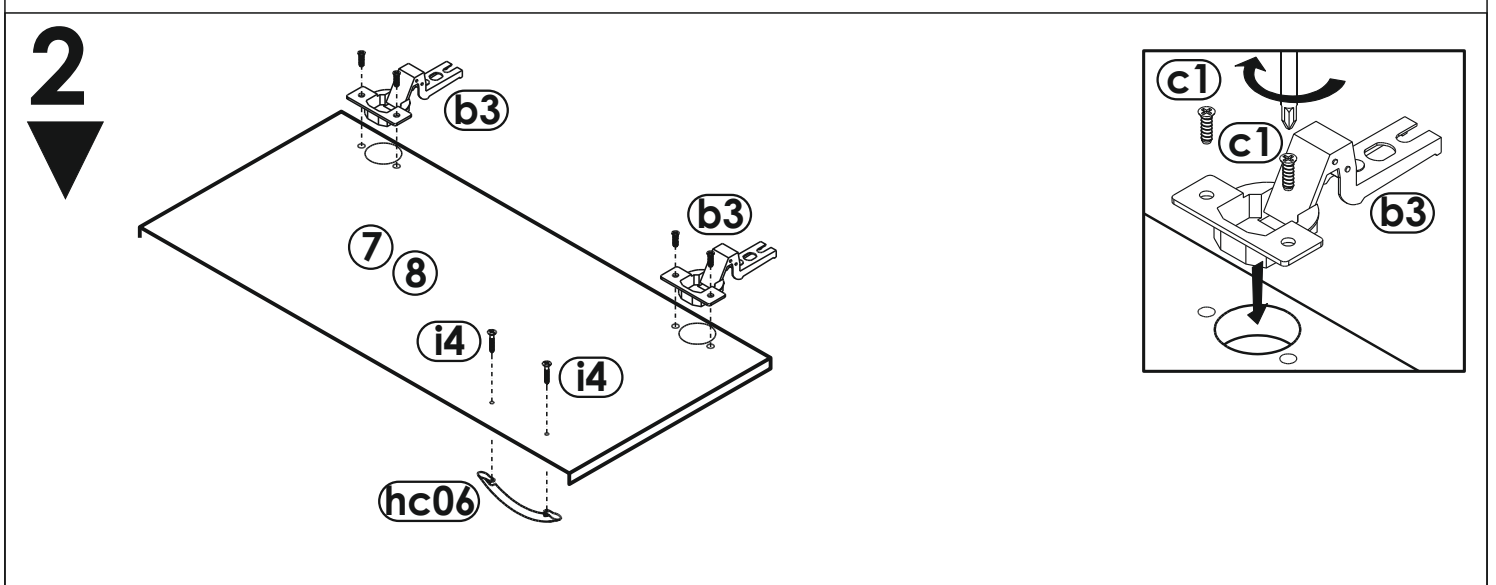
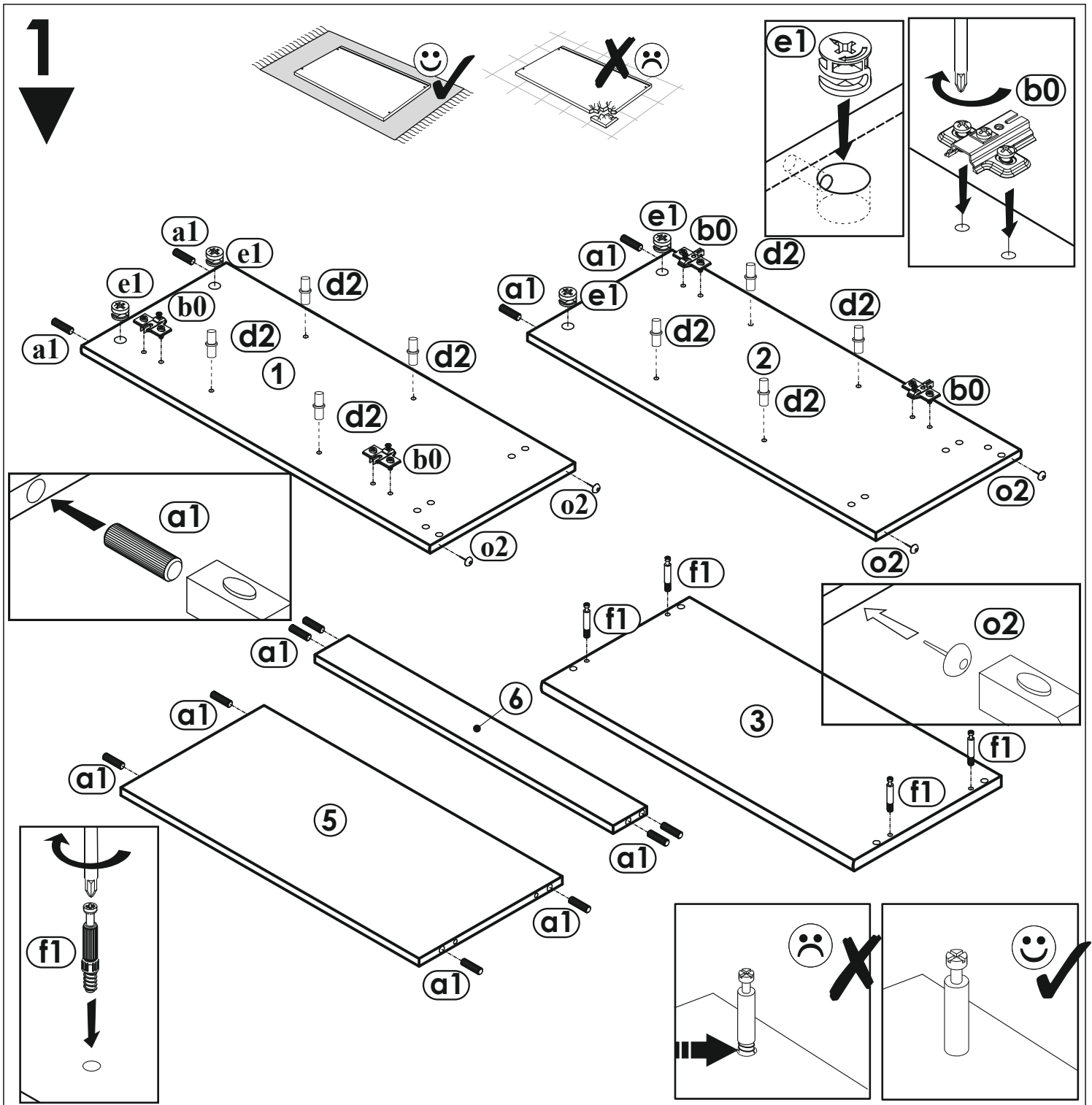


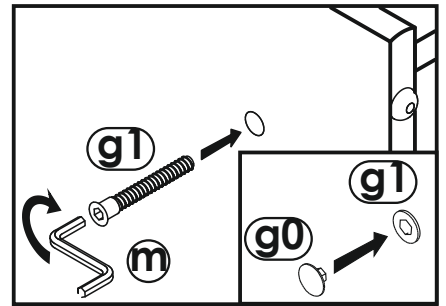
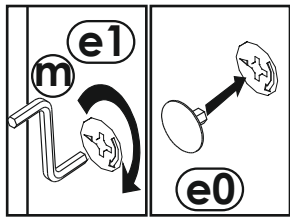
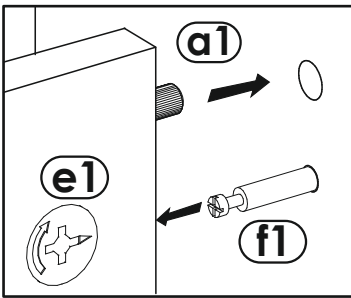
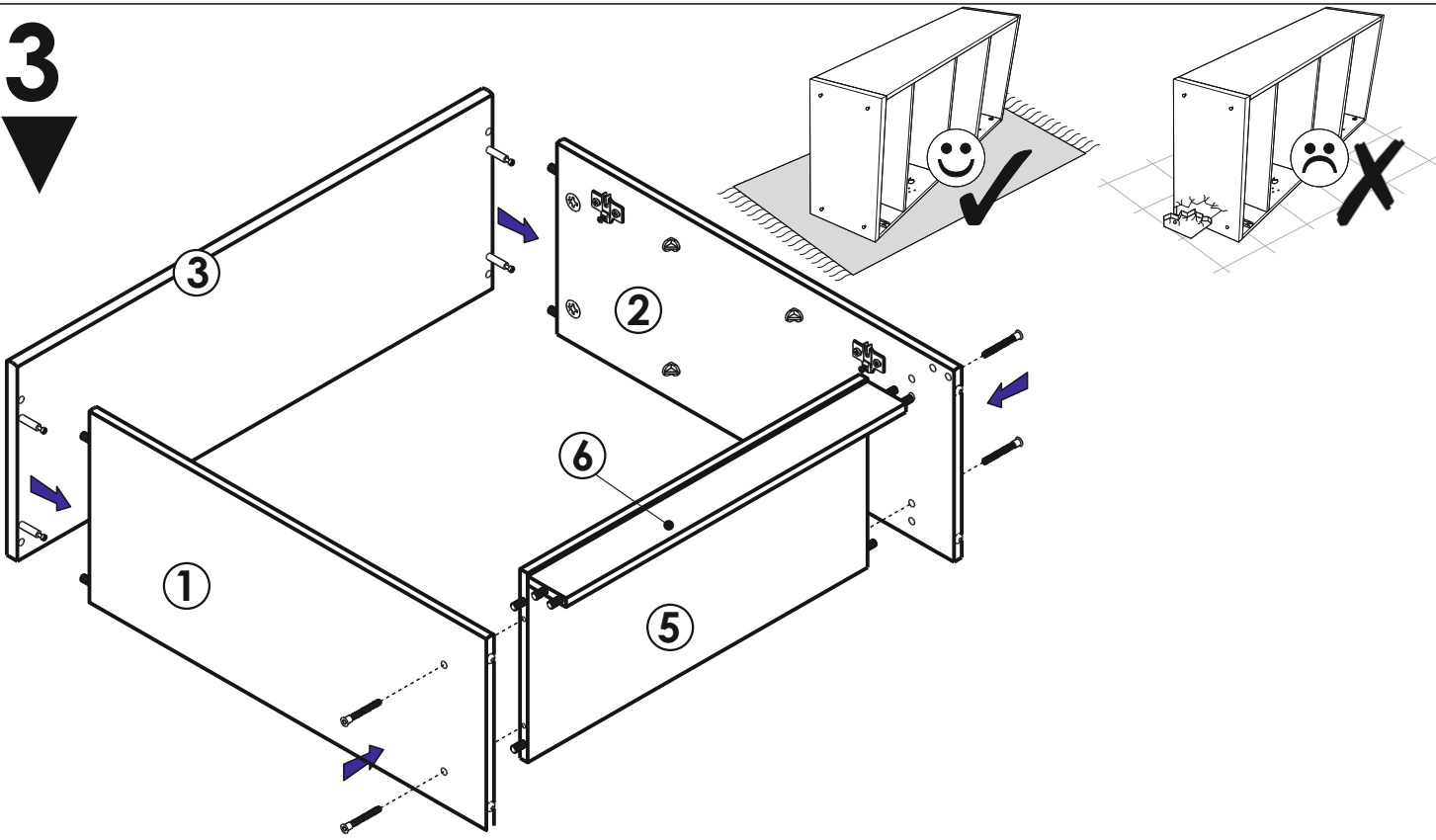
SCONTO

K1-2D

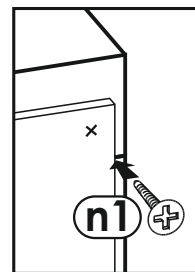
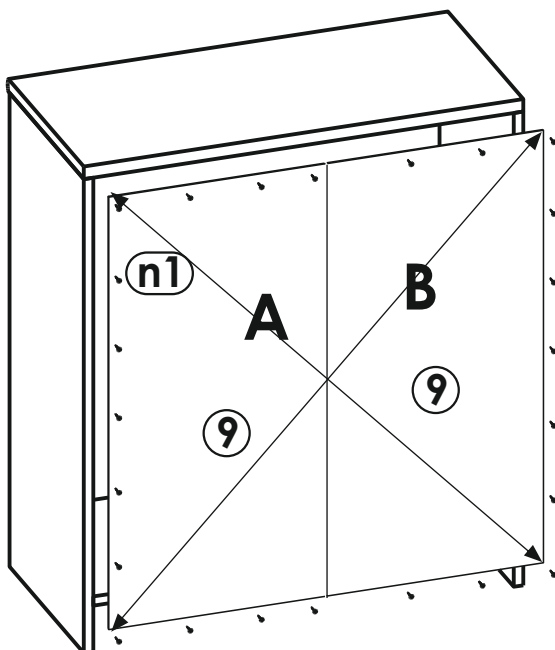




3



4



A=B

5

