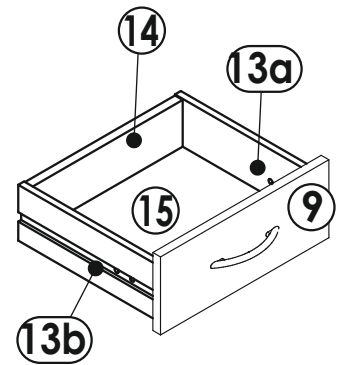
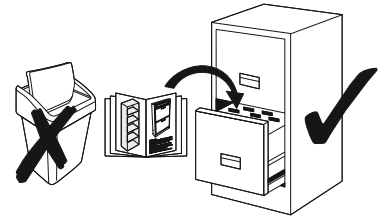
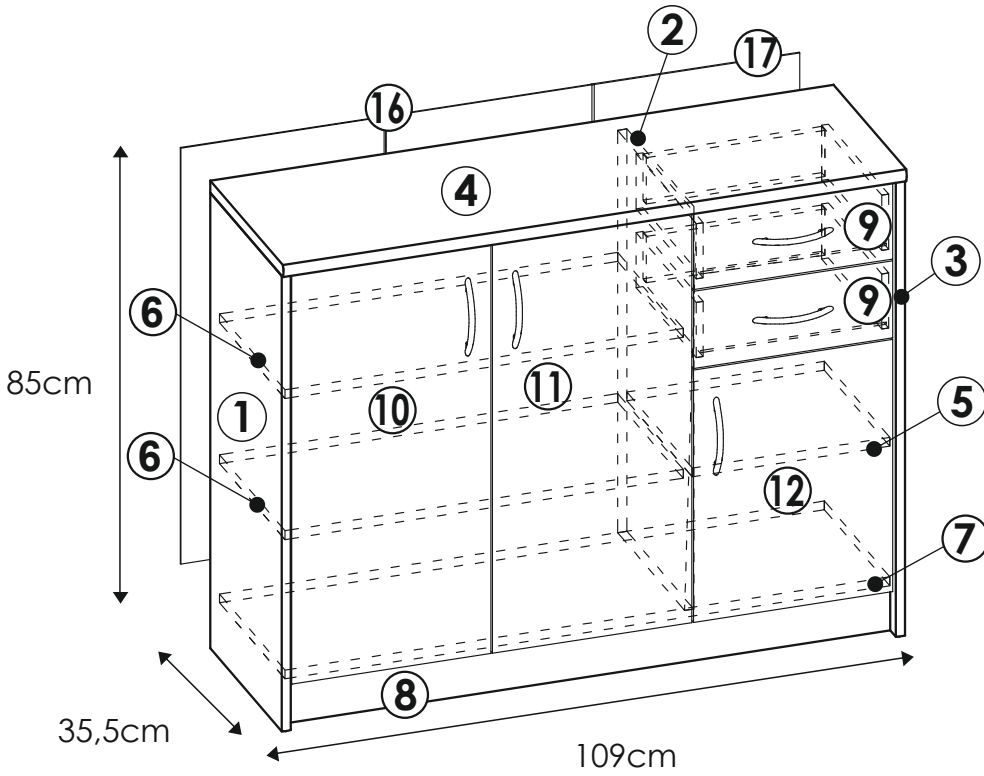


1803

SCONTO

K1-3D-2S



- | | | | | | | | | |
|--|---|-----------------------------|-------------------------------------|----------------------------|----------------------------|----------------------------|------------------------------------|------------------------------|
| a1

8x35
x....(x24) | b0

x....(x6) | b3

x....(x4) | b2

x....(x2) | | | | | |
| c1

Euro 4x13
x....(x12) | c2

Euro 5x13
x....(x8) | d2

x....(x12) | e0

x....(x6) | e1

x....(x6) | f1

x....(x6) | g0

x....(x6) | g1

7x50
x....(x6) | hc06

x....(x5) |
| i4

3.5x27
x....(x10) | k1

4x10
x....(x4) | m

x....(x1) | n1

3x16
x....(x50) | o2

x....(x4) | p0

x....(x4) | r1

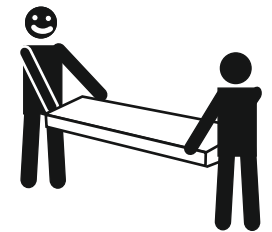
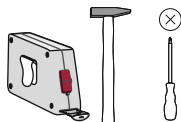
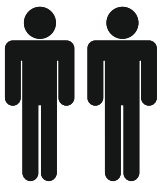
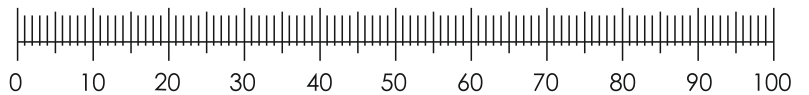
x....(x7) | s

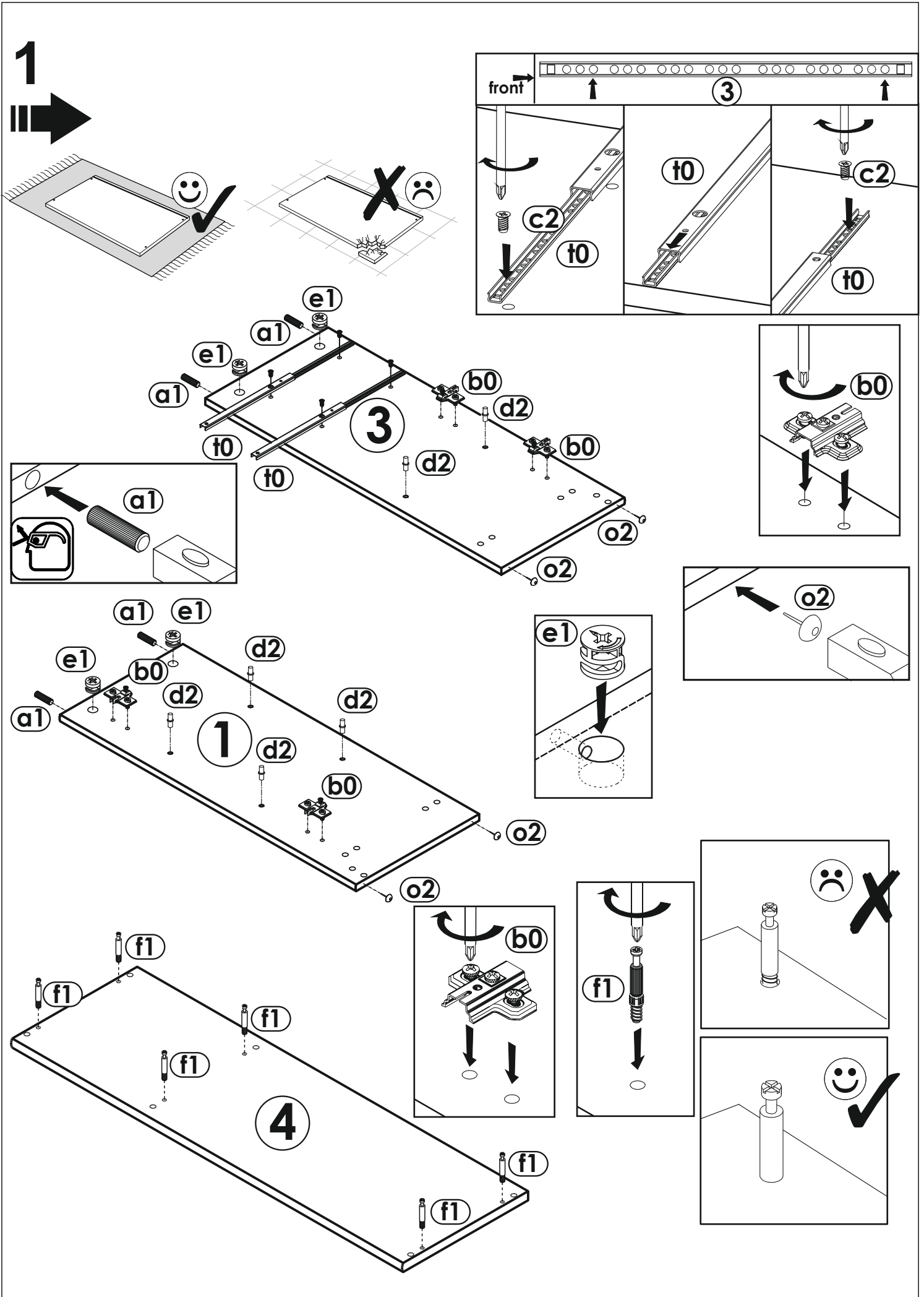
x....(x1) | t0

x....(x4) |

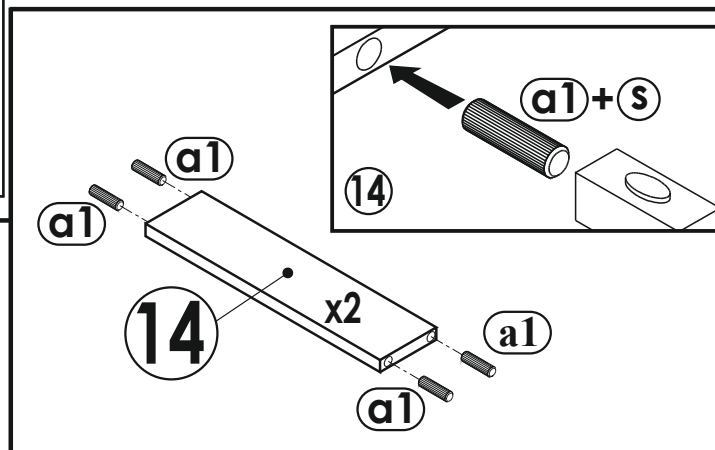
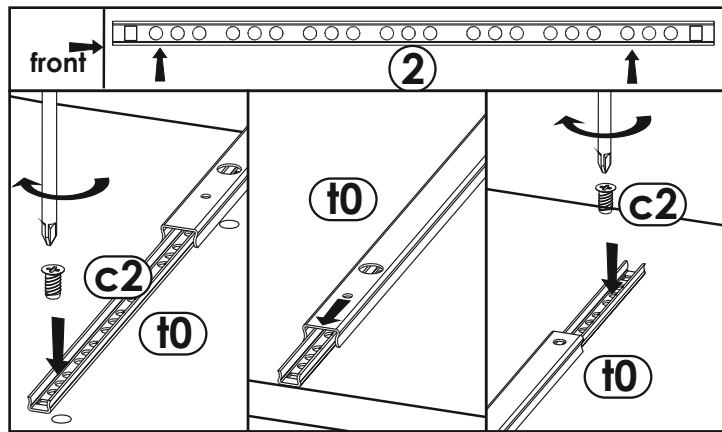
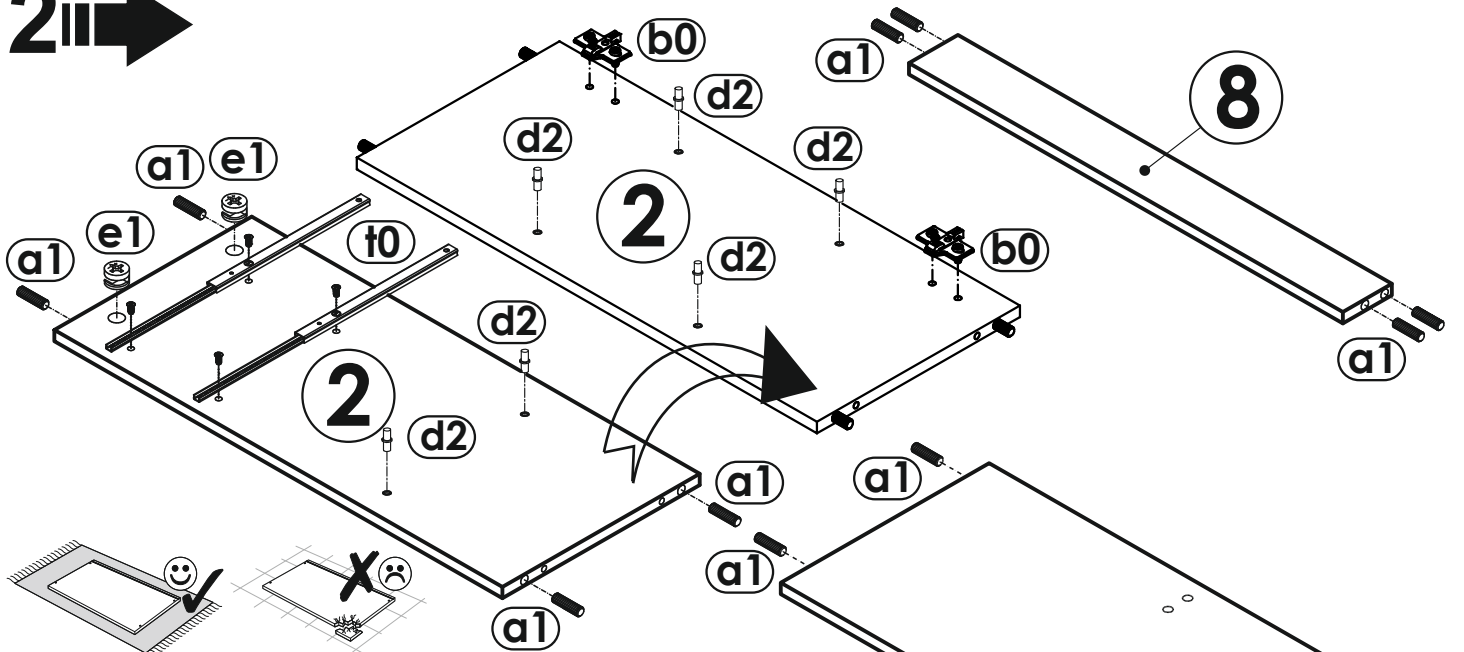


- 90 min.

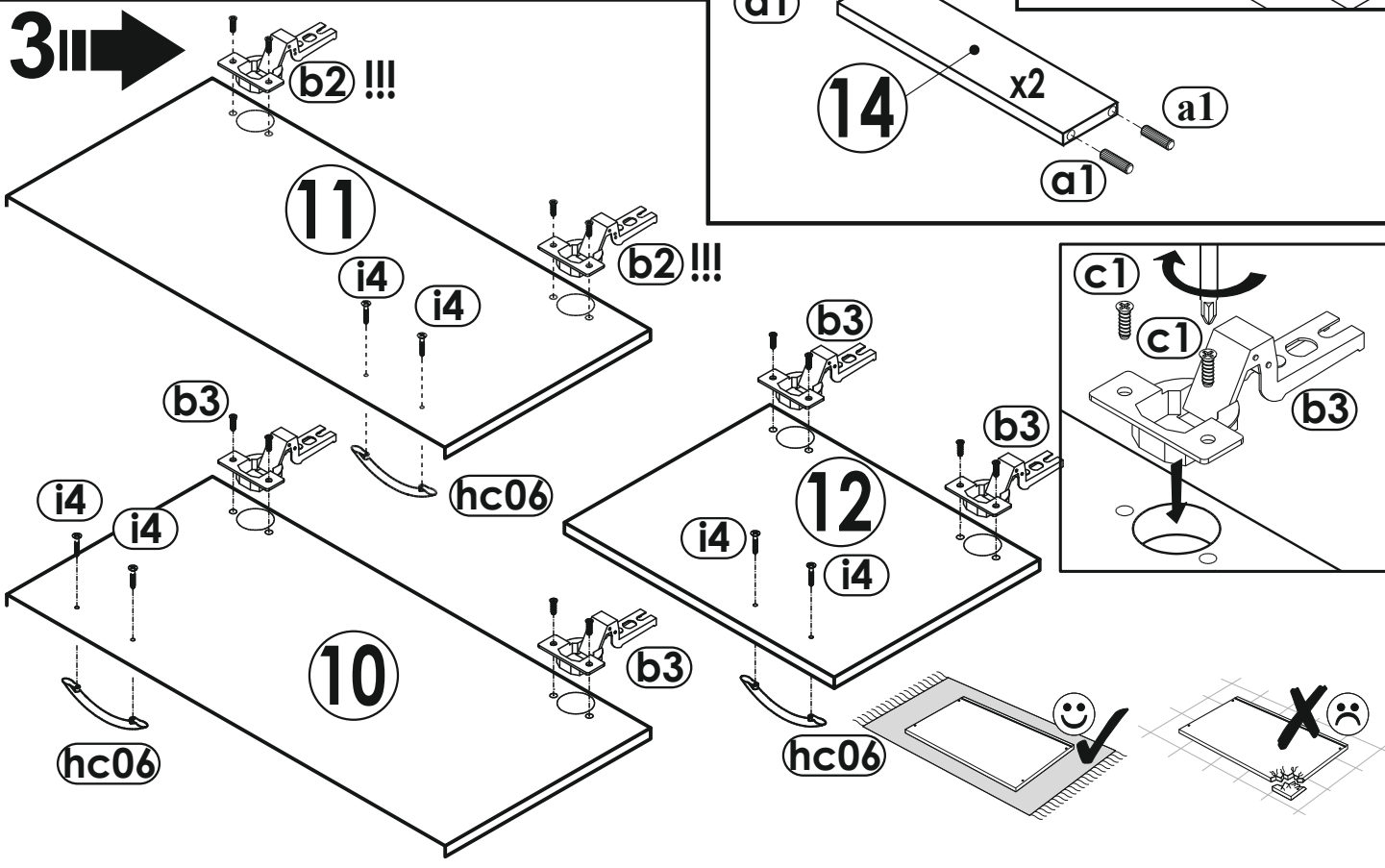




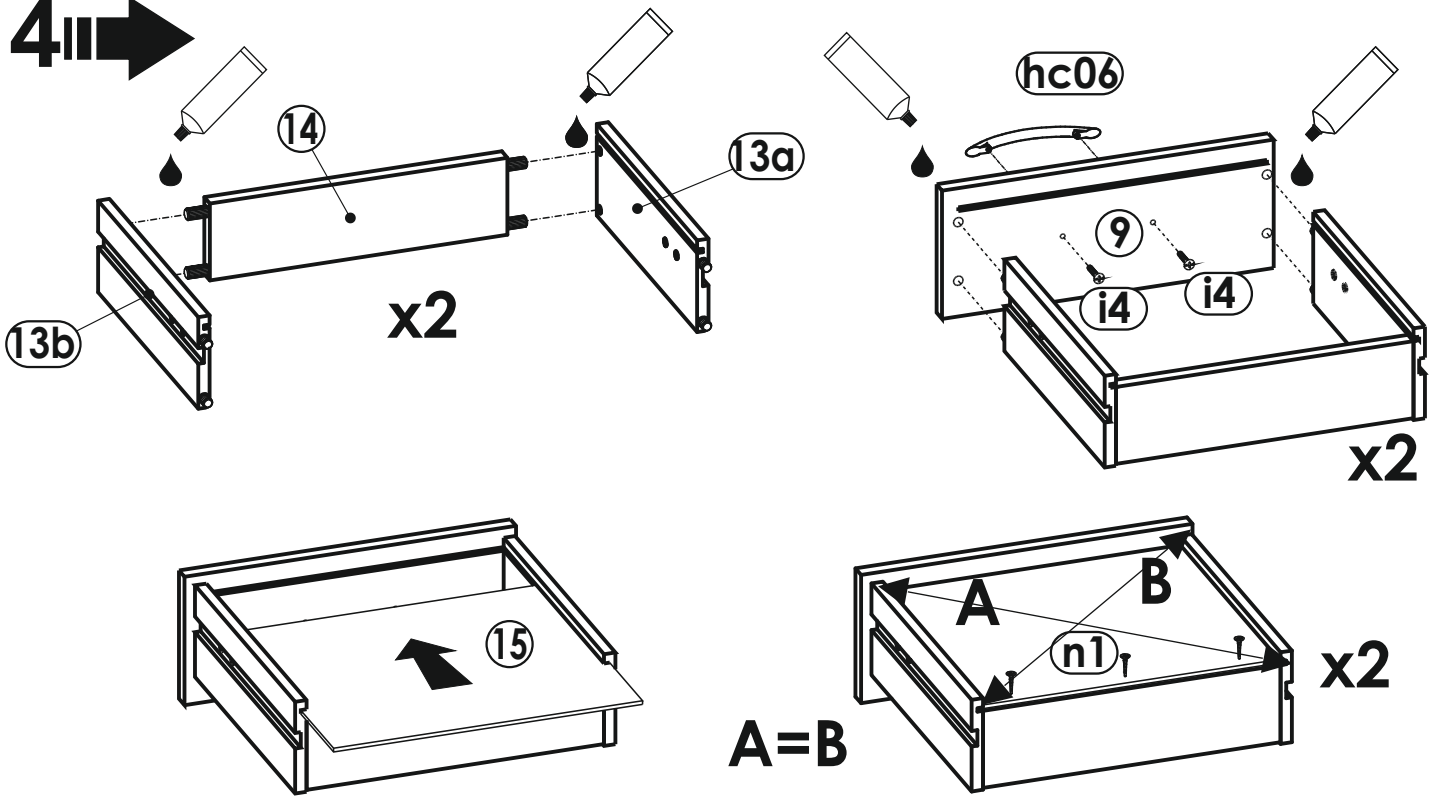
2 II →



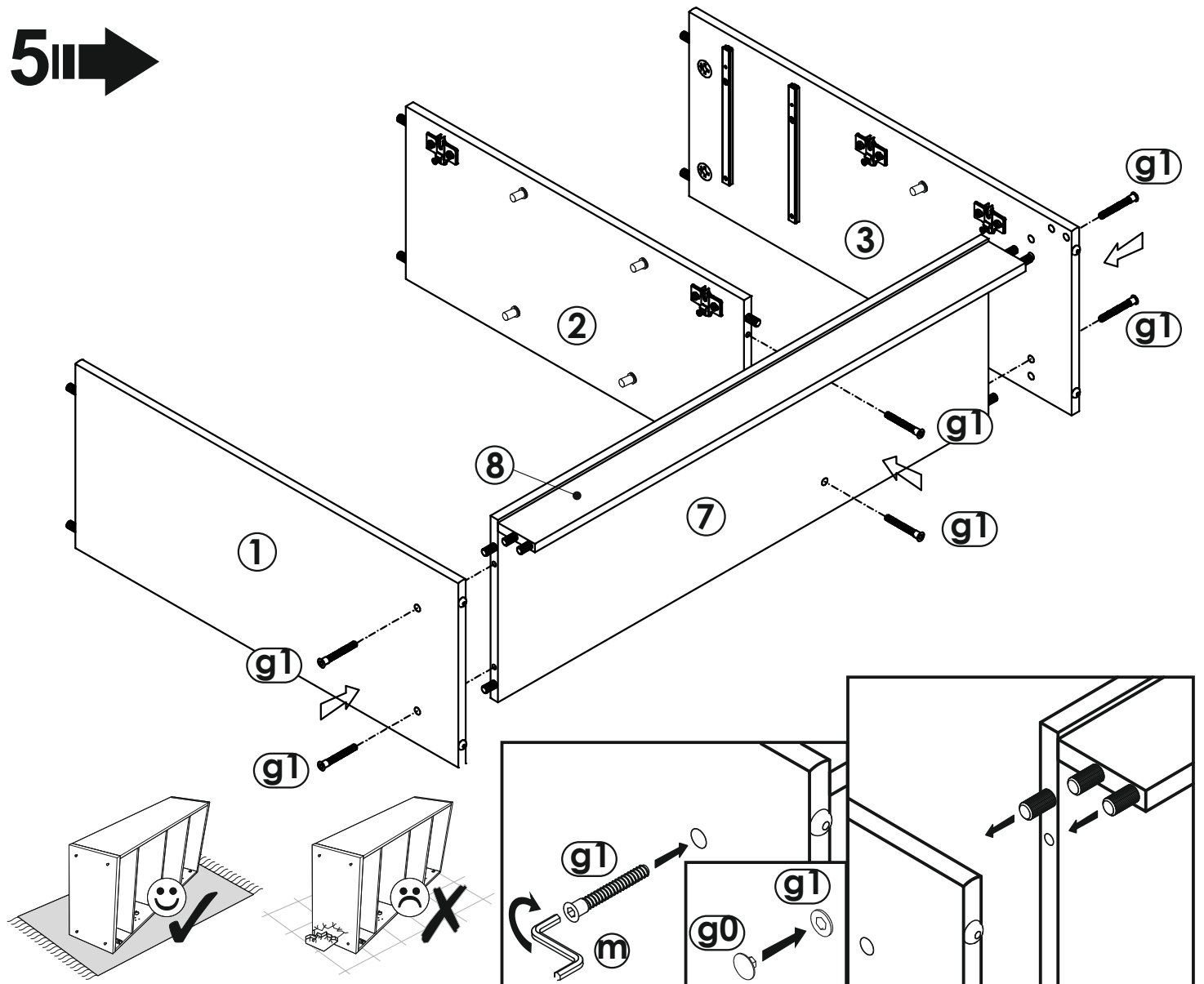
3 II →



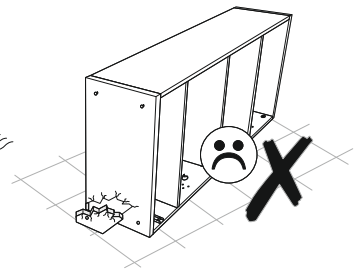
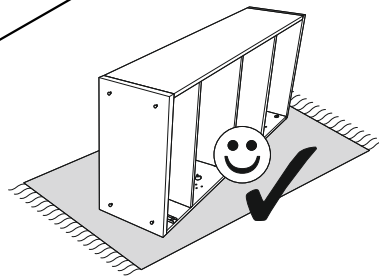
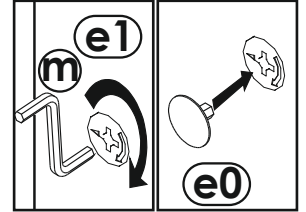
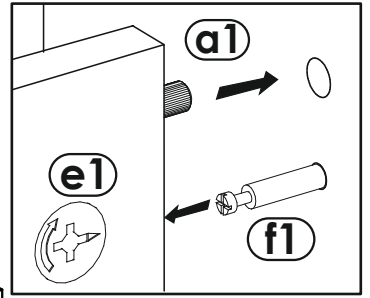
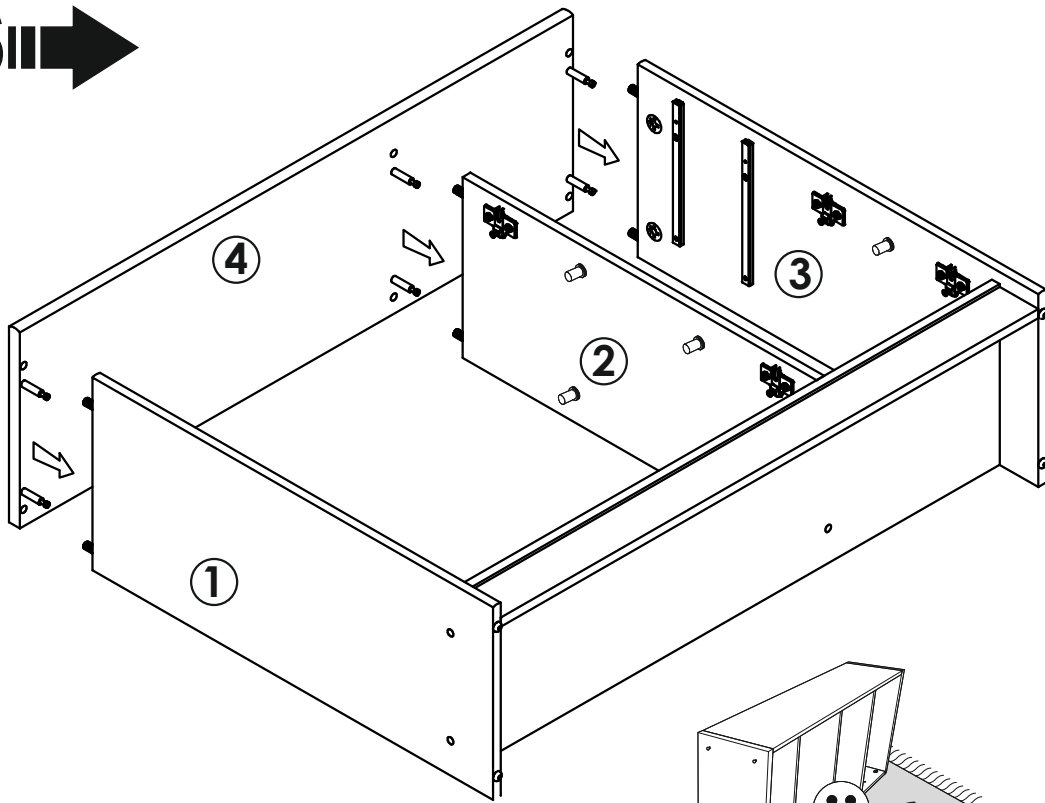
4




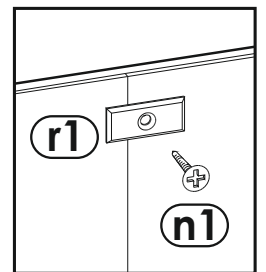
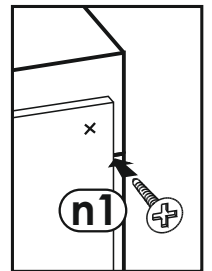
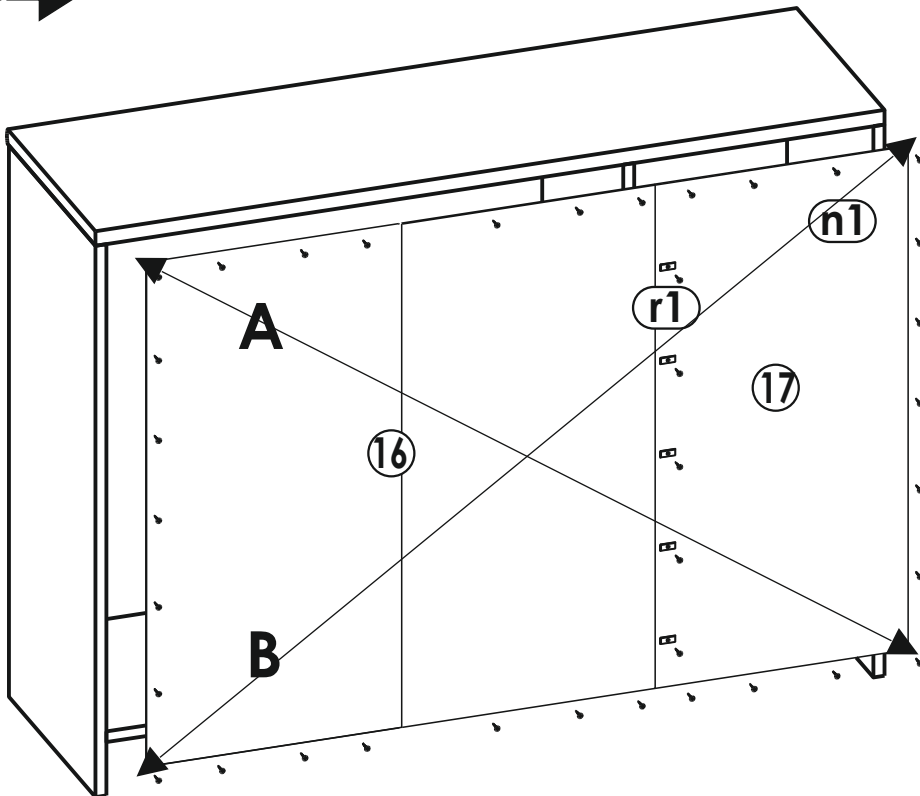
5



6 



7 



A=B

8 