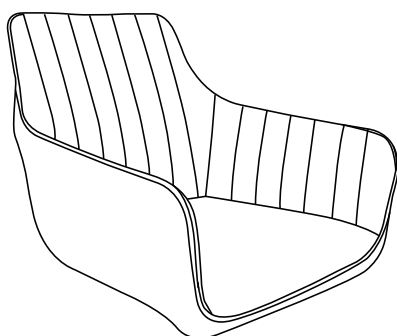
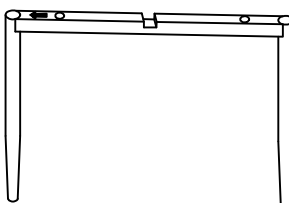


ADUNO II (GDC0084Aa-2)

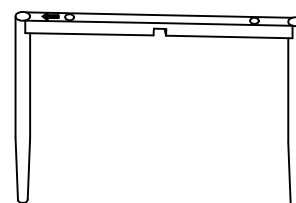
1



2

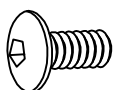


3



1	1X
2	1X
3	1X

A



M6x16mm
4X

B



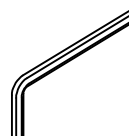
M6x40mm
4X

C



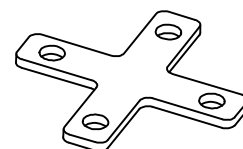
Ø16xØ6x1.5mm
4X

D



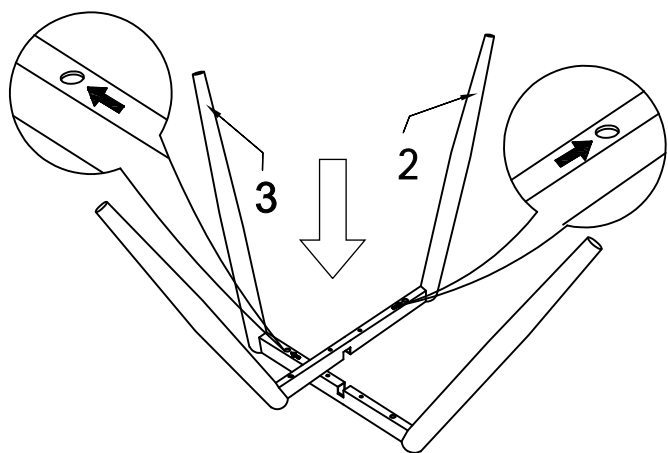
5MM
1X

E

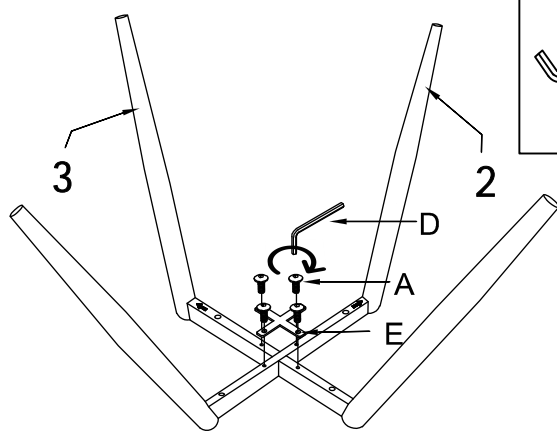


15x85x85
1X

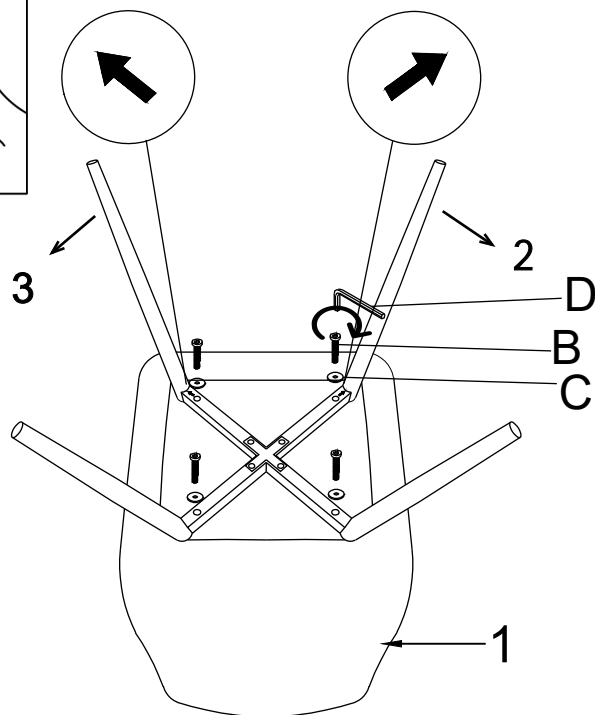
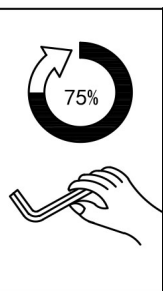
1



2



3



4

