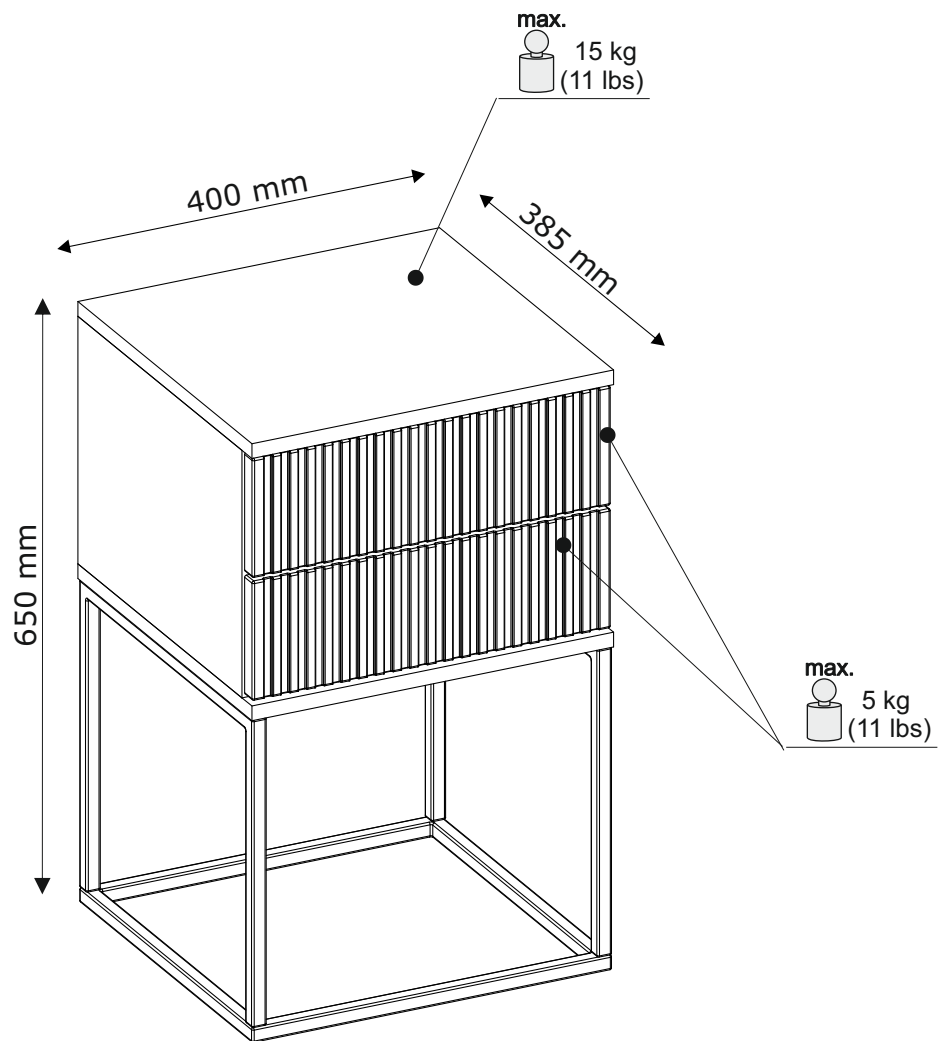
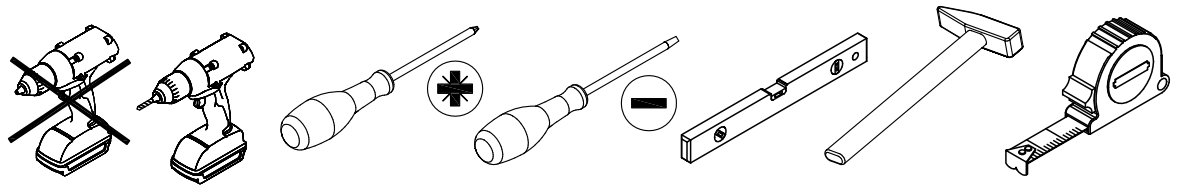


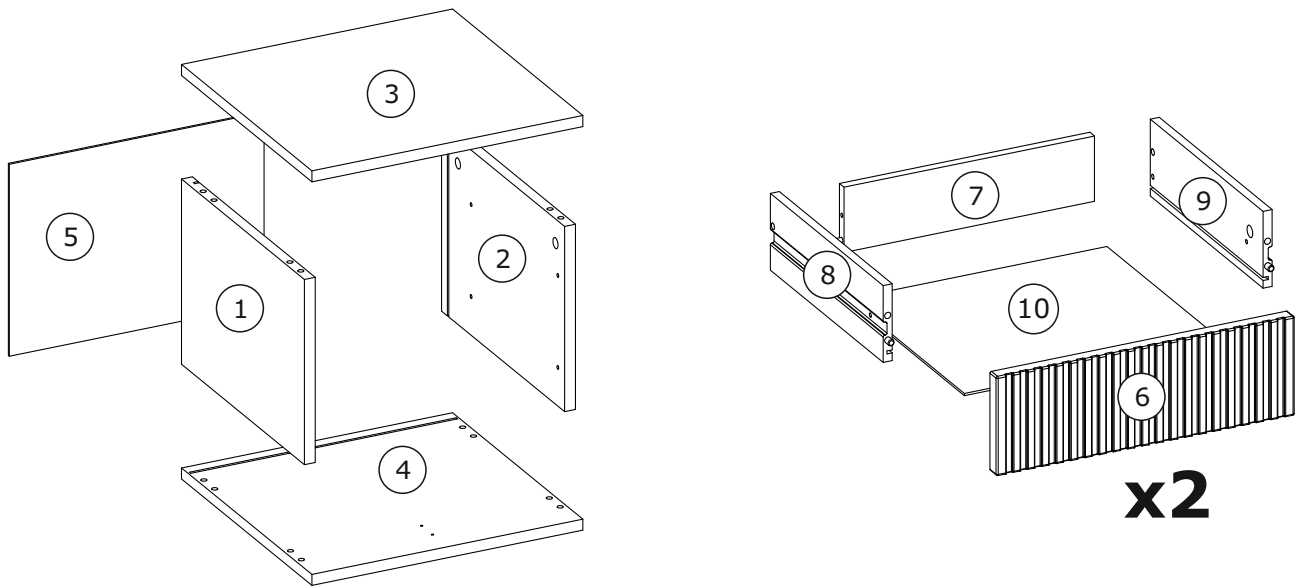


3019957

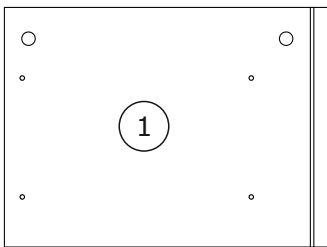




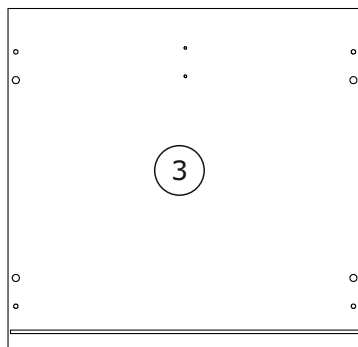
<p>A x 8</p>  <p>Ø8x35 mm</p>	<p>B x 4</p>  <p>Ø6x30 mm</p>	<p>C x 4</p>  <p>Ø7x50 mm</p>	<p>D x 4</p>  <p>Ø7x60 mm</p>	<p>E x 1</p>  <p>● 4 mm</p>
<p>F x 4</p>  <p>20 mm</p>	<p>G x 4</p>  <p>Ø15x12 mm</p>	<p>H x 8</p>  <p>Ø5x44 mm</p>	<p>I x 5</p>  <p>3,5x16 mm</p>	<p>J x 8</p>  <p>Ø6,3x13 mm</p>
<p>K x 4</p>  <p>4x9 mm</p>	<p>L x 6</p>  <p>Ø3x20 mm</p>	<p>M x 4</p>  <p>10x10 mm</p>	<p>N x 1</p> 	<p>O x 4</p>  <p>Ø 12x10 mm</p>
<p>P x 4</p>  <p>310 mm</p>		<p>Q x 4</p>  <p>20 mm</p>	<p>R x 2</p> 	<p>S x 4</p>  <p>14 mm</p>
<p>T x 1</p>  <p>● 5 mm</p>	<p>U x 1</p> 			



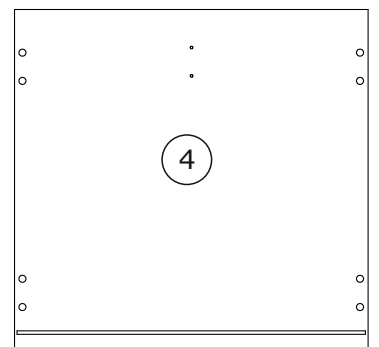
BOX 1/1:



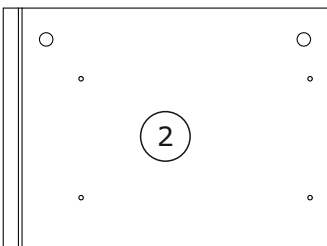
363x268x16 mm



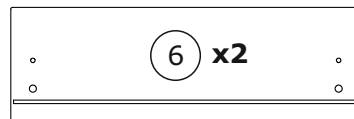
400x385x16 mm



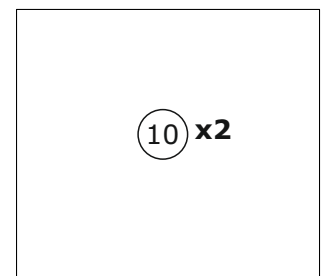
400x385x16 mm



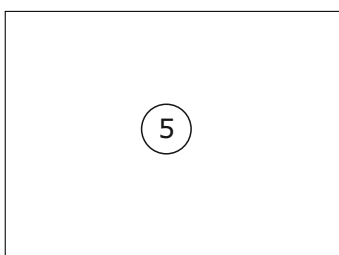
363x268x16 mm



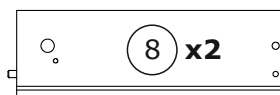
396x129x18 mm



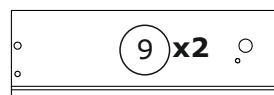
343x307x3 mm



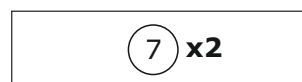
376x278x3 mm



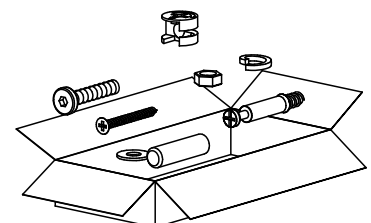
300x100x12 mm



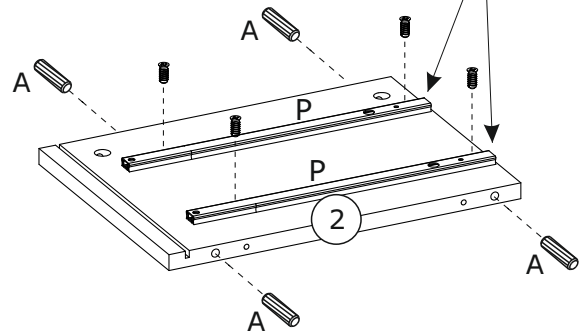
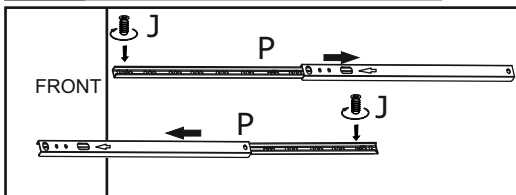
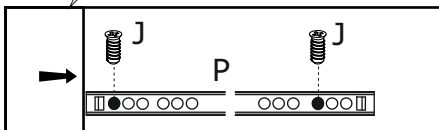
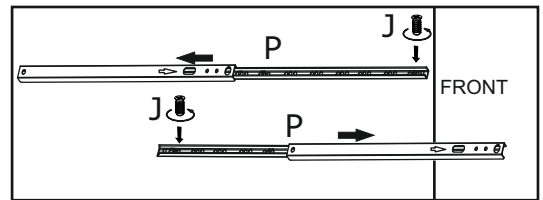
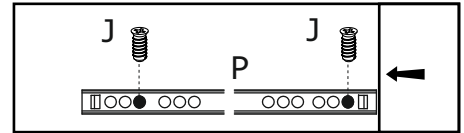
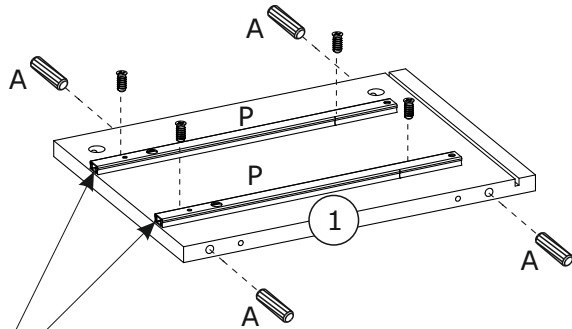
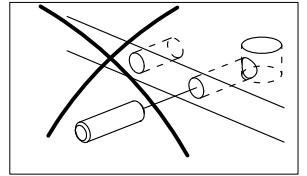
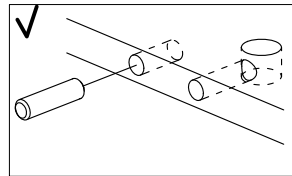
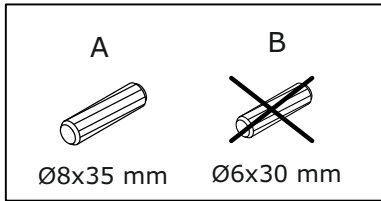
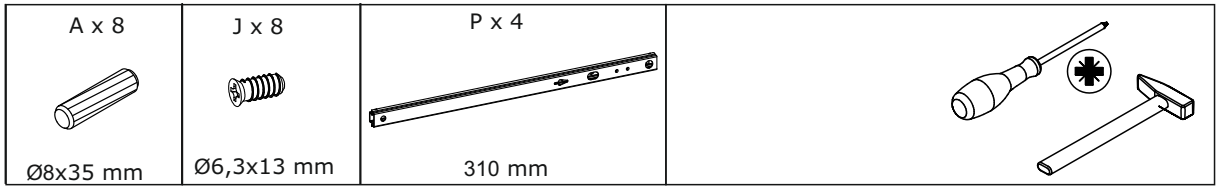
300x100x12 mm



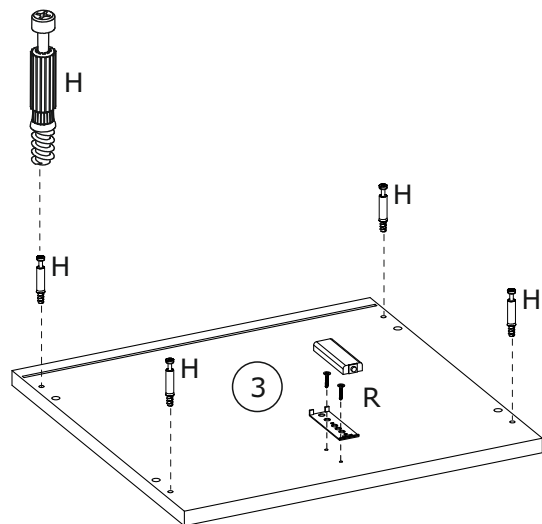
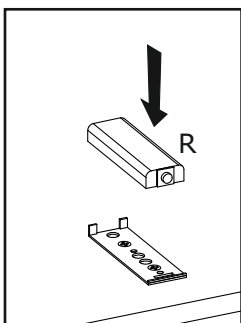
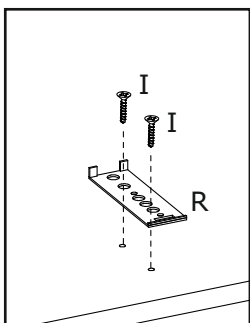
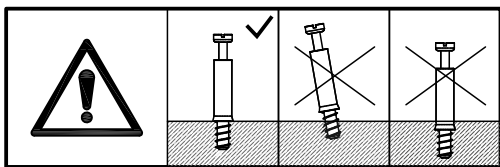
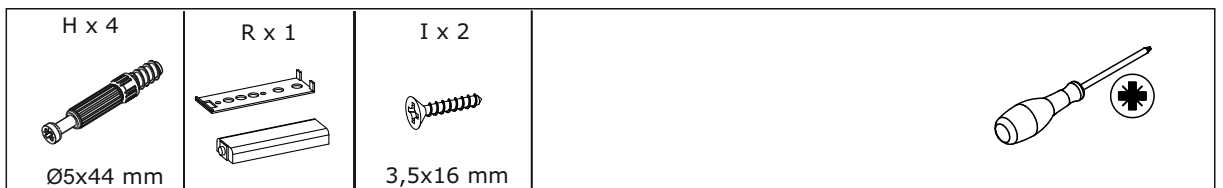
333x85x12 mm




1

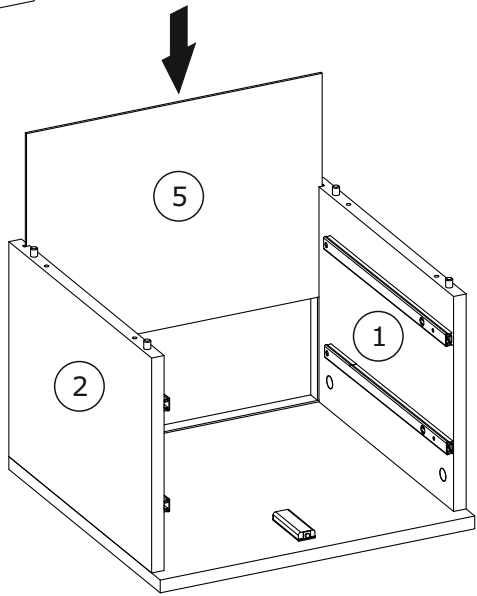
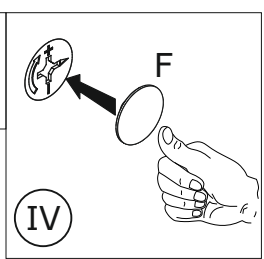
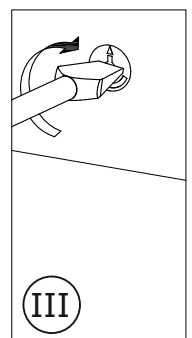
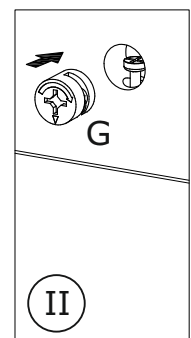
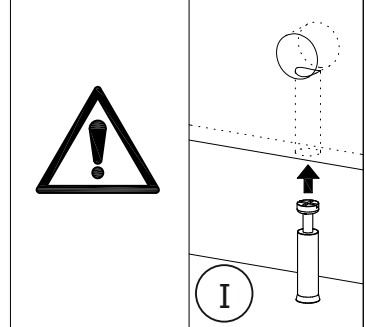
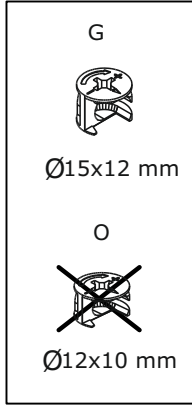
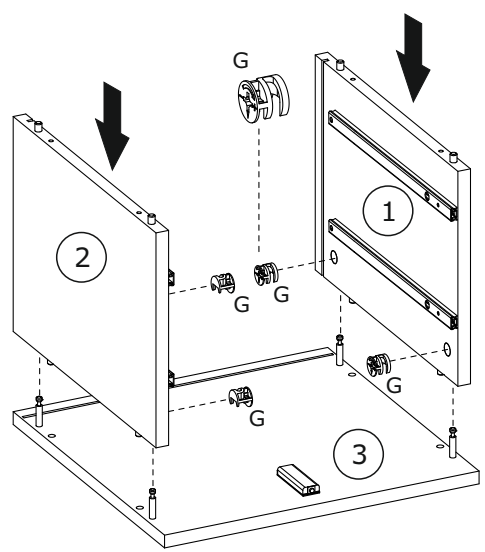


2

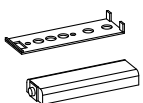


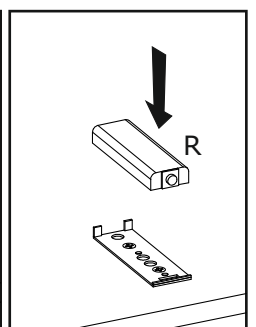
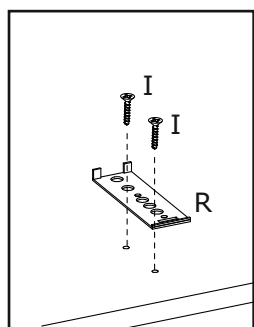
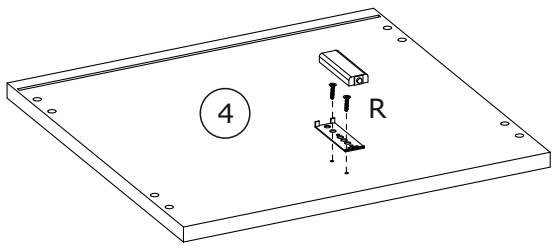
3

G x 4  Ø15x12 mm	F x 4  20 mm	
---	---	---

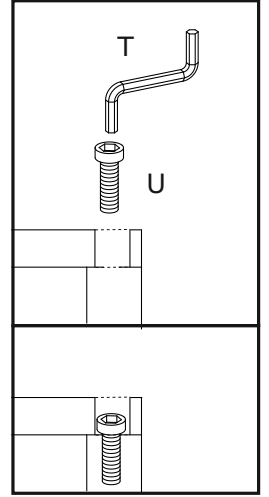
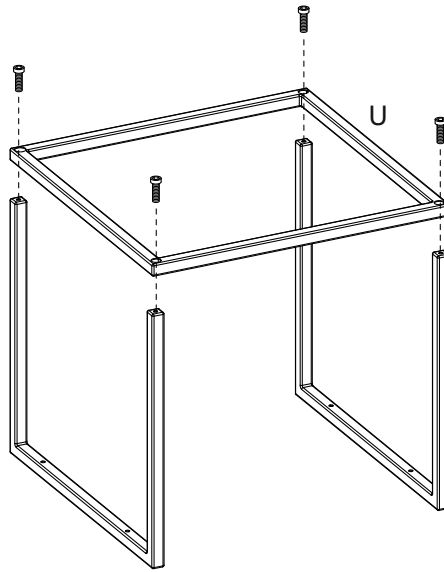
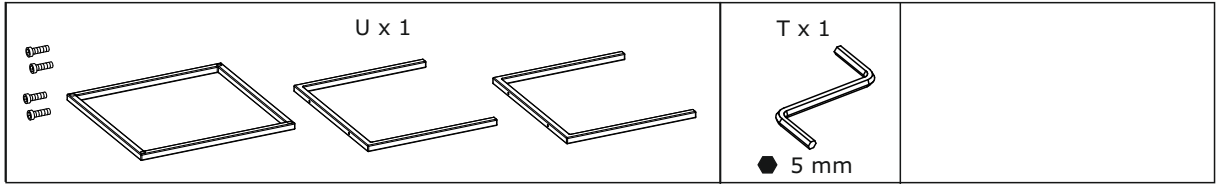


4

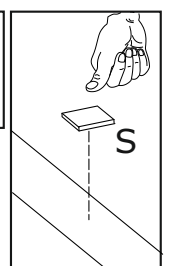
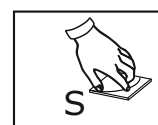
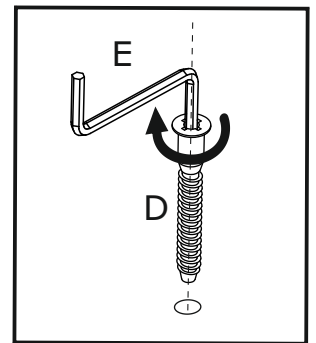
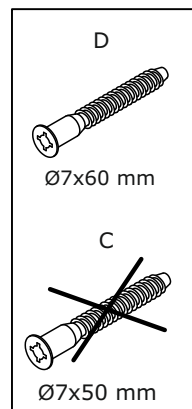
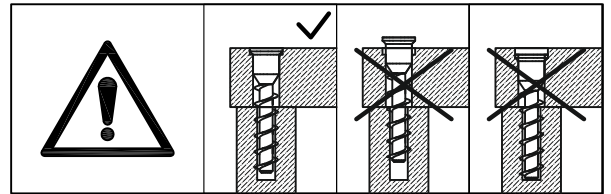
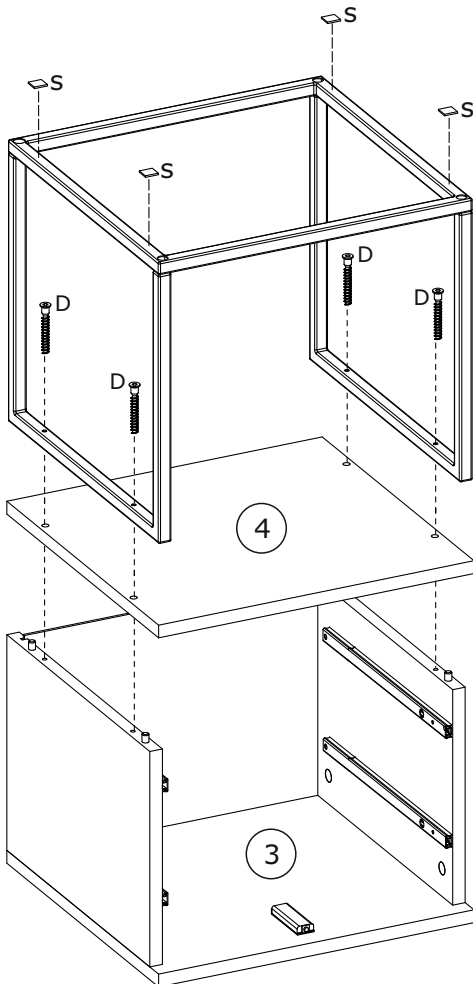
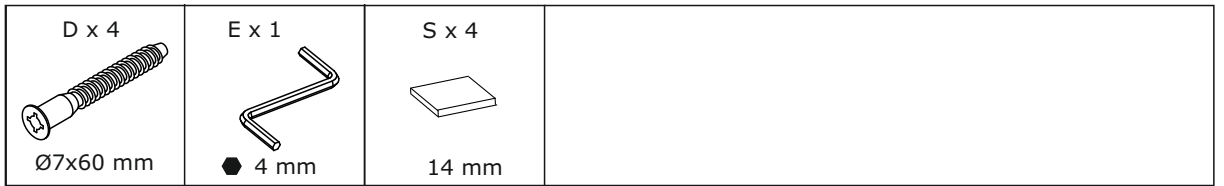
R x 1 	I x 2  3,5x16 mm	
--	---	---



5



6

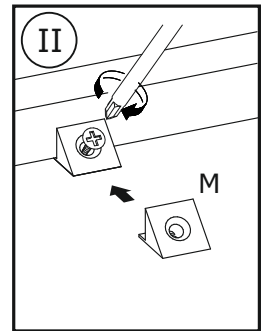
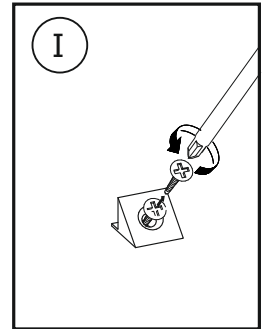
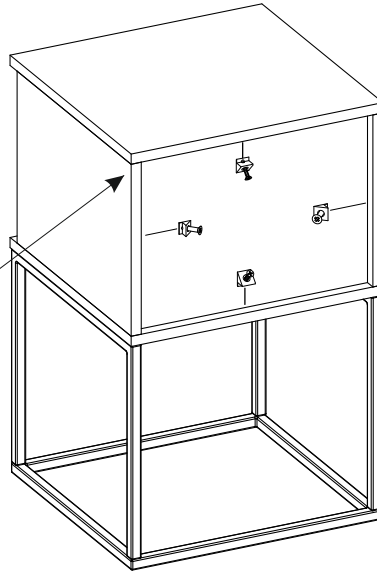
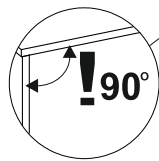
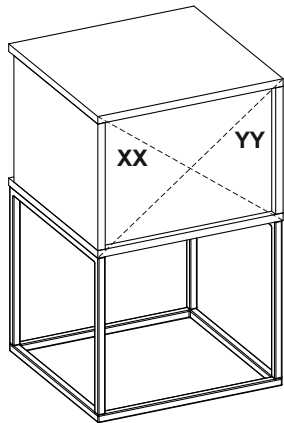


7

M x 4  10x10 mm		
--	--	---

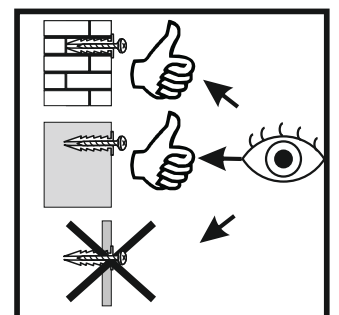
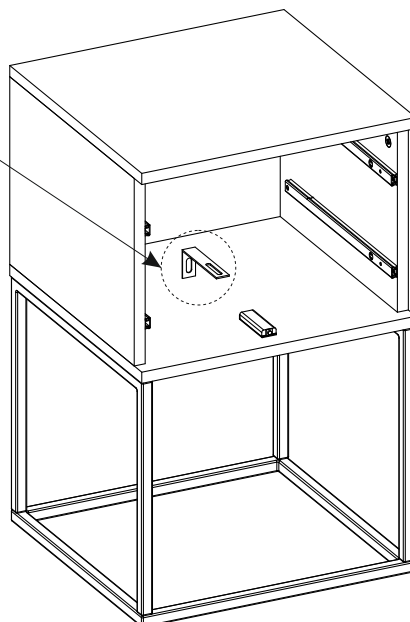
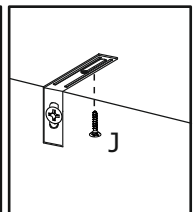
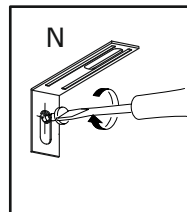
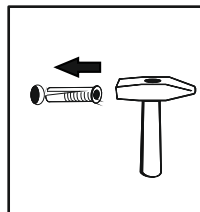
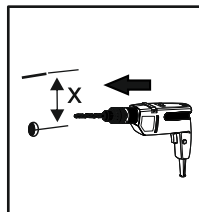
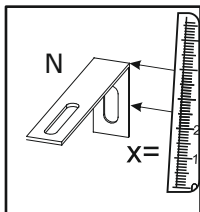
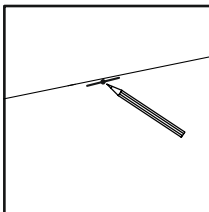


$XX = YY = 90^\circ$



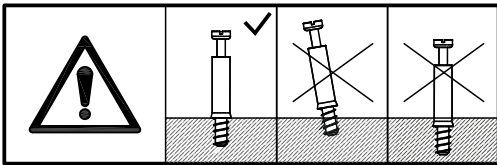
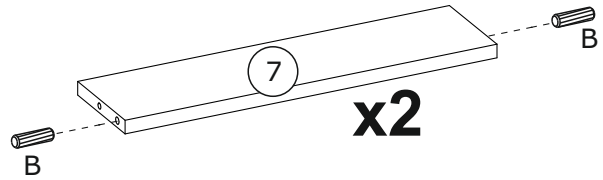
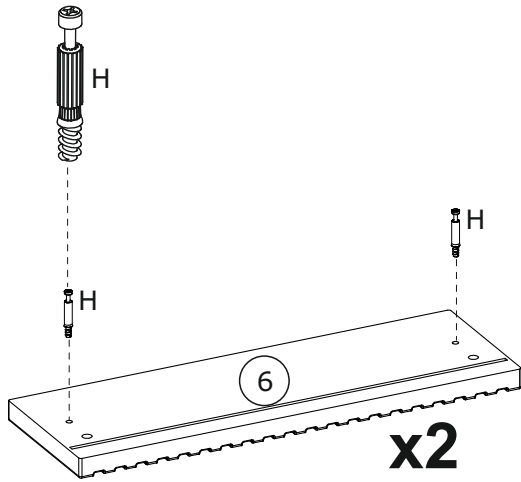
8

N x 1 	J x 1  3,5x16 mm	
--	---	---



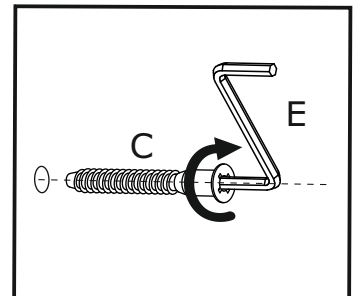
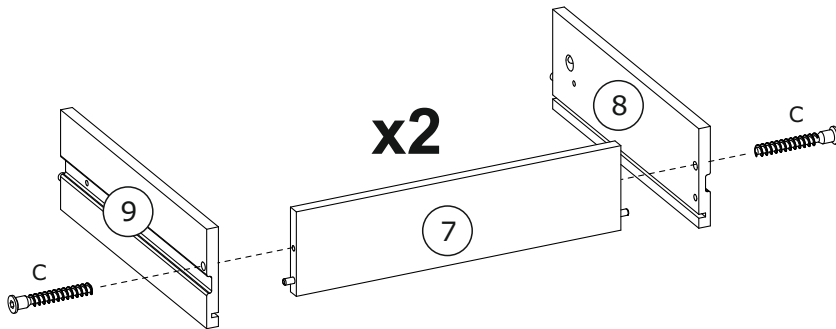
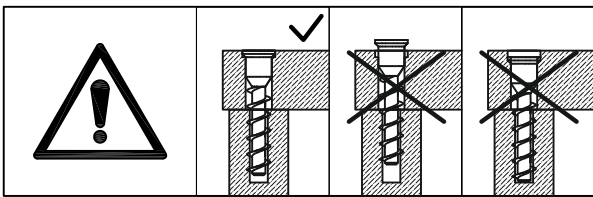
9

H x 4  Ø5x44 mm	B x 4  Ø6x30 mm	
--	--	---





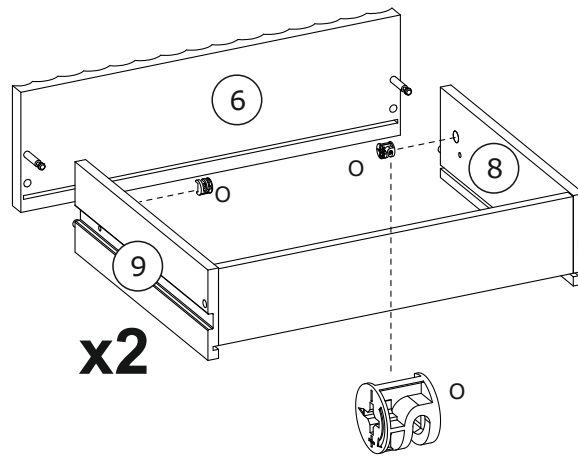
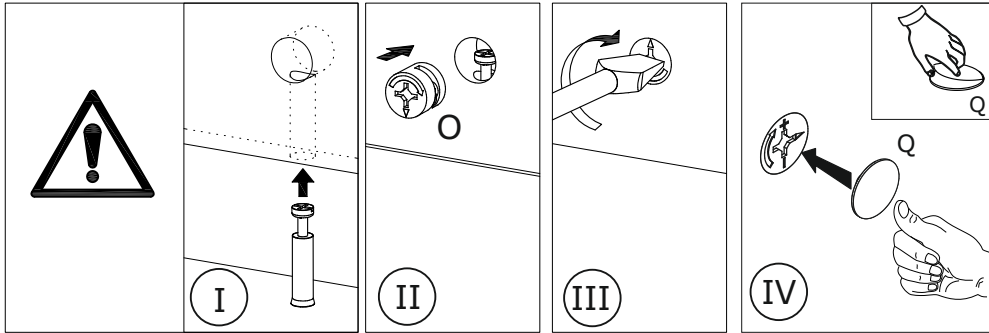
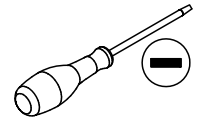
10

C x 4  Ø7x50 mm	E x 1  ● 4 mm	
--	--	--




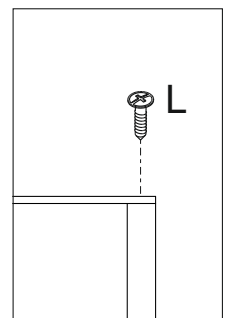
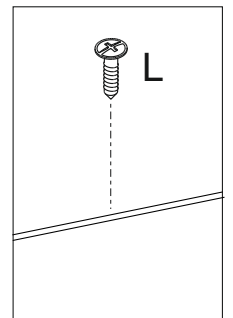
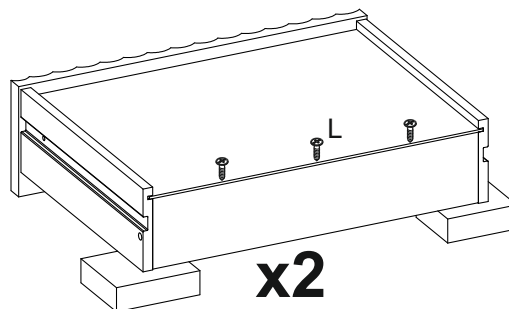
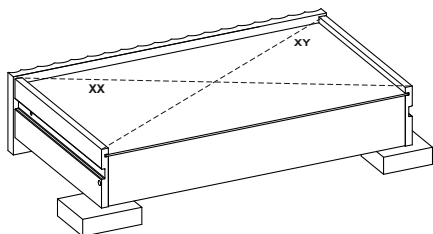
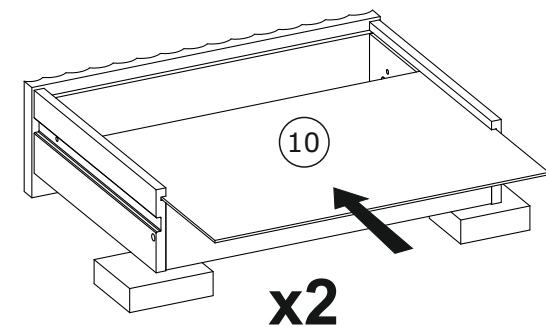
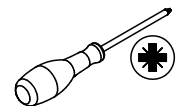
11

O x 4  Ø12x10 mm	Q x 4  20 mm
---	---



12

L x 6  Ø3x20 mm
--



13

K x 4



4x9 mm

