

SYLADE : SH230330-6

x2

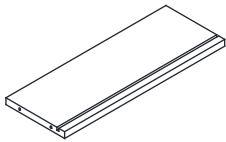
<b>A</b>  Φ6x30 x25	<b>B</b>  Φ6x35 x24	<b>C</b>  Φ15x12 x16	<b>D</b>  Φ15x9.5 x8	<b>E</b>  Φ3x12 x12	<b>F</b>  Φ4x30 x20	<b>G</b>  Φ6x20 x2	<b>H</b>  20x20x18 x2	<b>J</b>  Φ4x16 x2	<b>K</b>  Φ4x25 x2
<b>L</b>  Φ20 x26	<b>M</b>  x4	<b>N</b>  x8	<b>P</b>  Φ3x16 x8	<b>Q</b>  Φ4x10 x4	<b>R</b>  x4				

<b>1</b>  805*400*15 x1	<b>2</b>  390*465*25 x1	<b>3</b>  390*465*25 x1	<b>4</b>  740*390*12 x1
-------------------------------	-------------------------------	-------------------------------	-------------------------------

<b>5</b>  390*350*15 x1	<b>6</b>  375*360*15 x1	<b>7</b>  362*60*15 x1	<b>8</b>  738*15*20 x1
-------------------------------	-------------------------------	------------------------------	------------------------------

<b>9</b>  380*40*15 x1	<b>10</b>  380*40*15 x1	<b>11</b>  755*40*15 x1	<b>12</b>  357*156*15 x2
------------------------------	-------------------------------	-------------------------------	--------------------------------

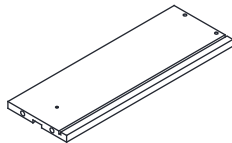
13



327\*120\*12

x2

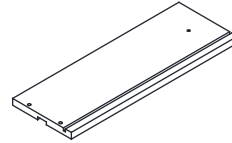
14



340\*120\*12

x2

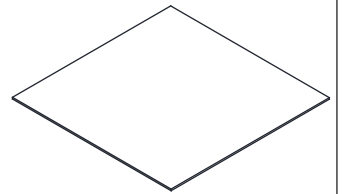
15



340\*120\*12

x2

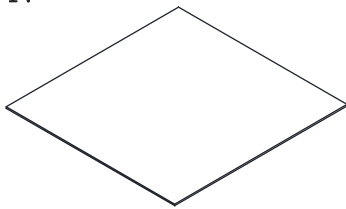
16



347\*334\*3

x2

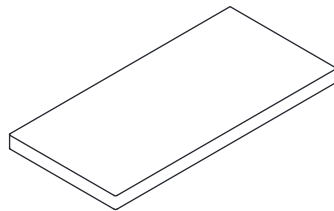
17



370\*360\*3

x2

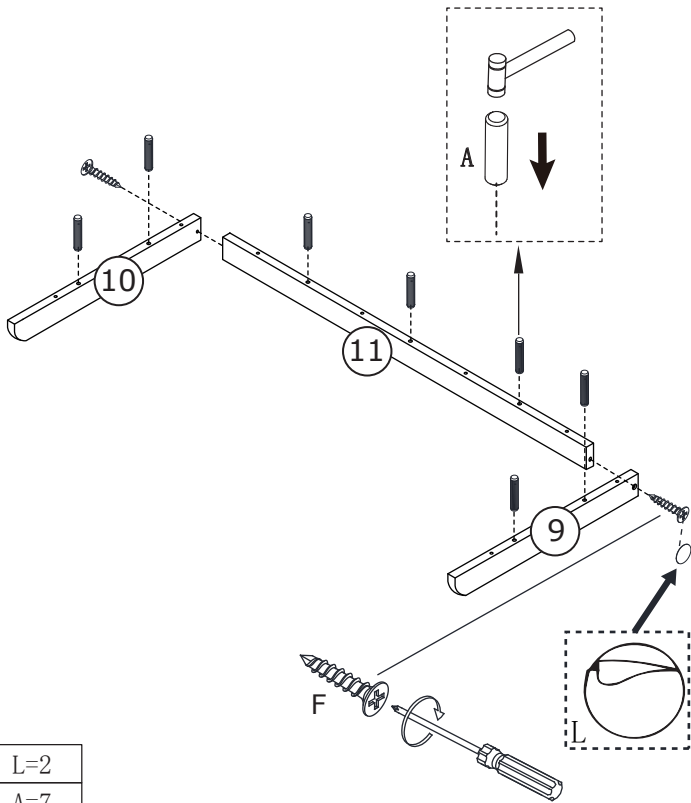
18



750\*362\*40

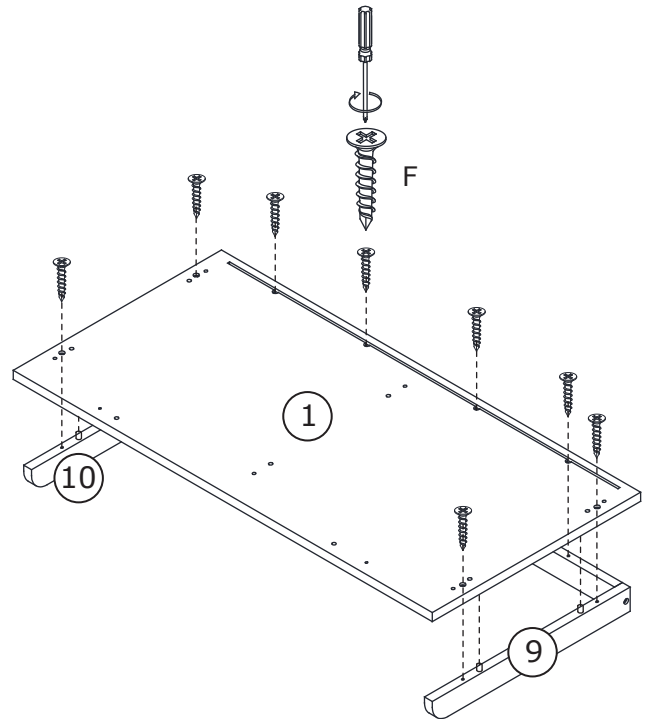
x1

1



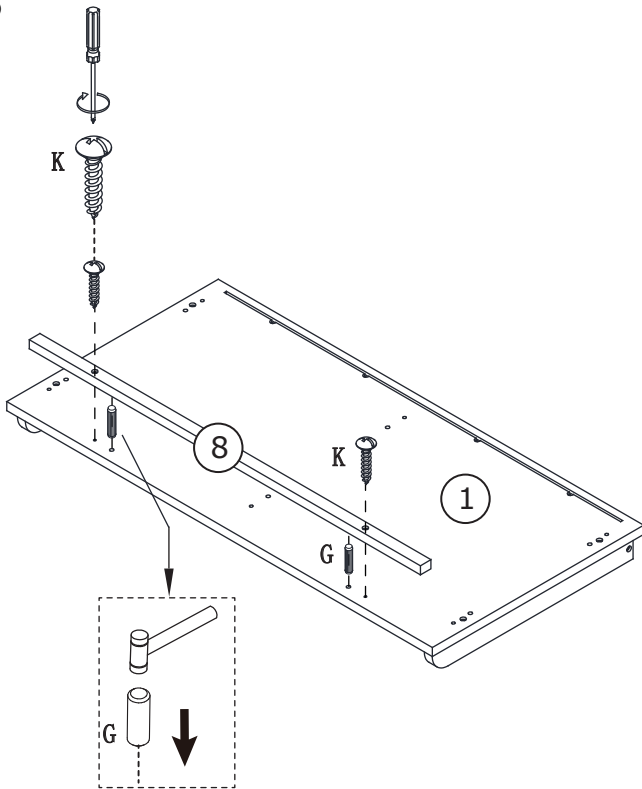
L=2  
A=7  
F=2

2



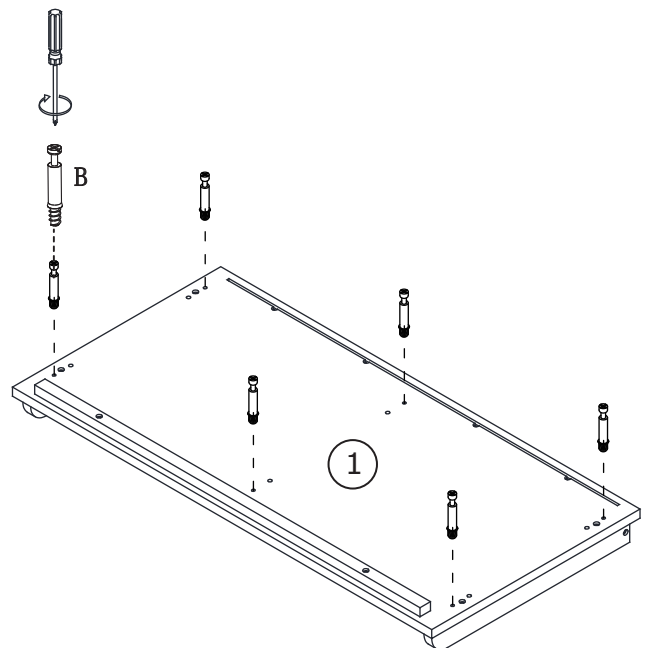
F=8

3



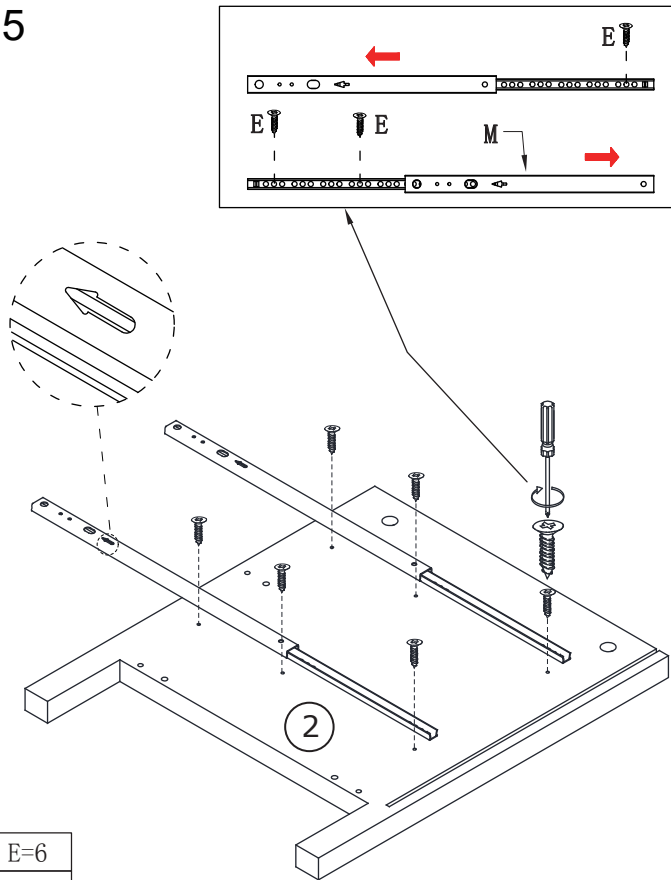
K=2  
G=2

4



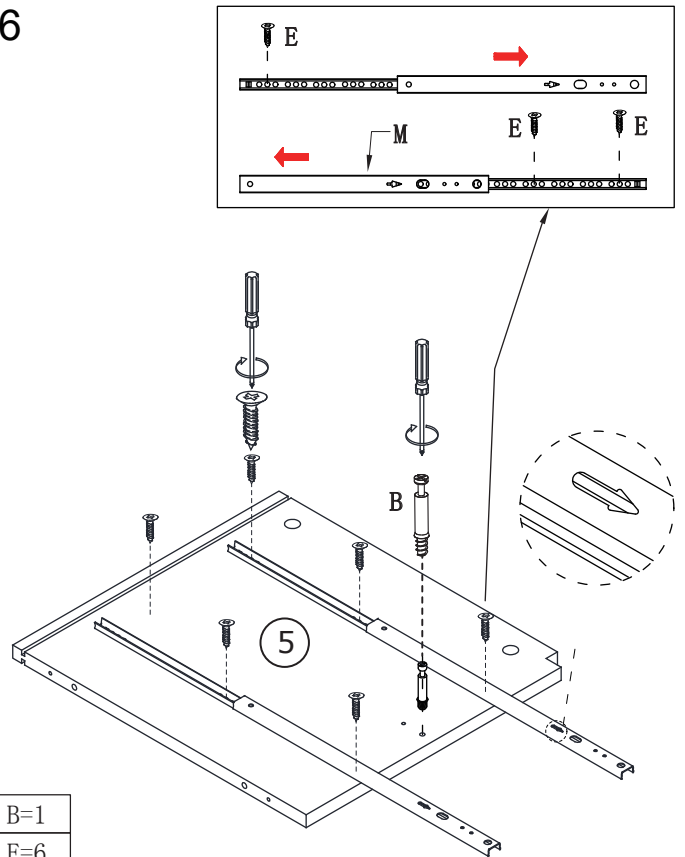
B=6

5



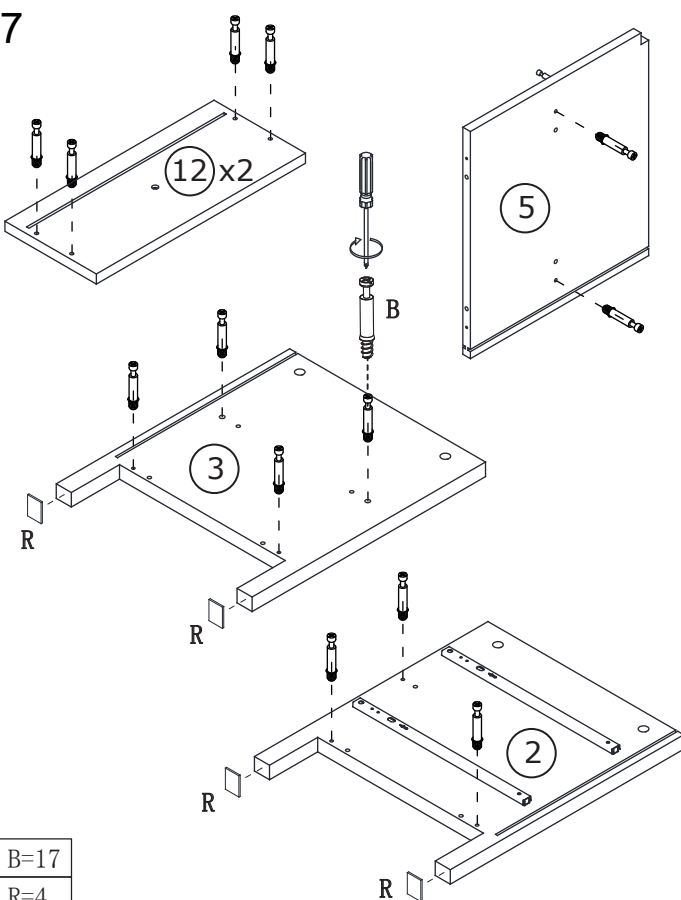
E=6
M=2

6



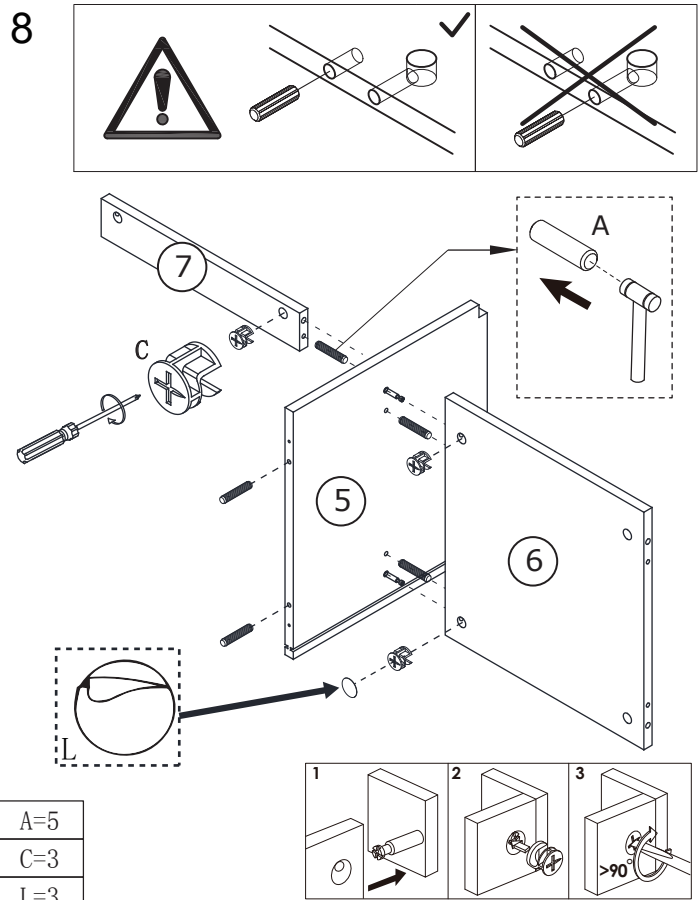
B=1
E=6
M=2

7



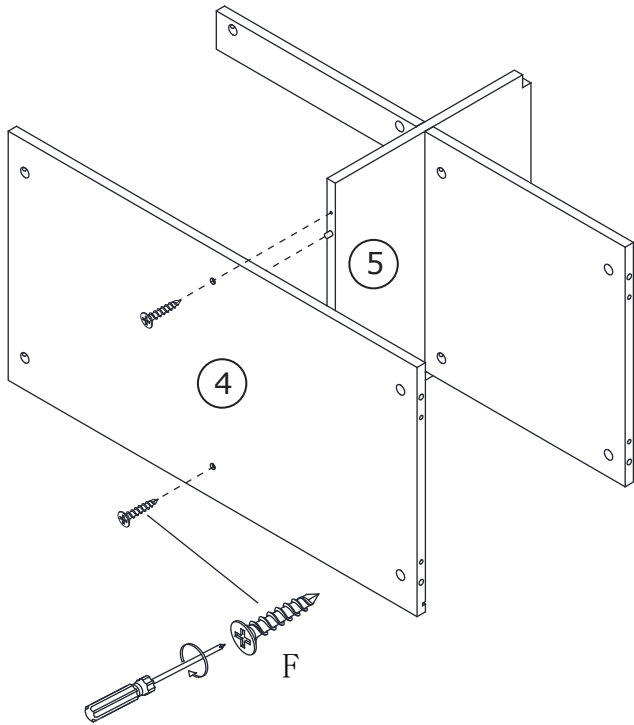
B=17
R=4

8



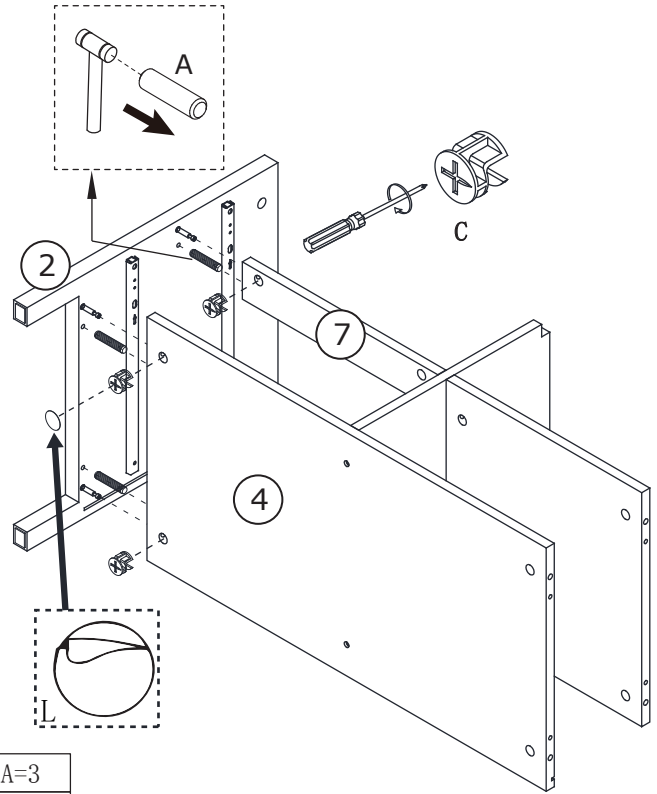
A=5
C=3
L=3

9



F=2

10

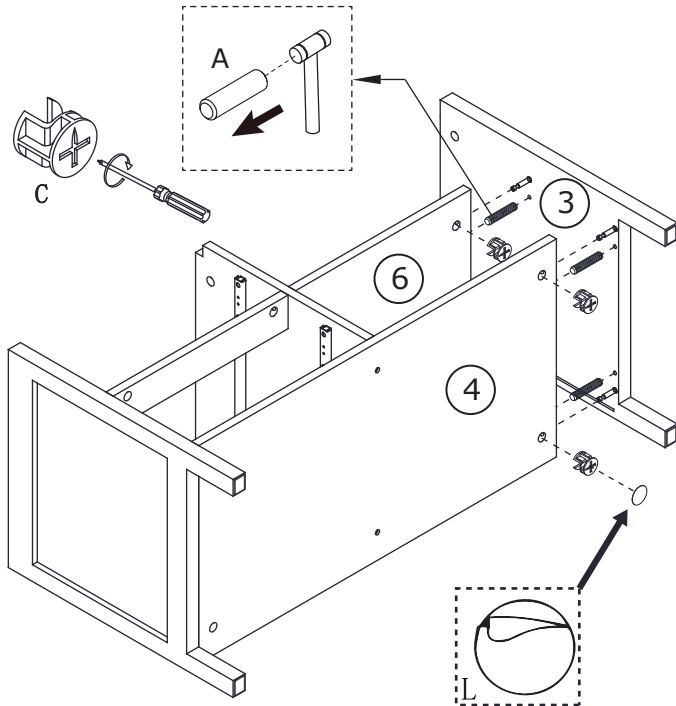


A=3

C=3

L=3

11

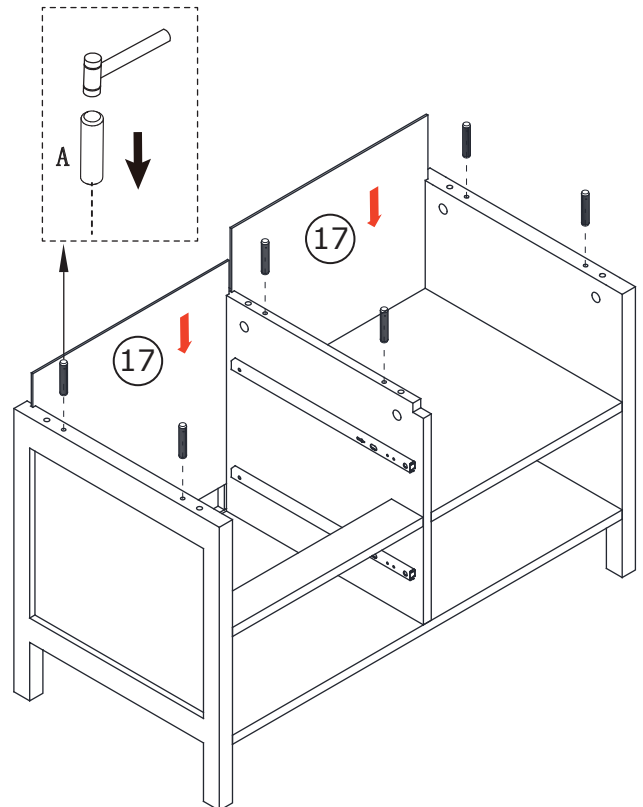


A=4

C=4

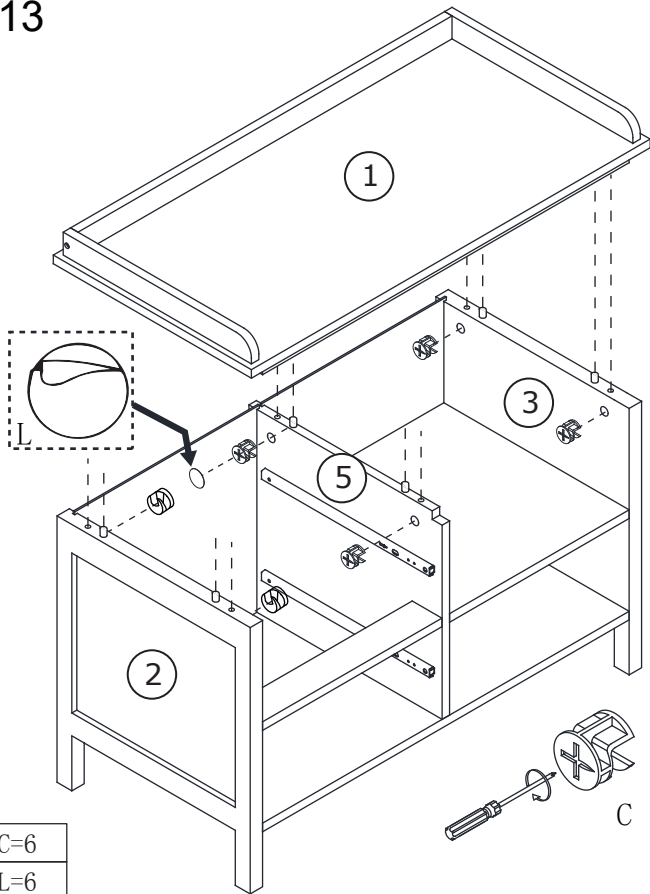
L=4

12



A=6

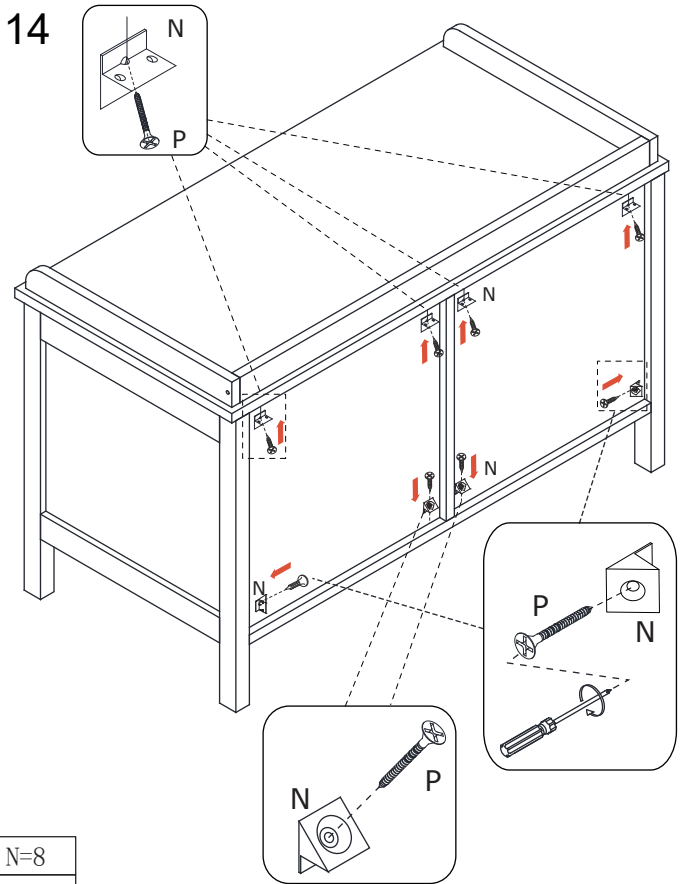
13



C=6

L=6

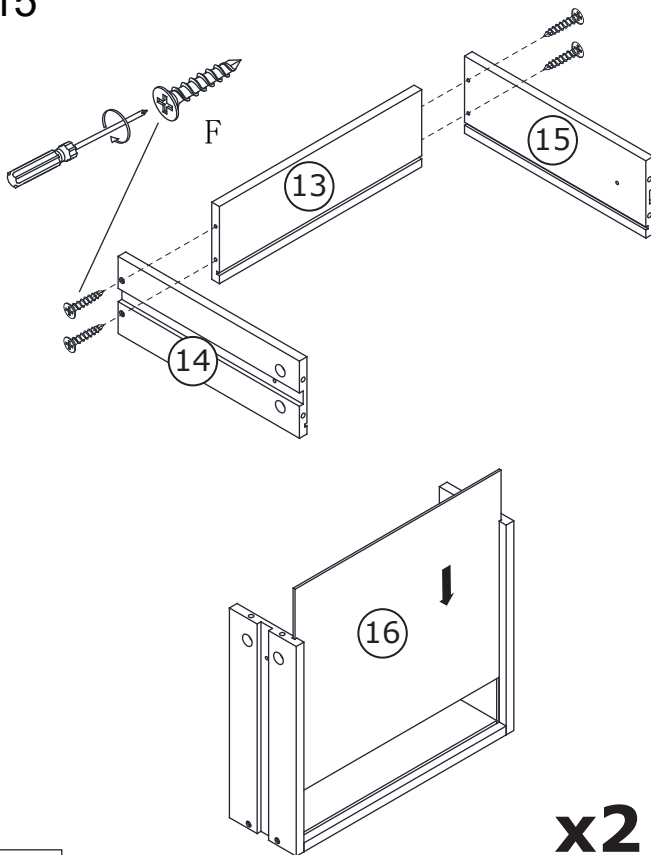
14



N=8

P=8

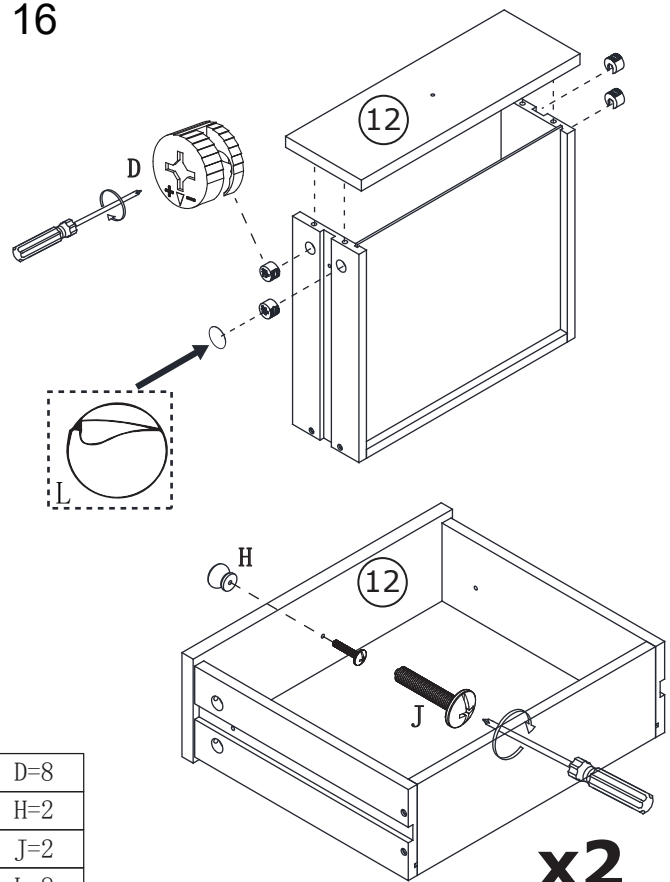
15



F=8

**x2**

16



D=8

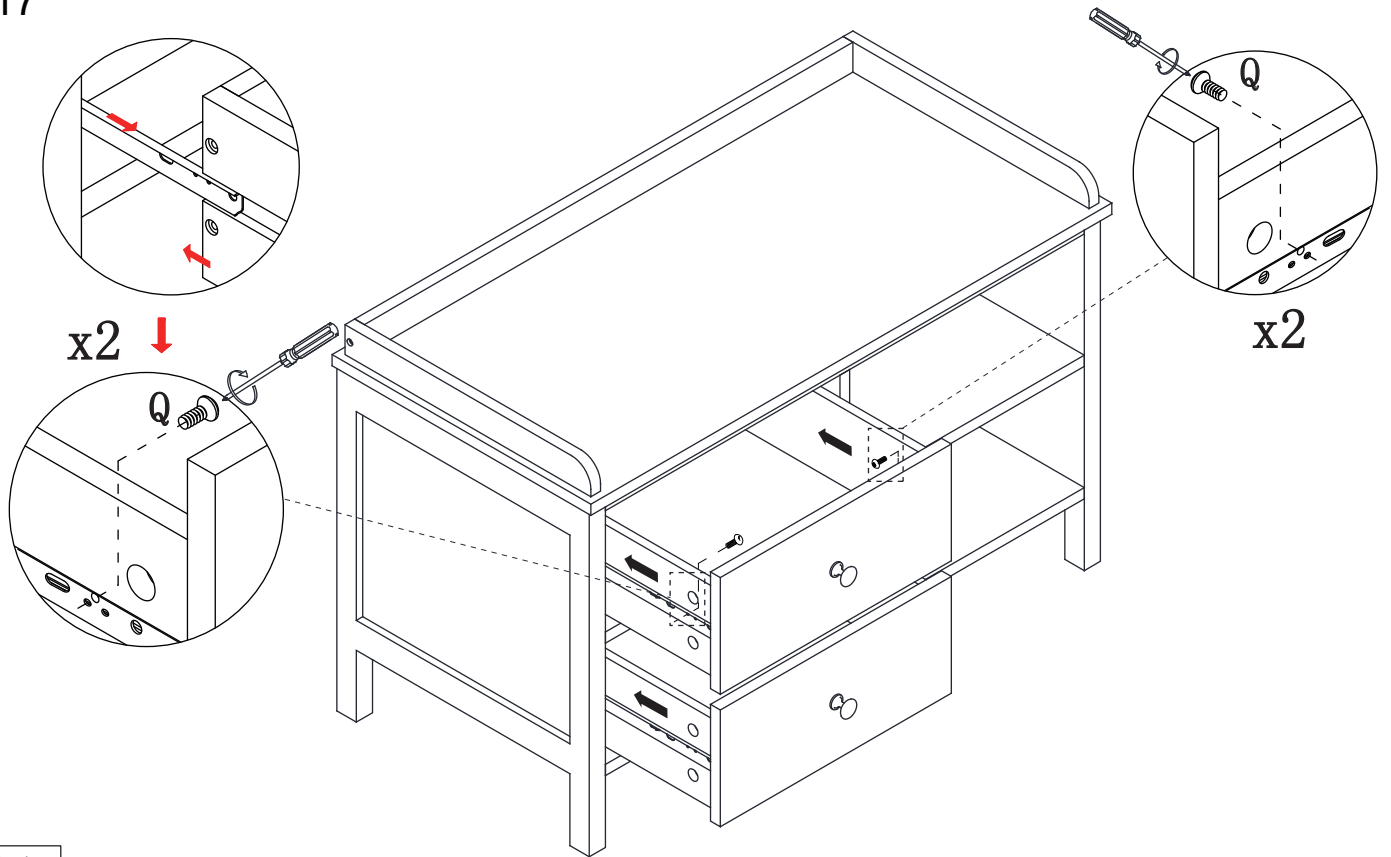
H=2

J=2

L=8

**x2**

17



Q=4

18

