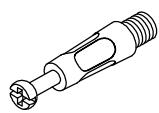


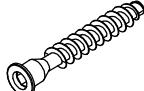

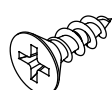
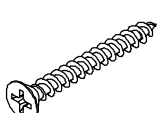

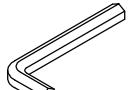
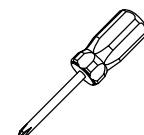
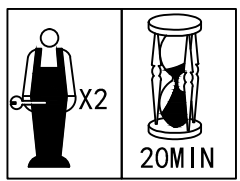
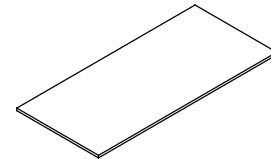
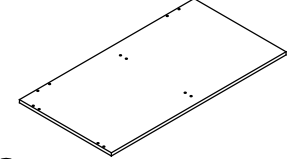
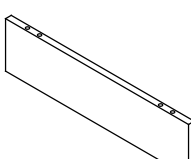
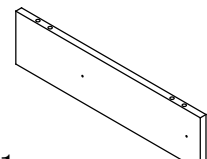
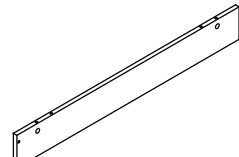
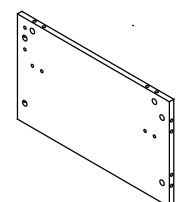
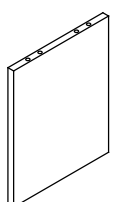
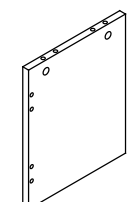
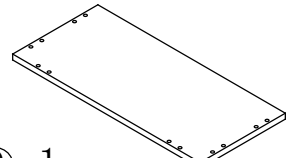
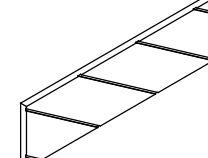
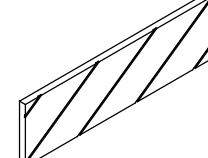
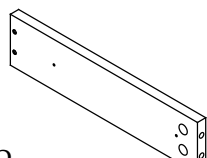
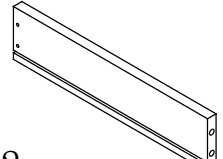
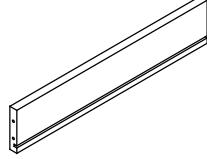
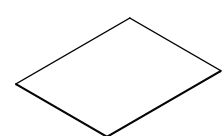


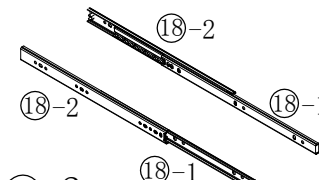
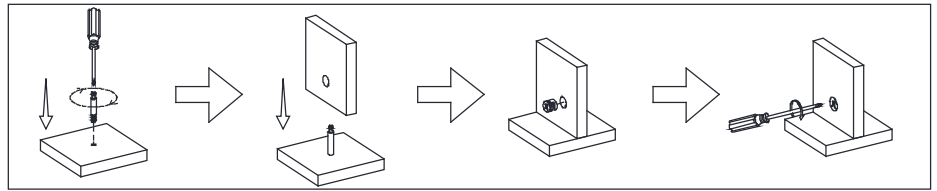
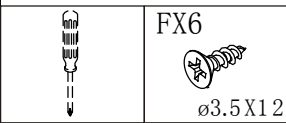
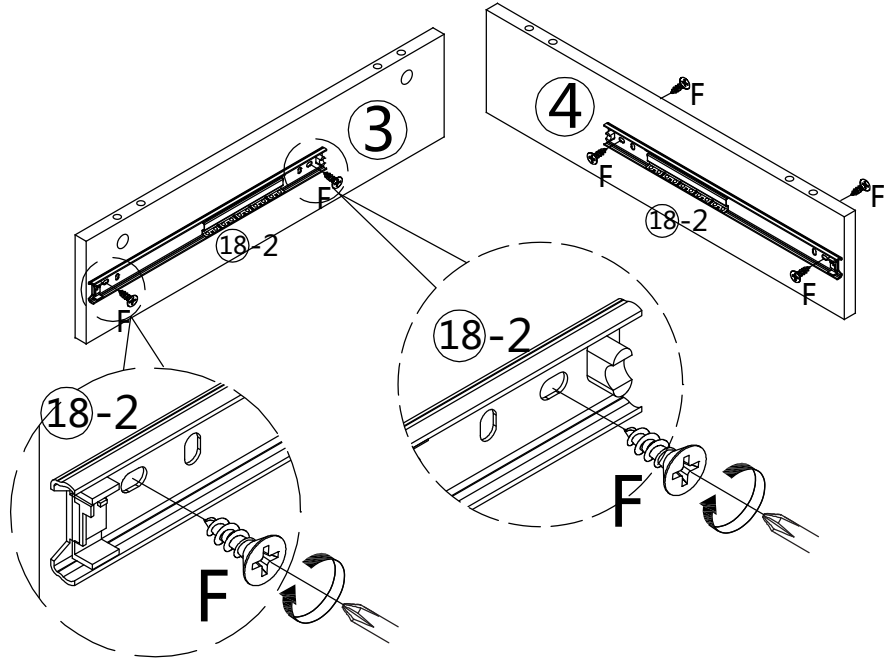
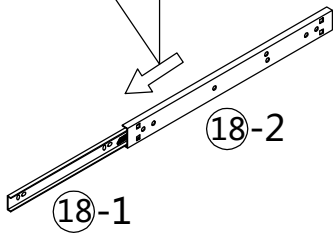
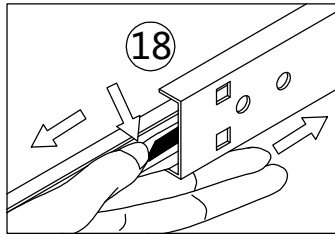
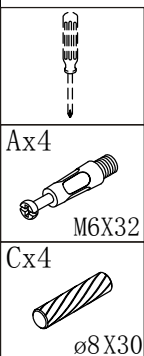
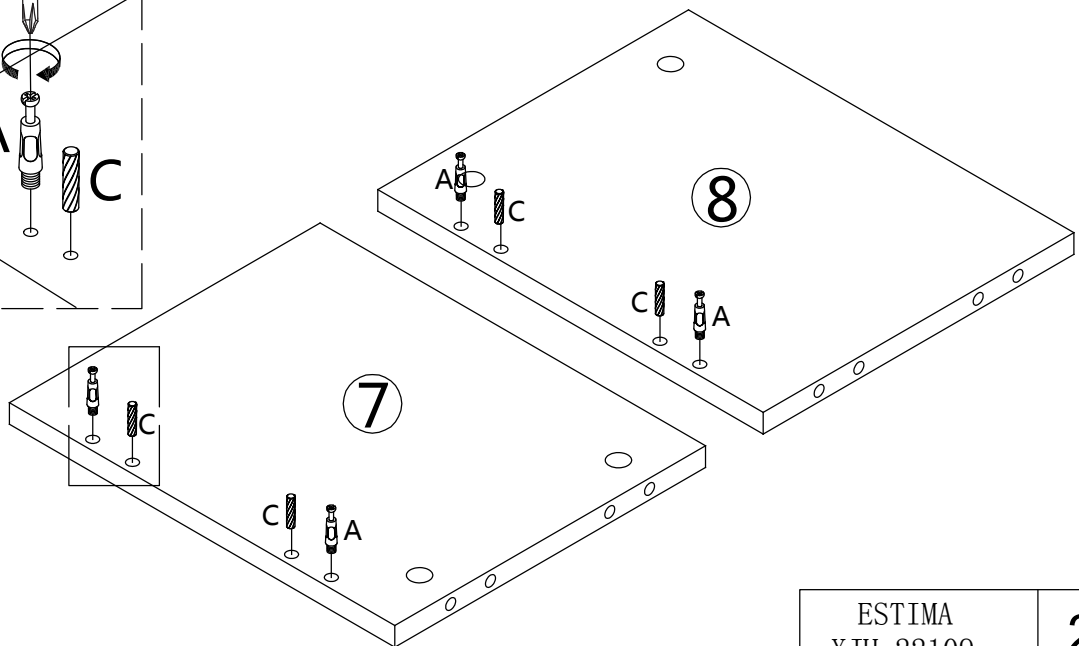
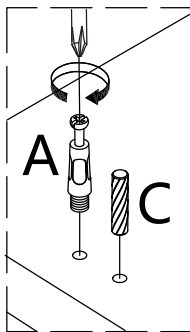
 <p>ESTIMA XJH-22109</p>	Ax24  M6X32	Bx24 	Cx30  ø8X30	Dx18  M7x48
	Ex16  M6x12	Fx16  M3.5X12	Gx8  M4X35	Hx18 
	Ix1  M4			
 				
① x1 	② x1 	③ x1 	④ x1 	
⑤ x1 	⑥ x1 	⑦ x1 	⑧ x1 	
⑨ x1 	⑩ x1 	⑪ x1 	⑫ x2 	
⑬ x2 	⑭ x2 	⑮ x2 	⑯ x2 	
⑰ x2 	⑱ x2  ⑱-1 ⑱-2			
			ESTIMA XJH-22109	
			1/9	

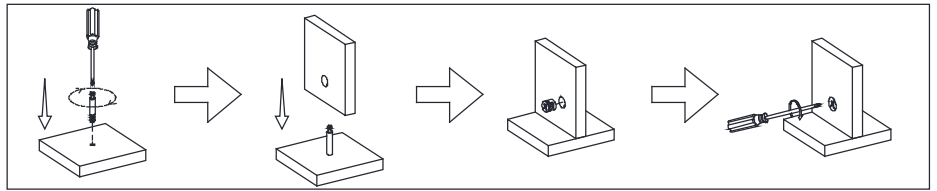


1

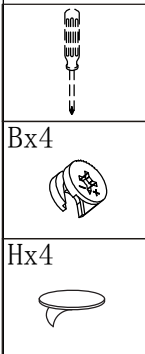
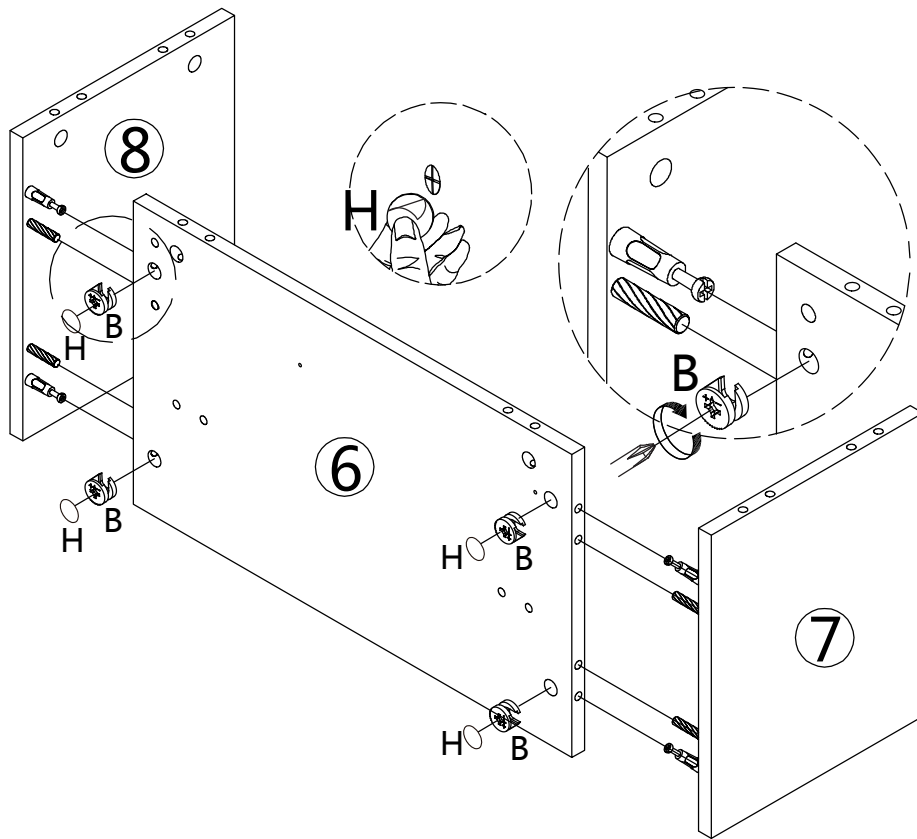


2

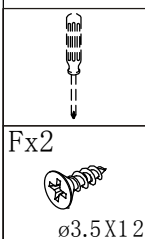
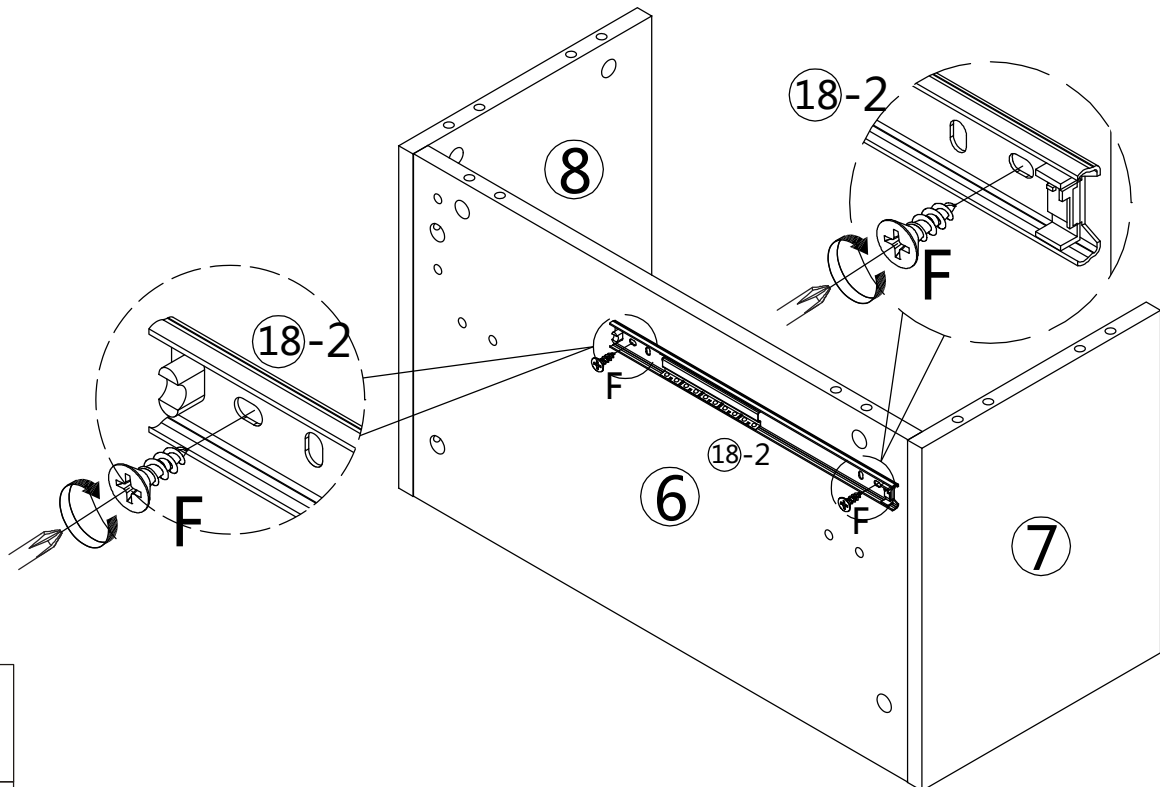


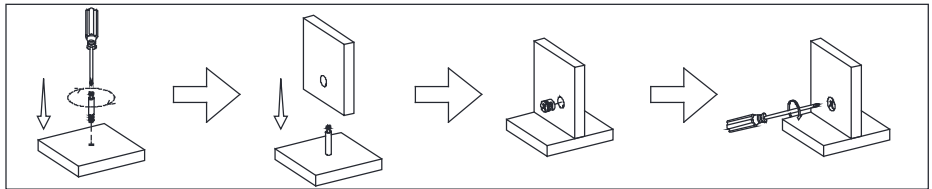


3

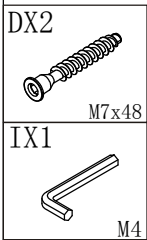
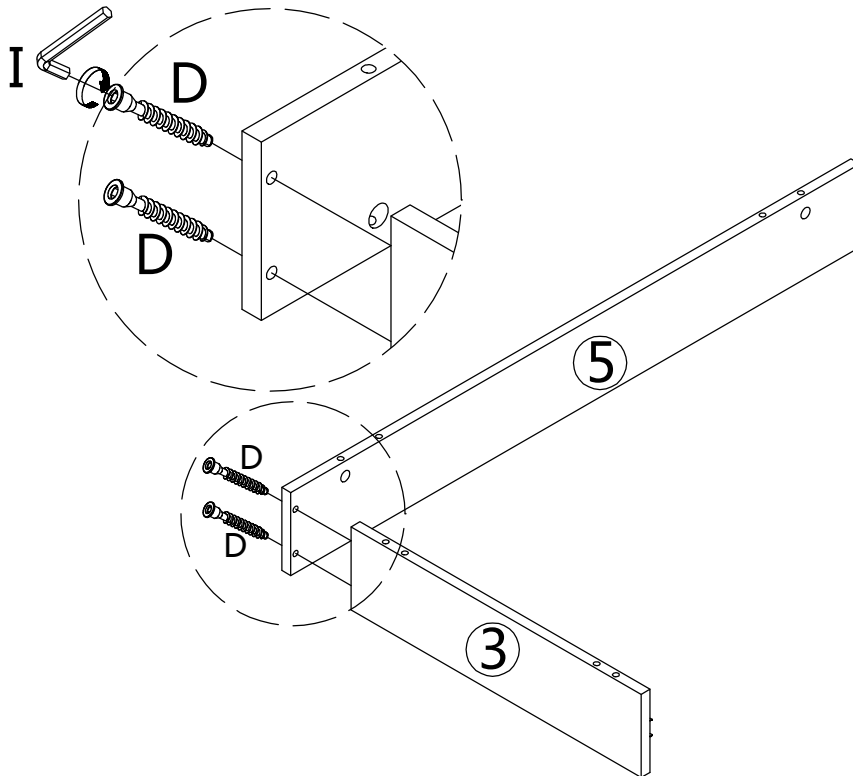


4

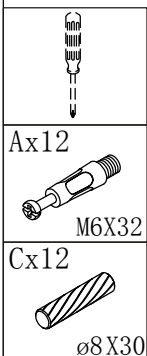
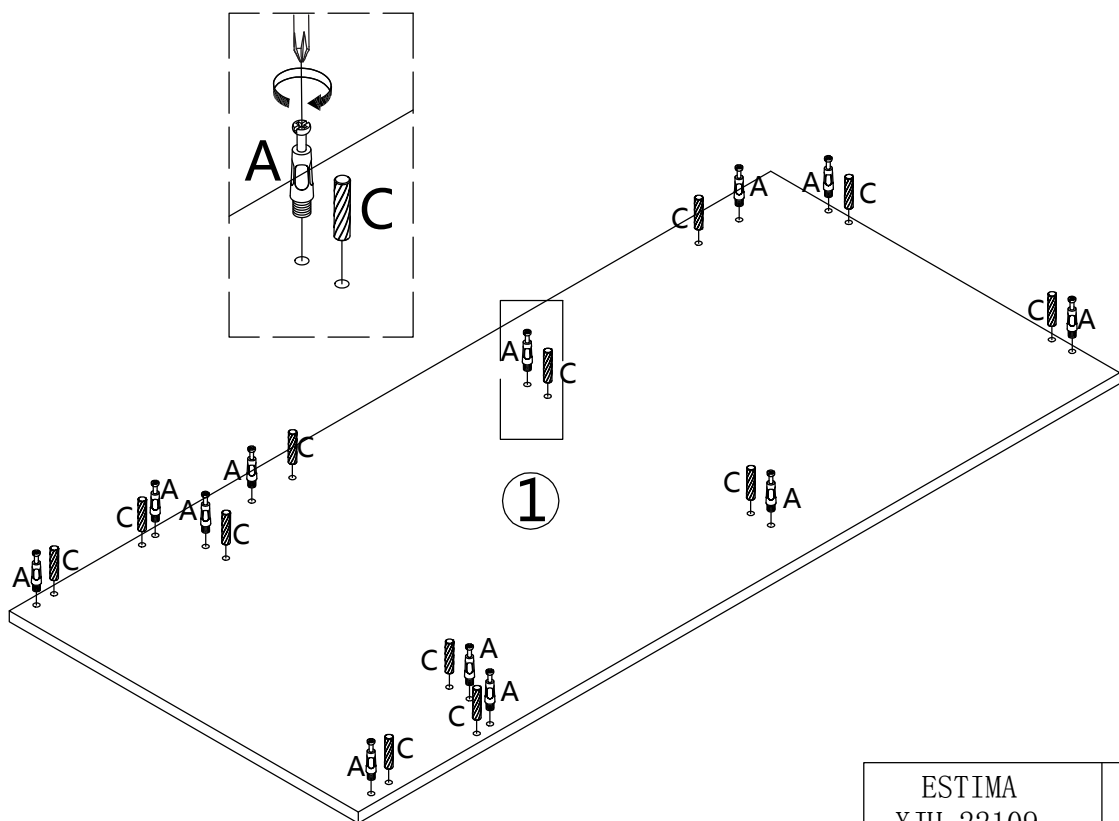


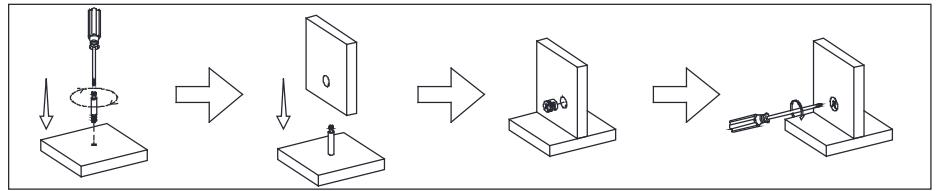


5

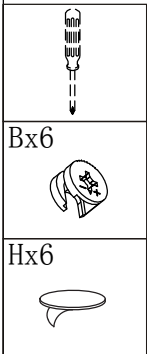
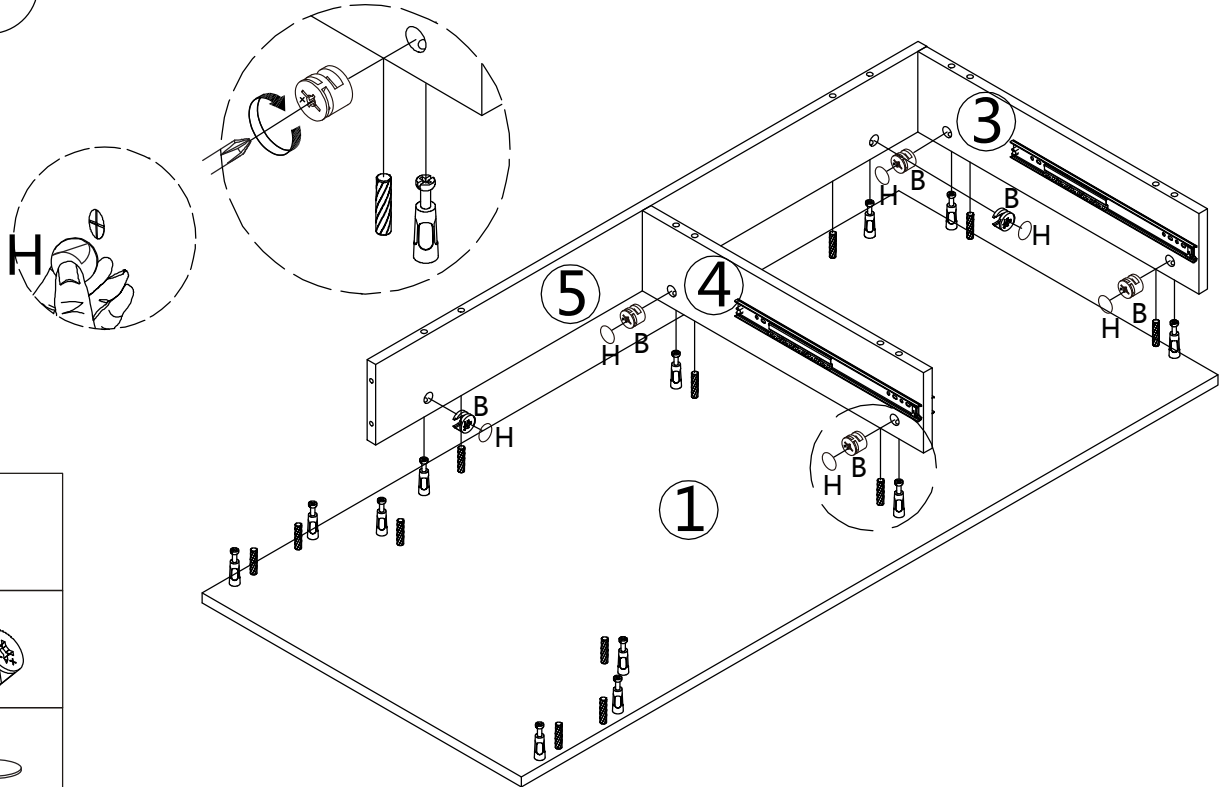


6

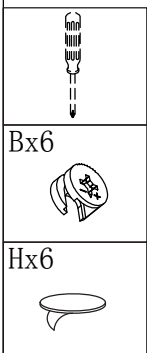
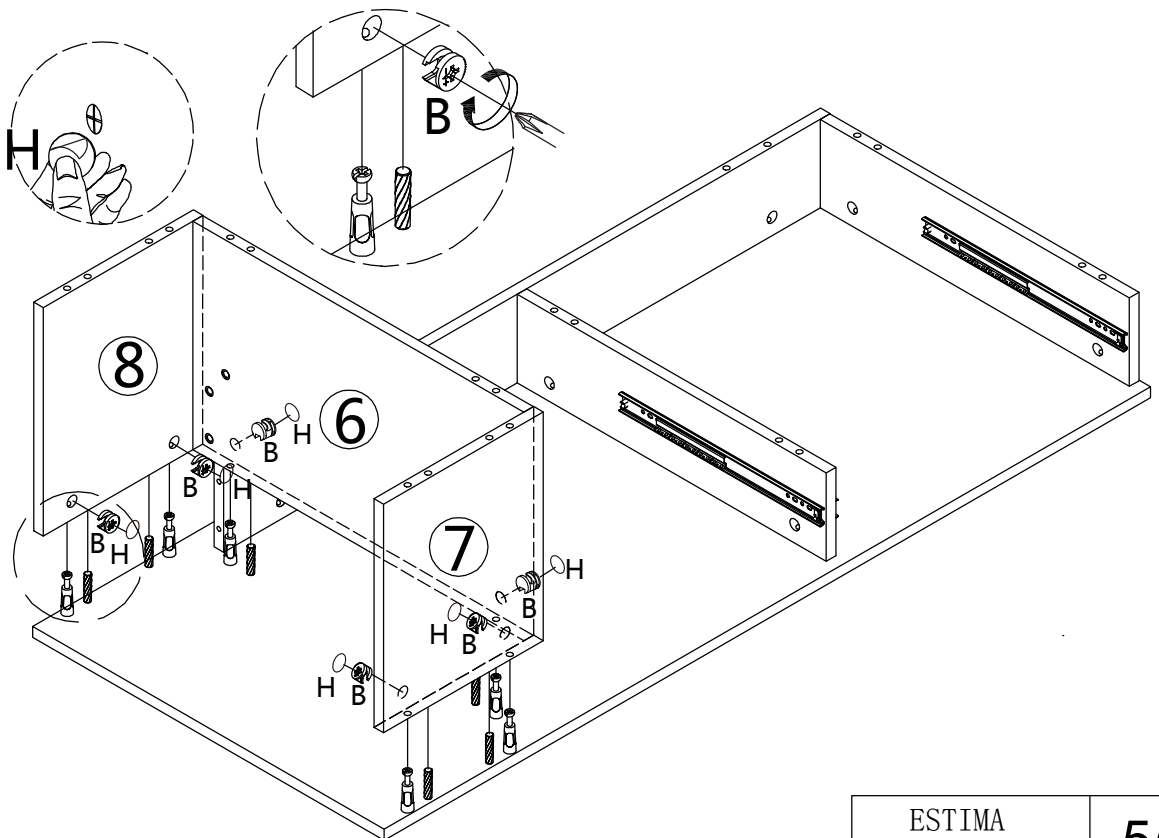




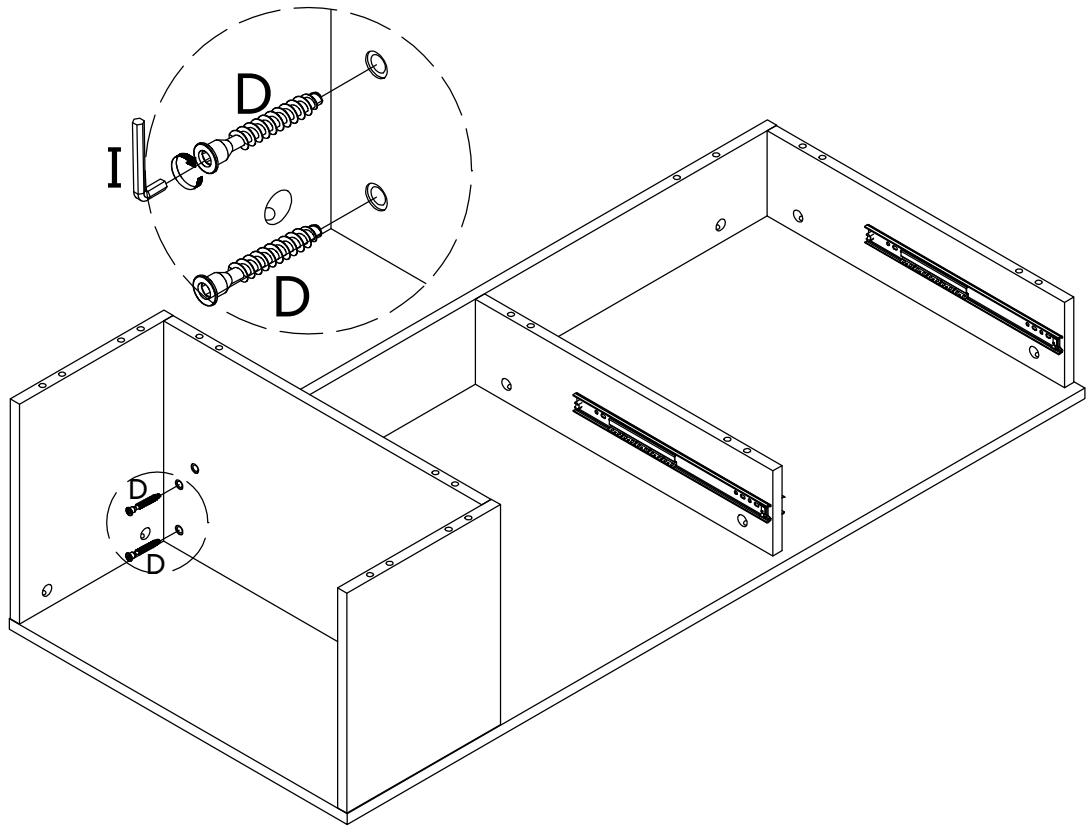
7

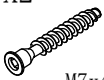
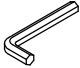


8

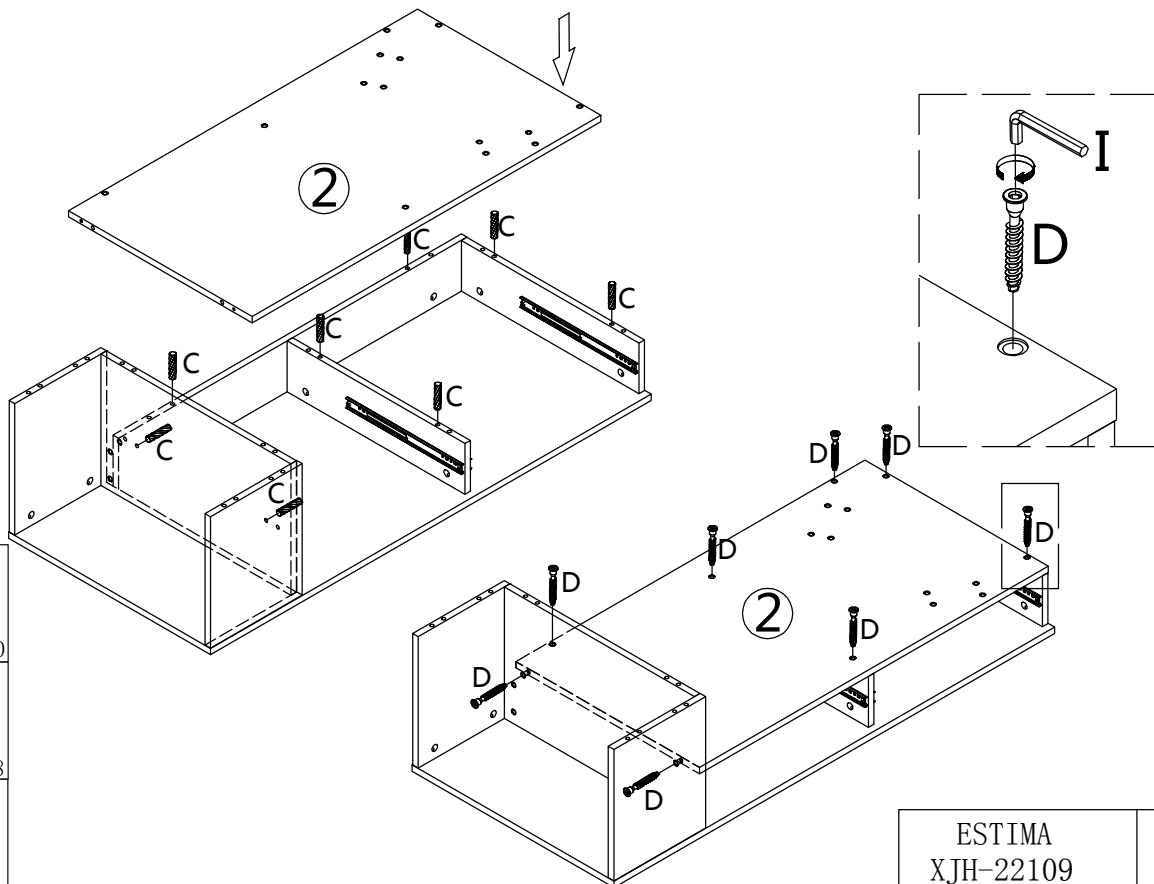



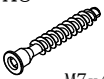
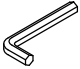
9



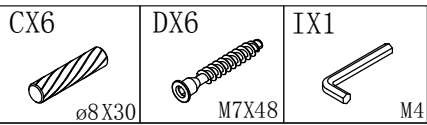
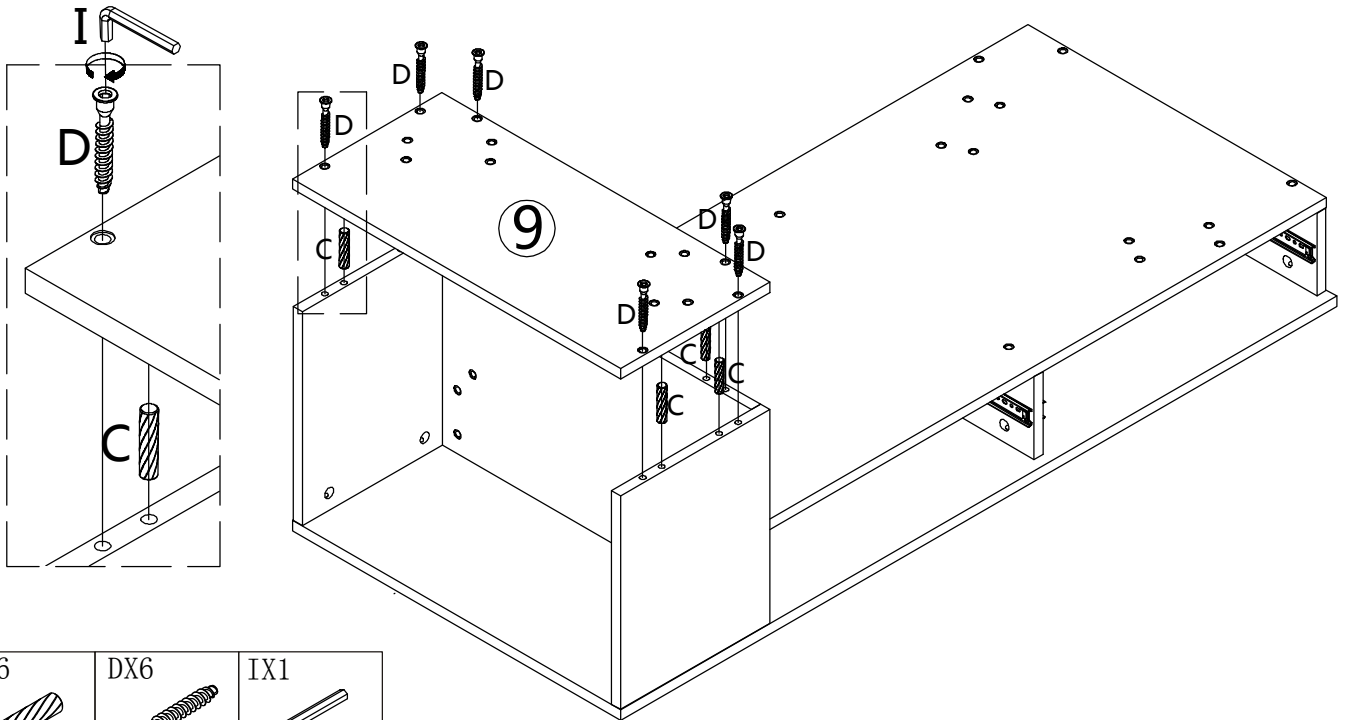
- DX2

 M7x48
- I x 1

 M4

10

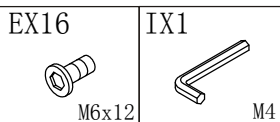
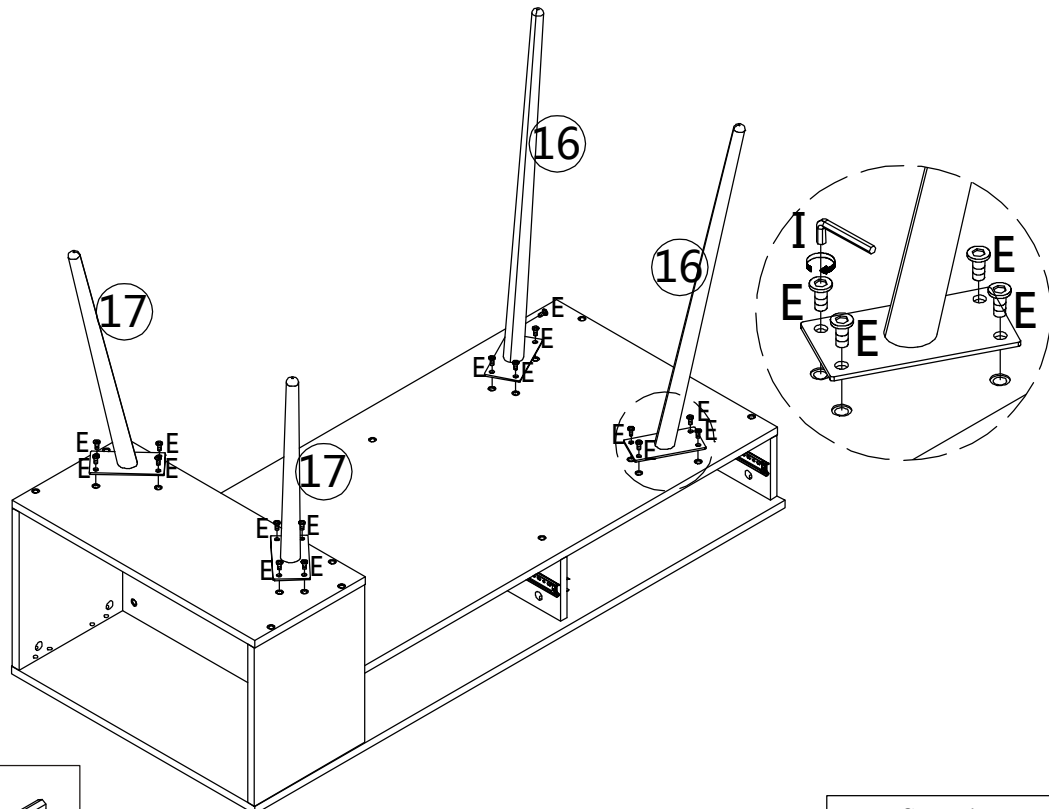


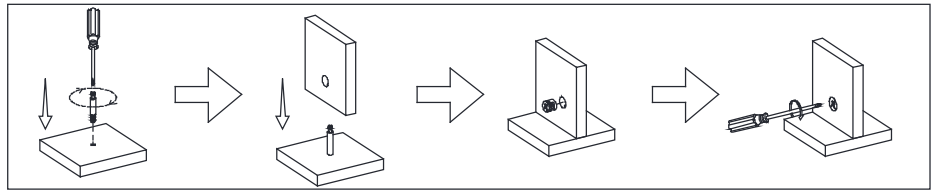
- CX8

 ø8X30
- DX8

 M7x48
- I x 1

 M4

11

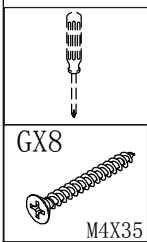
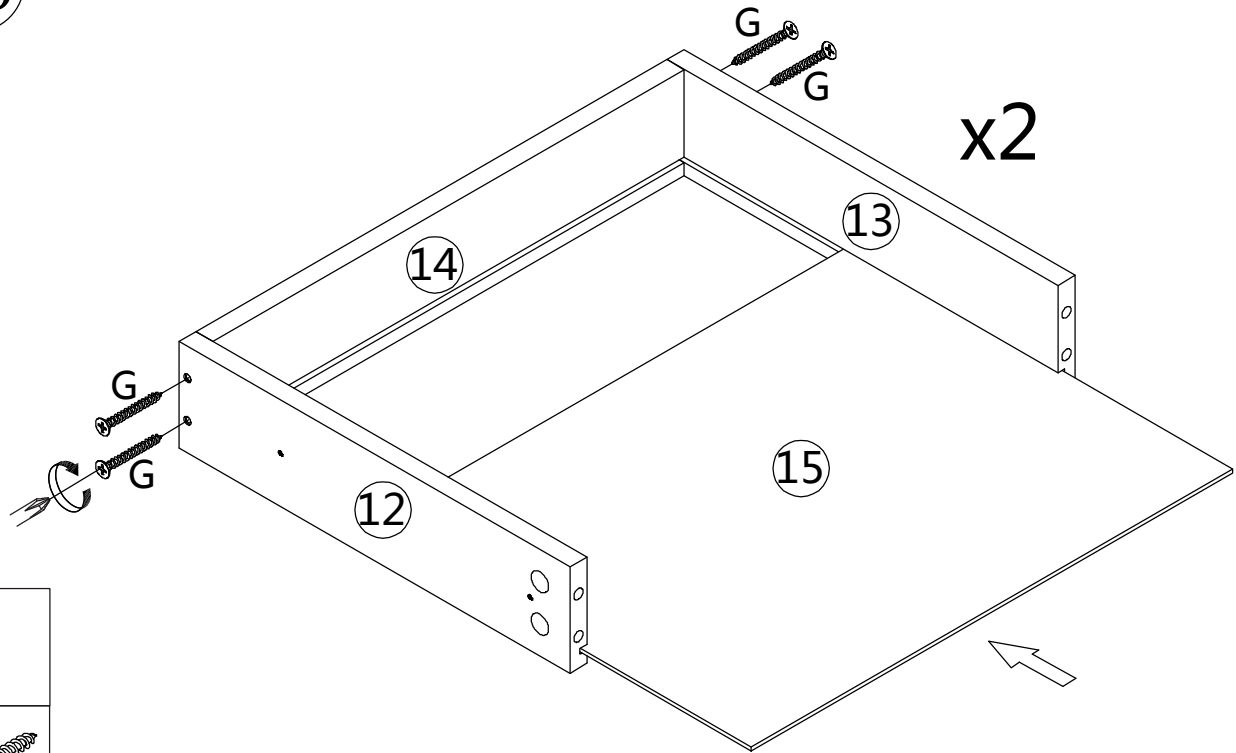


12

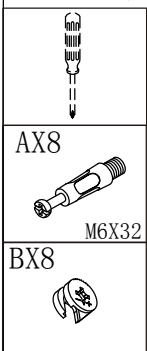
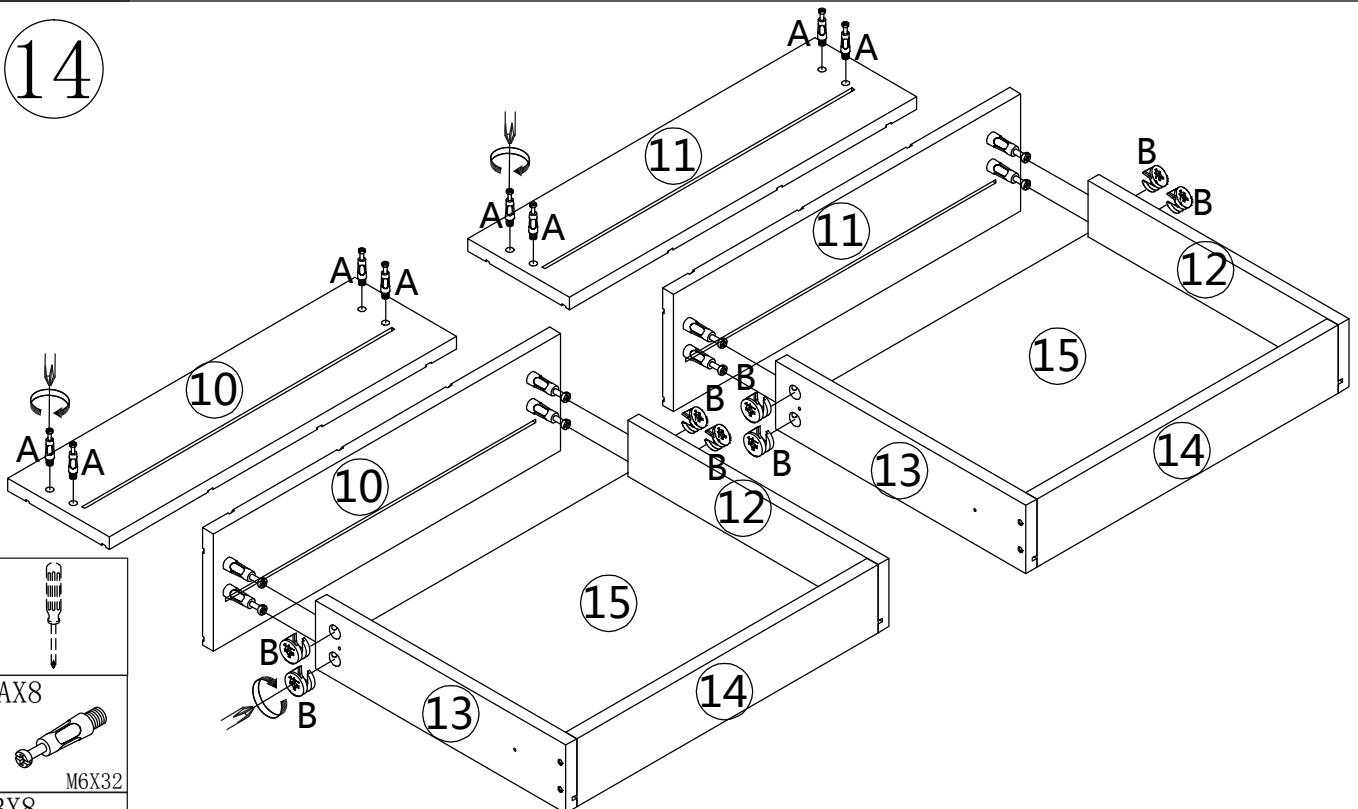




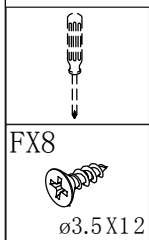
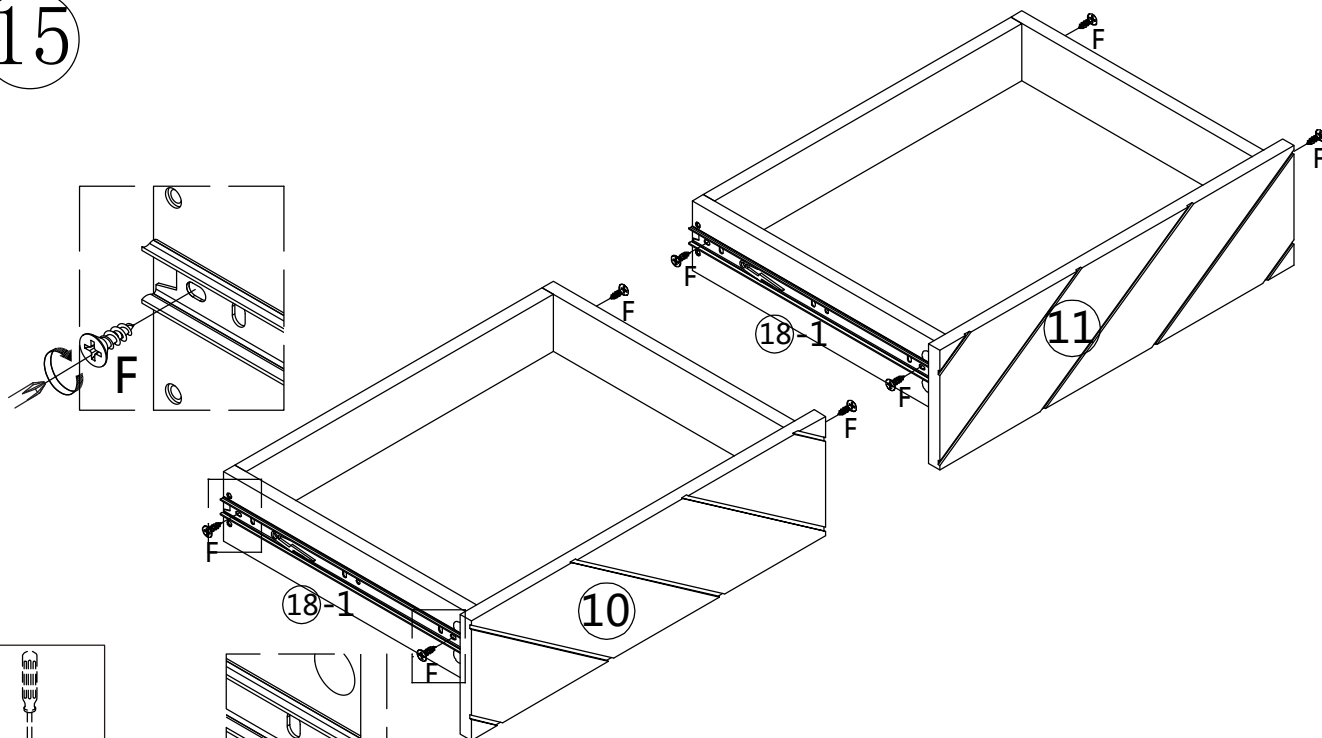
13



14



15



16

