




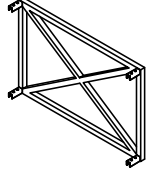
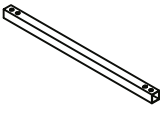

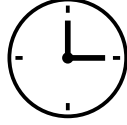
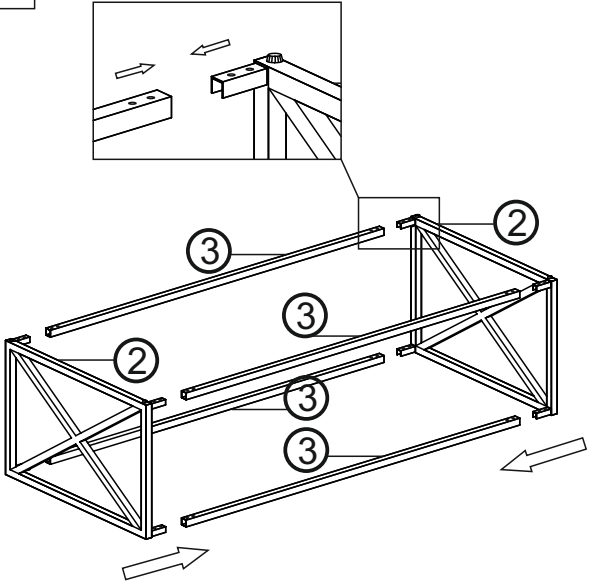
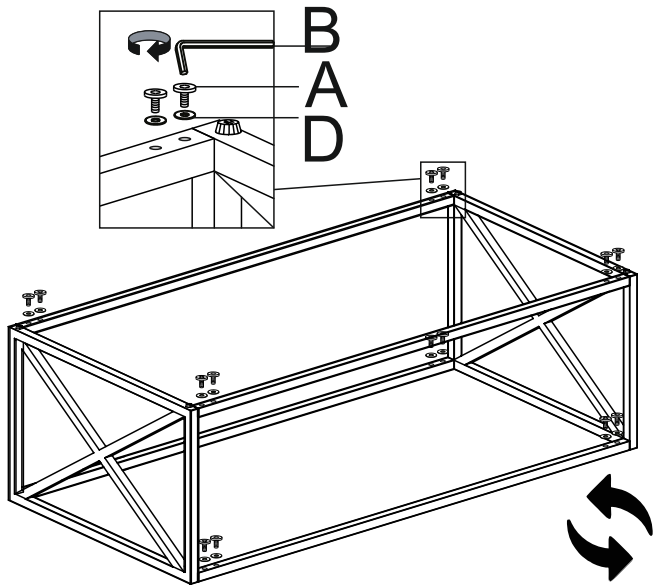
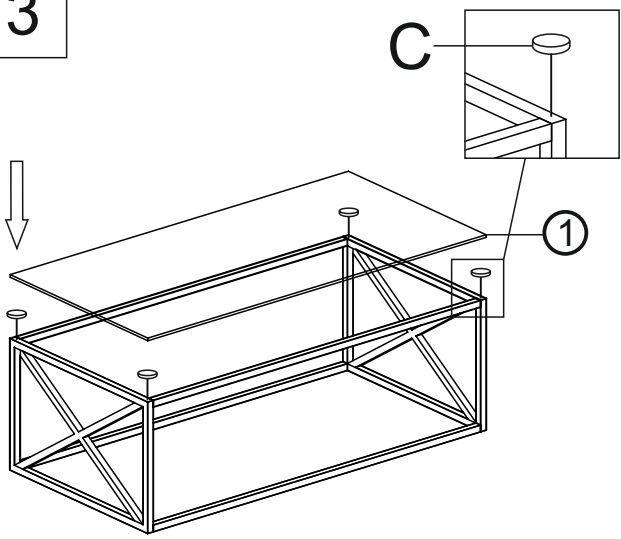
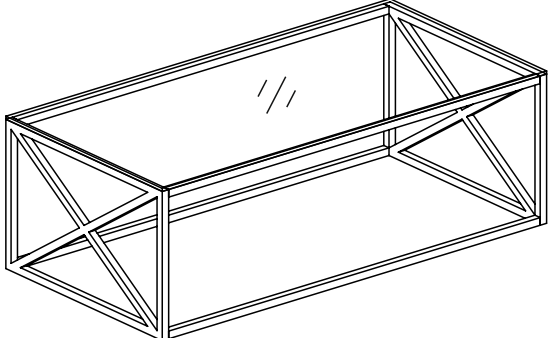
	<b>A (m6x10)</b>  X16	<b>B (m5)</b>  X1	<b>C (12x2mm)</b>  X4	<b>D (m8x16)</b>  X16
	<b>①</b>  X1	<b>②</b>  X2		
<b>(ENAMON)</b> <b>ECT-023</b>	<b>③</b>  X4			
 X2	 15MIN			

<b>1</b>		<b>2</b>	
----------	--	----------	---

<b>3</b>		<b>4</b>	
			<b>(ENAMON)</b> <b>ECT-023</b>
			<b>1/1</b>