




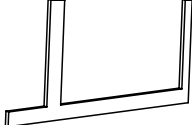
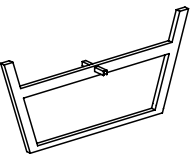

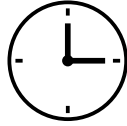
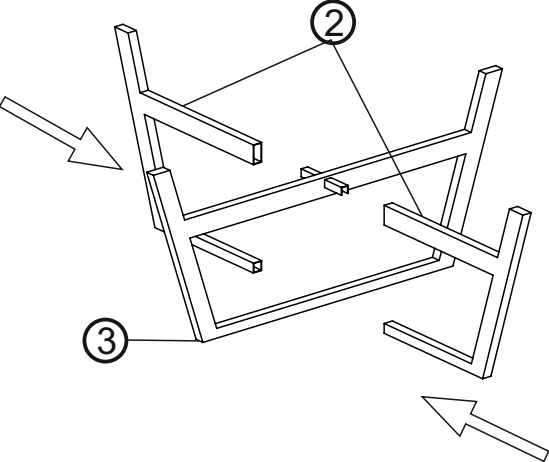
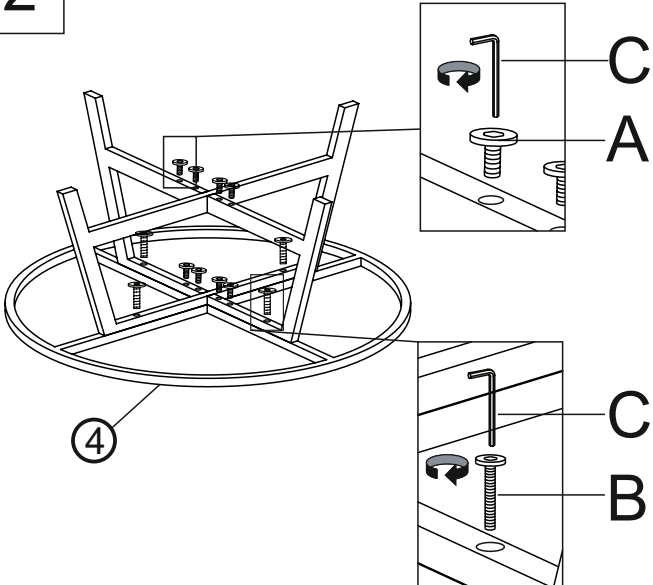
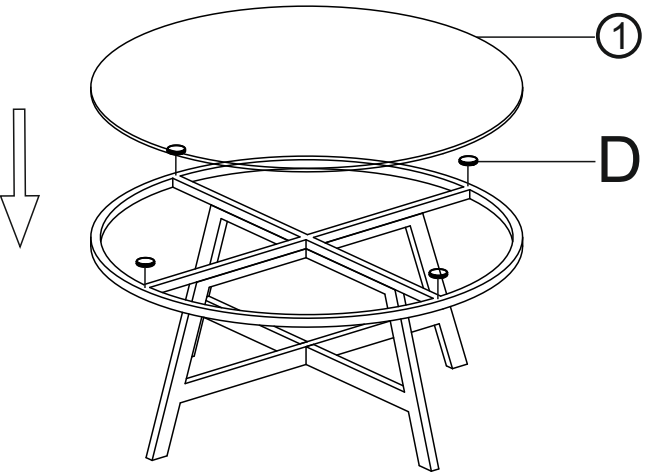
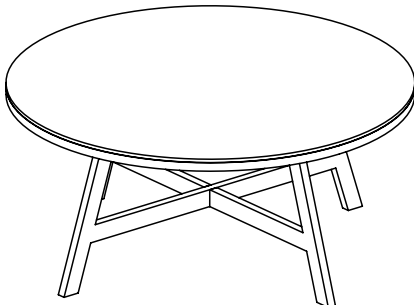
	A (m6x10)  X8	B (m6x45)  X4	C (m5)  X1	D (12x2mm)  X4
	①  X1	②  X2		③  X1
 X2		 15MIN		
(EKIPOSA) ECT-095-R-TG				

1		2	
----------	--	----------	---

3		4	
		(EKIPOSA) ECT-095-R-TG	
		1/1	