

(ECCONOD)  
ECT-221-TG



X2



15MIN

A (m8)



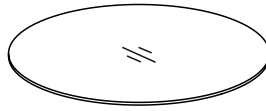
X4

B (12x2mm)



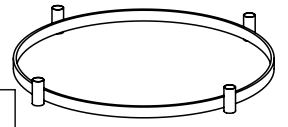
X8

①



X2

②



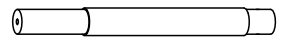
X1

③



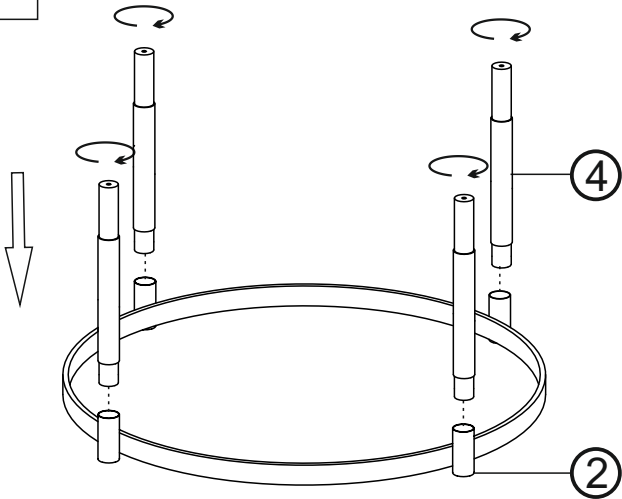
X1

④

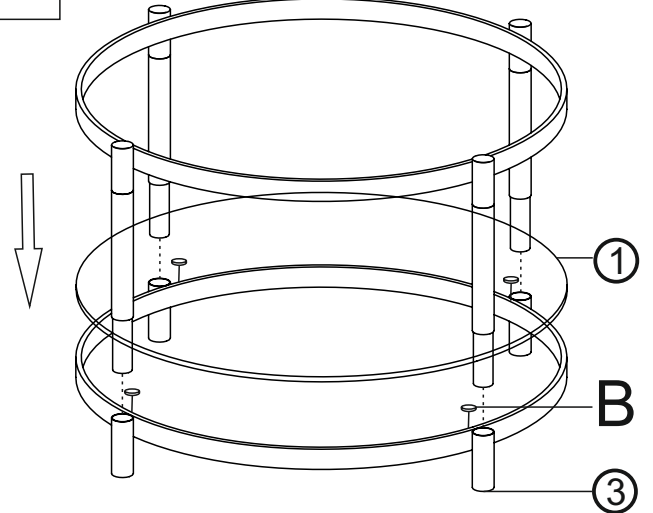


X4

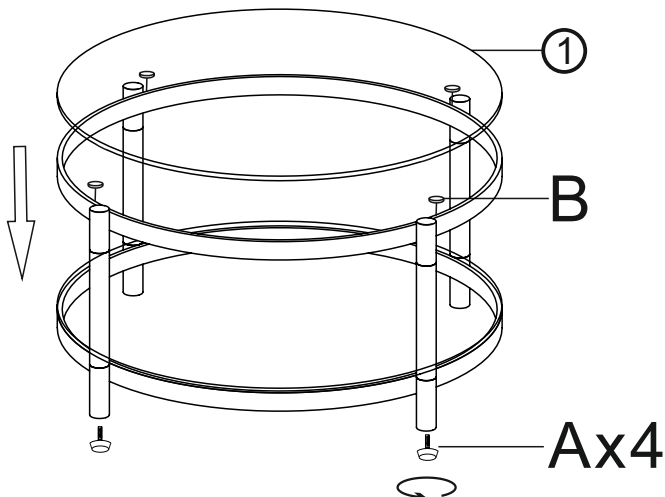
1



2



3



4

