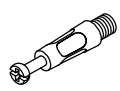

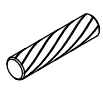
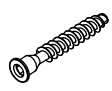

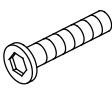
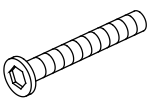
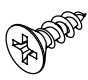
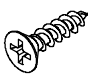
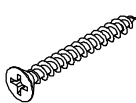

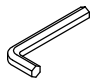
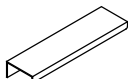
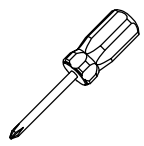
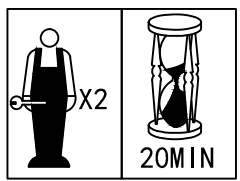
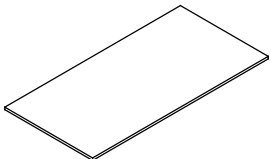
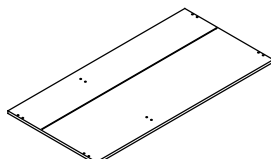
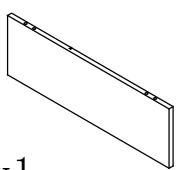
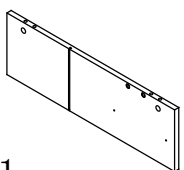
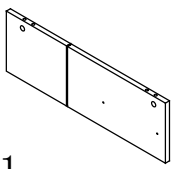
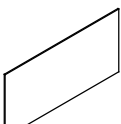
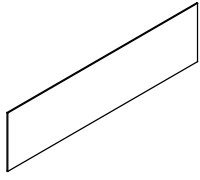
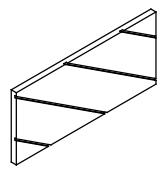
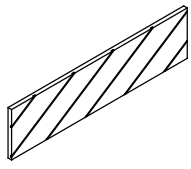
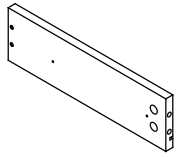
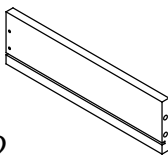
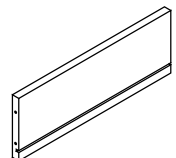
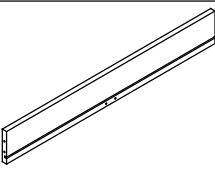
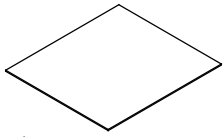
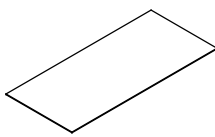
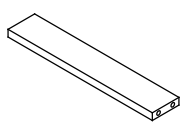
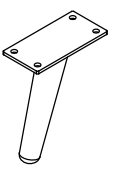
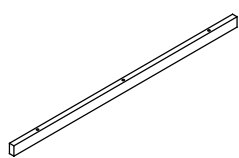
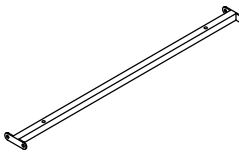
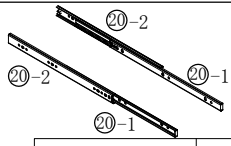
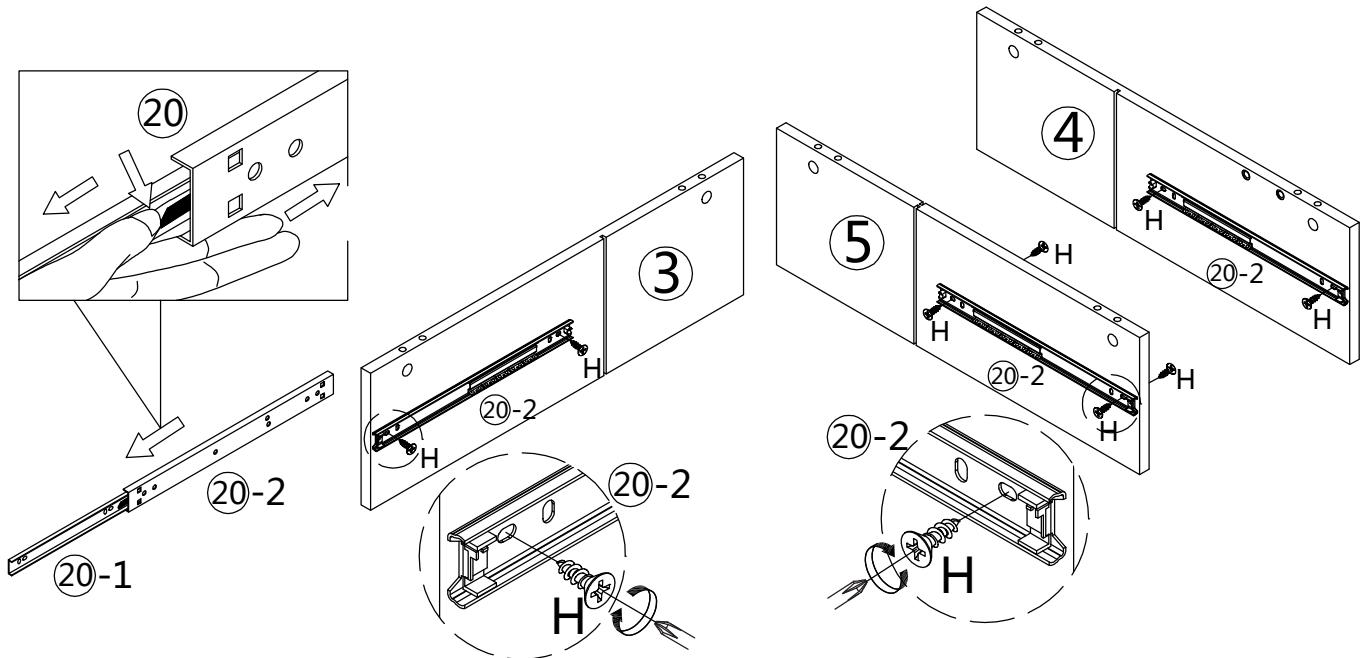
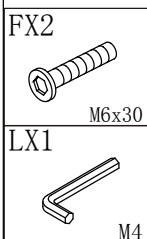
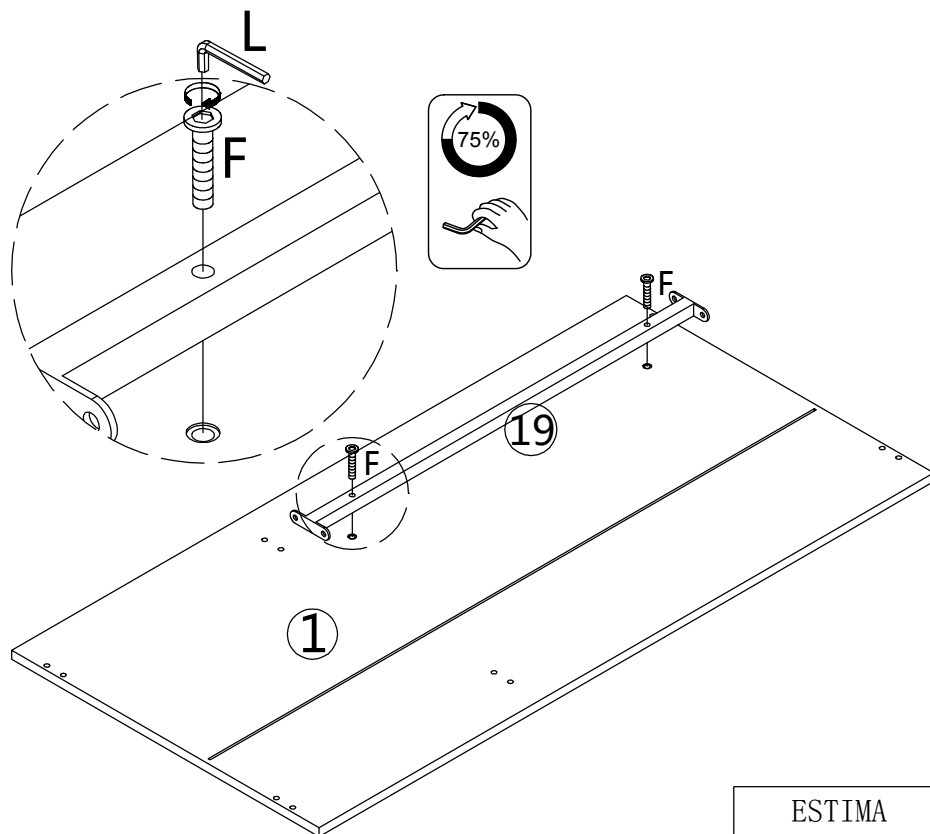
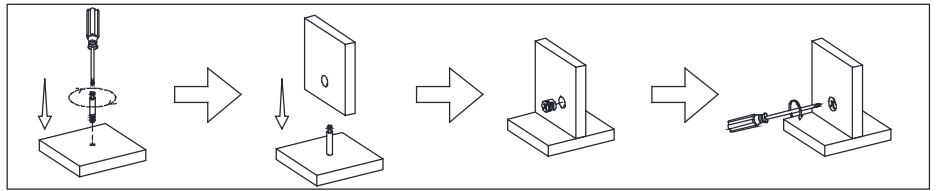
 <p style="text-align: center;">ESTIMA XJH-22107</p>	<p>Ax16  M6X32</p>	<p>Bx16 </p>	<p>Cx12  ø8 X30</p>	<p>Dx6  M7X48</p>
	<p>Ex20  M6x12</p>	<p>Fx2  M6x30</p>	<p>Gx3  M6x50</p>	<p>Hx16  M3.5X12</p>
	<p>Ix4  M3X14</p>	<p>Jx10  M4X35</p>	<p>Kx6 </p>	<p>Lx1  M4</p>
	<p>Mx2 </p>			
				
<p>① x1 </p>	<p>② x1 </p>	<p>③ x1 </p>	<p>④ x1 </p>	
<p>⑤ x1 </p>	<p>⑥ x1 </p>	<p>⑦ x1 </p>	<p>⑧ x1 </p>	
<p>⑨ x1 </p>	<p>⑩ x2 </p>	<p>⑪ x2 </p>	<p>⑫ x1 </p>	
<p>⑬ x1 </p>	<p>⑭ x1 </p>	<p>⑮ x1 </p>	<p>⑯ x1 </p>	
<p>⑰ x4 </p>	<p>⑱ x1 </p>	<p>⑲ x1 </p>	<p>⑳ x2   </p>	
			<p>ESTIMA XJH-22107</p>	
			<p>1/8</p>	

1

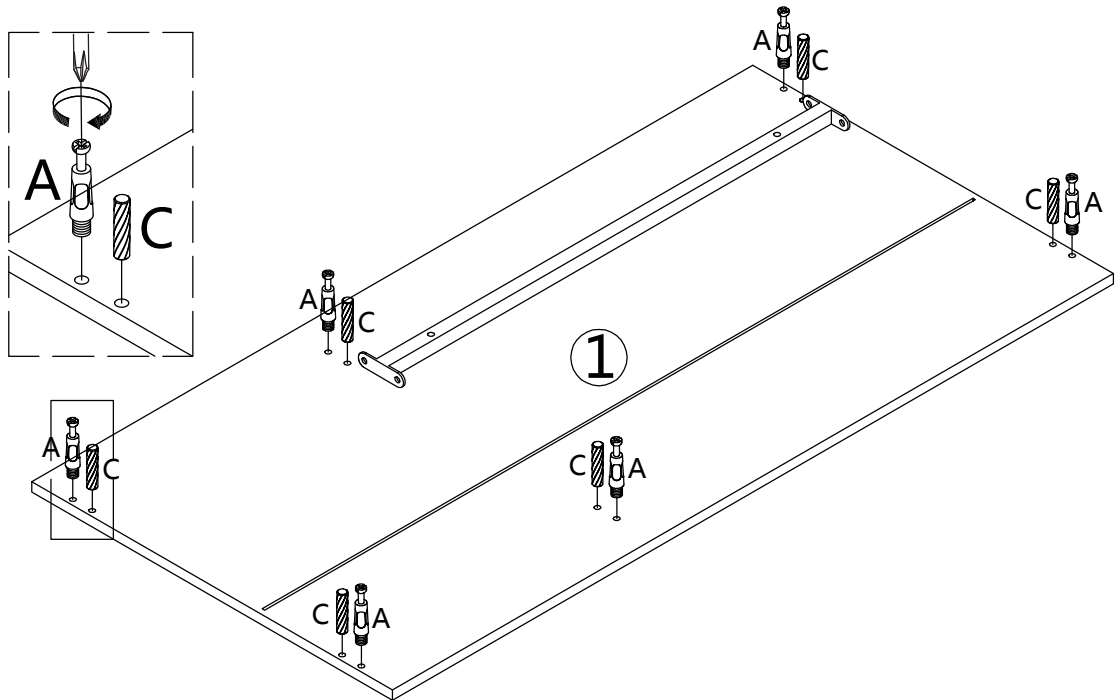




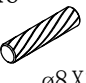
2



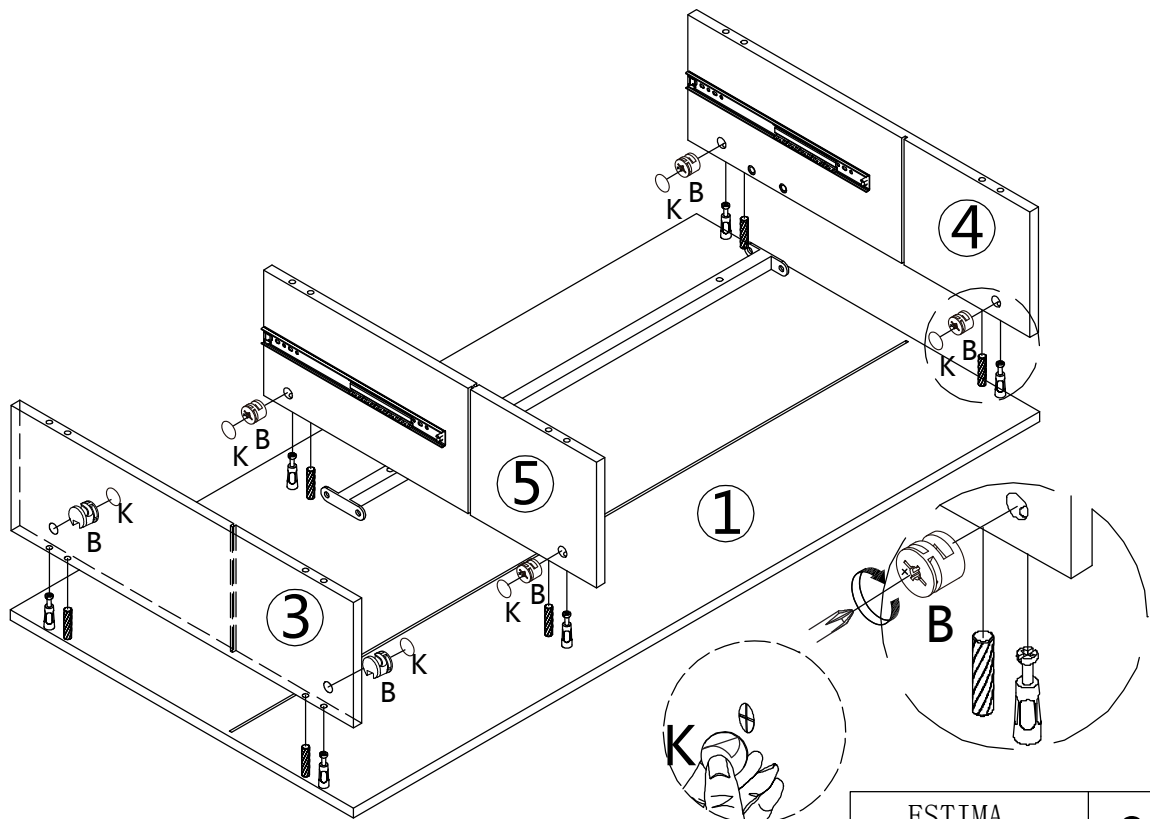





3



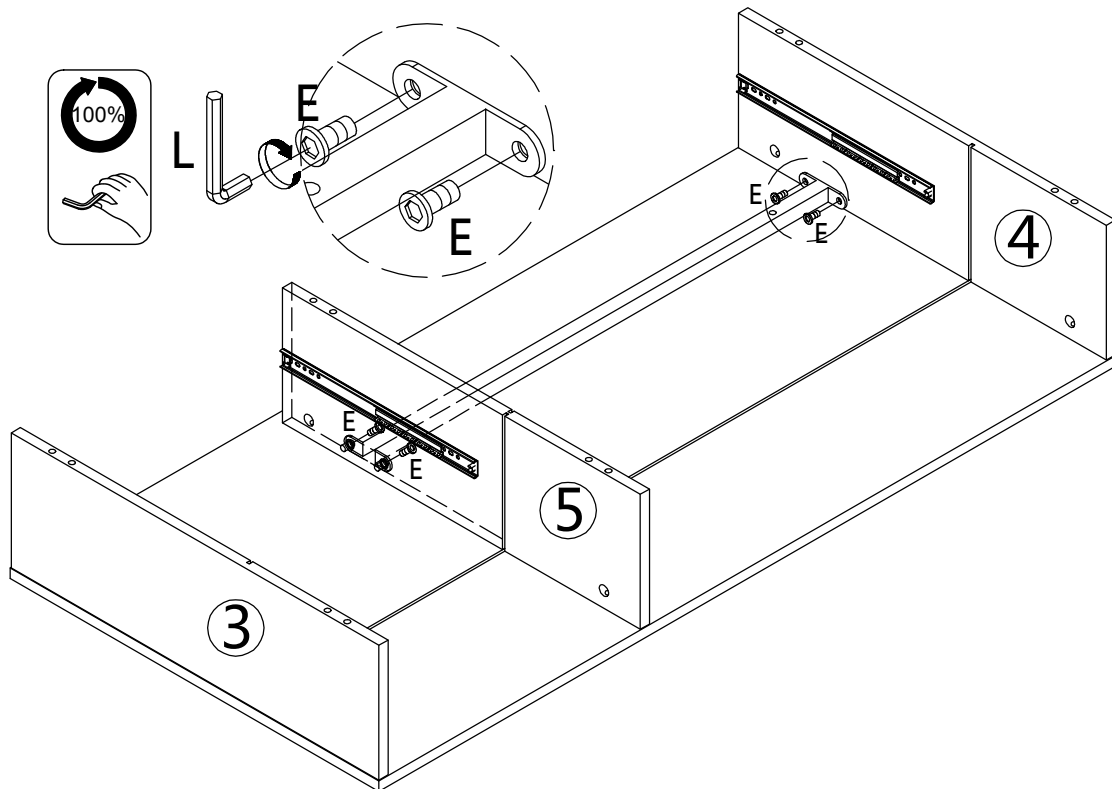
- 
- Ax6
-  M6X32
- Cx6
-   $\varnothing 8 \times 30$


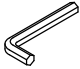
4



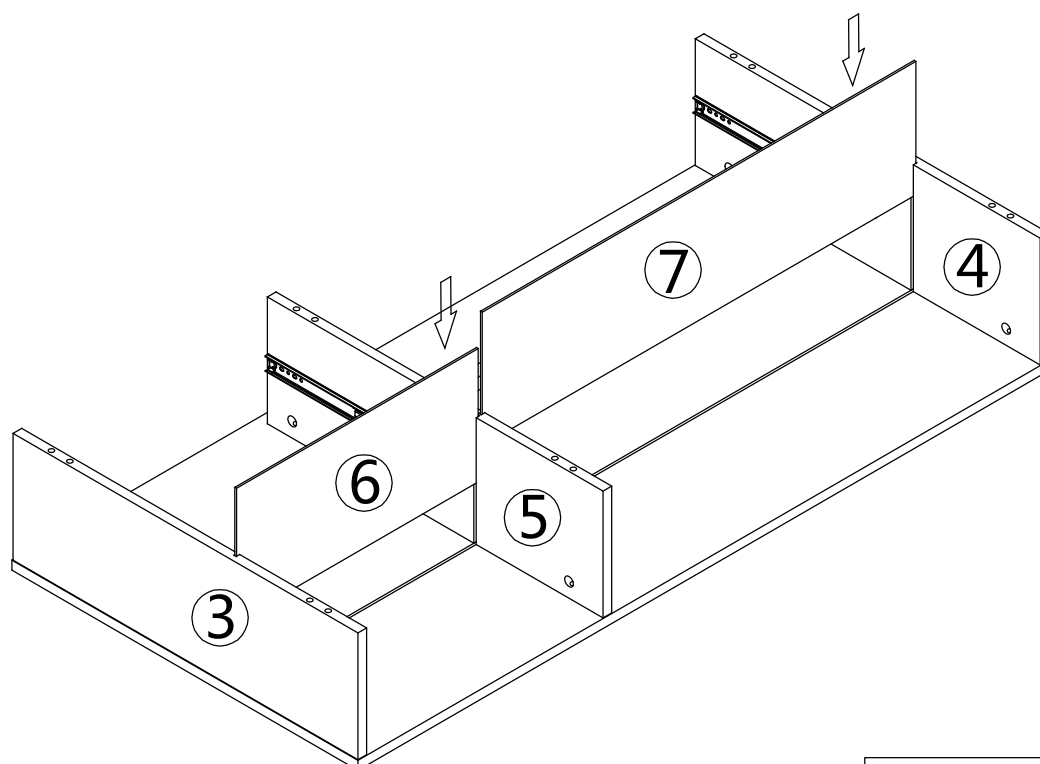
- 
- Bx6
- 
- Kx6
- 

5

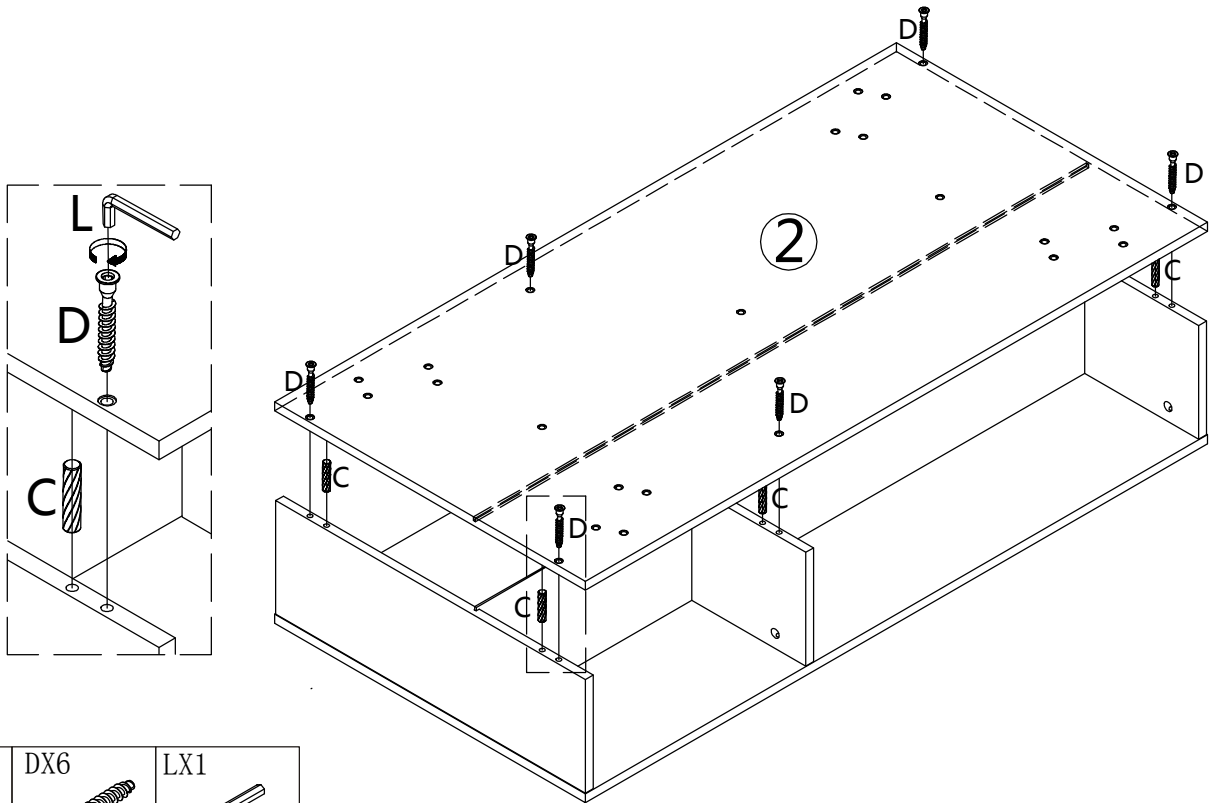




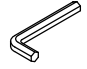
- Ex4  
  
M6x12
- Lx1  
  
M4

6

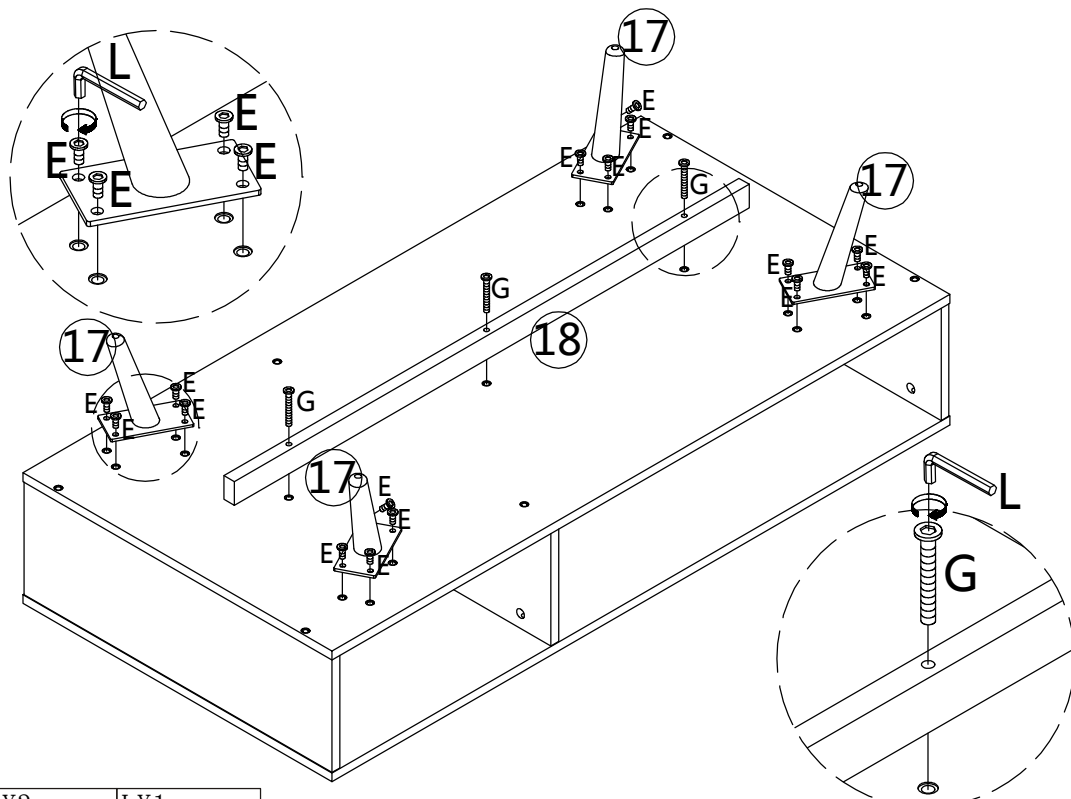



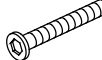
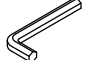
7



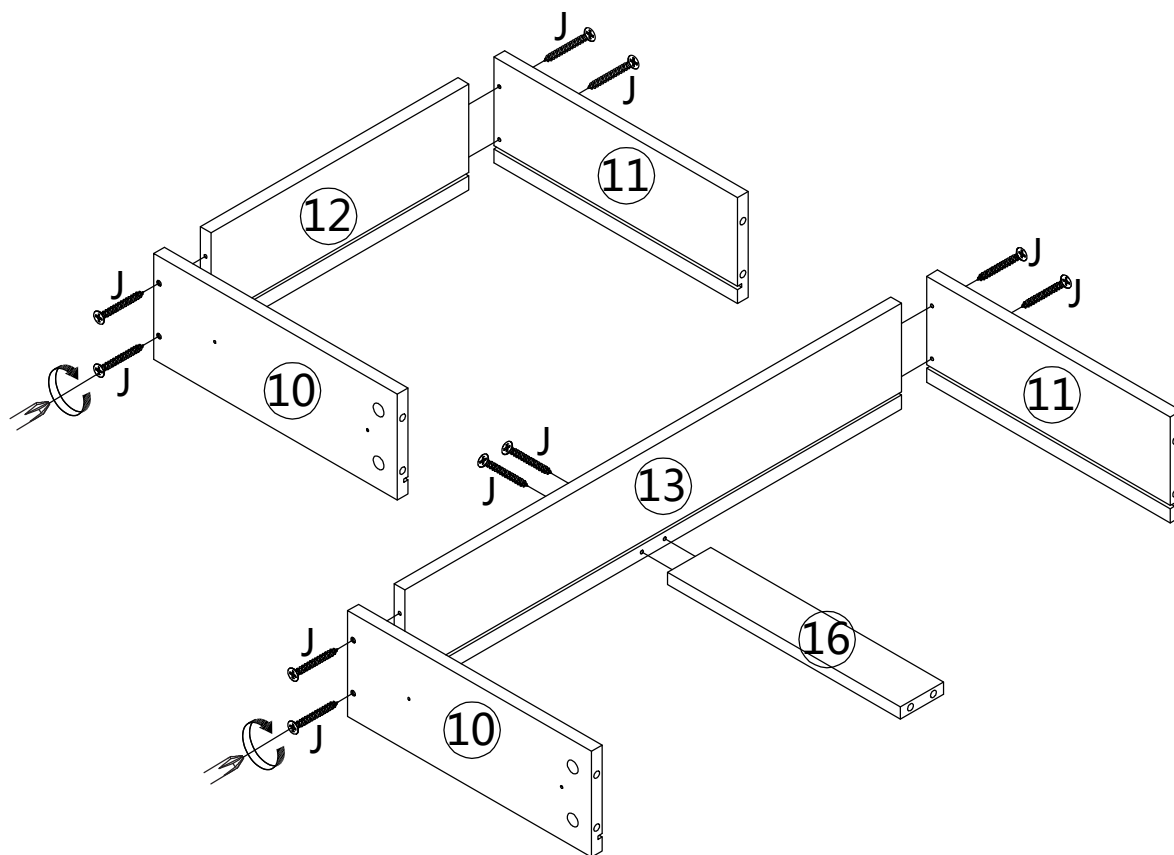
CX6  ø8X30	DX6  M7X48	LX1  M4
---	---	--

8

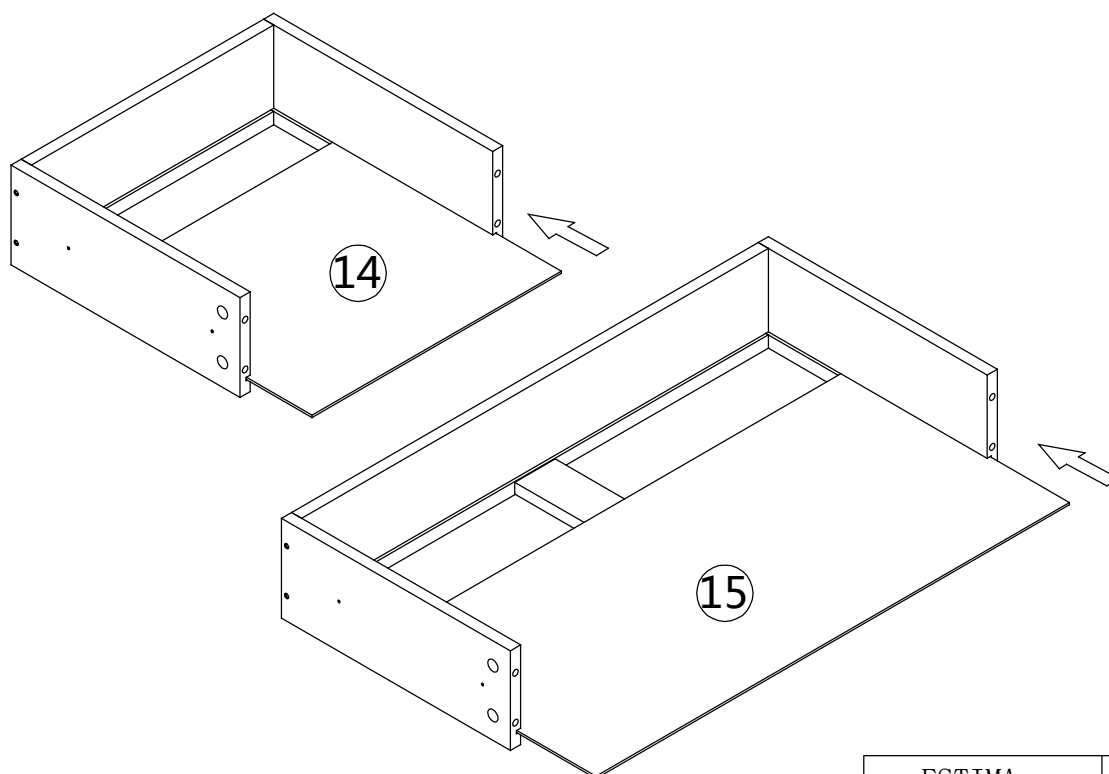


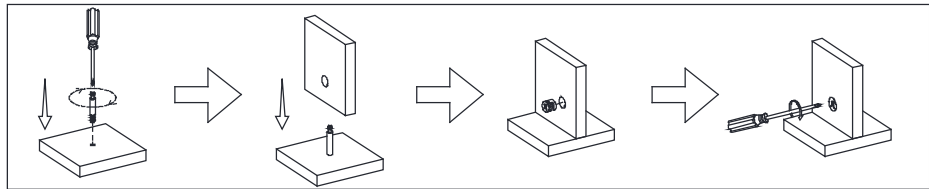
EX16  M6x12	GX3  M6x50	LX1  M4
--	---	--

9

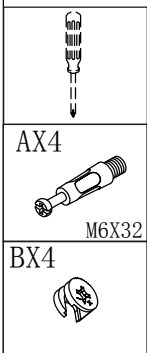
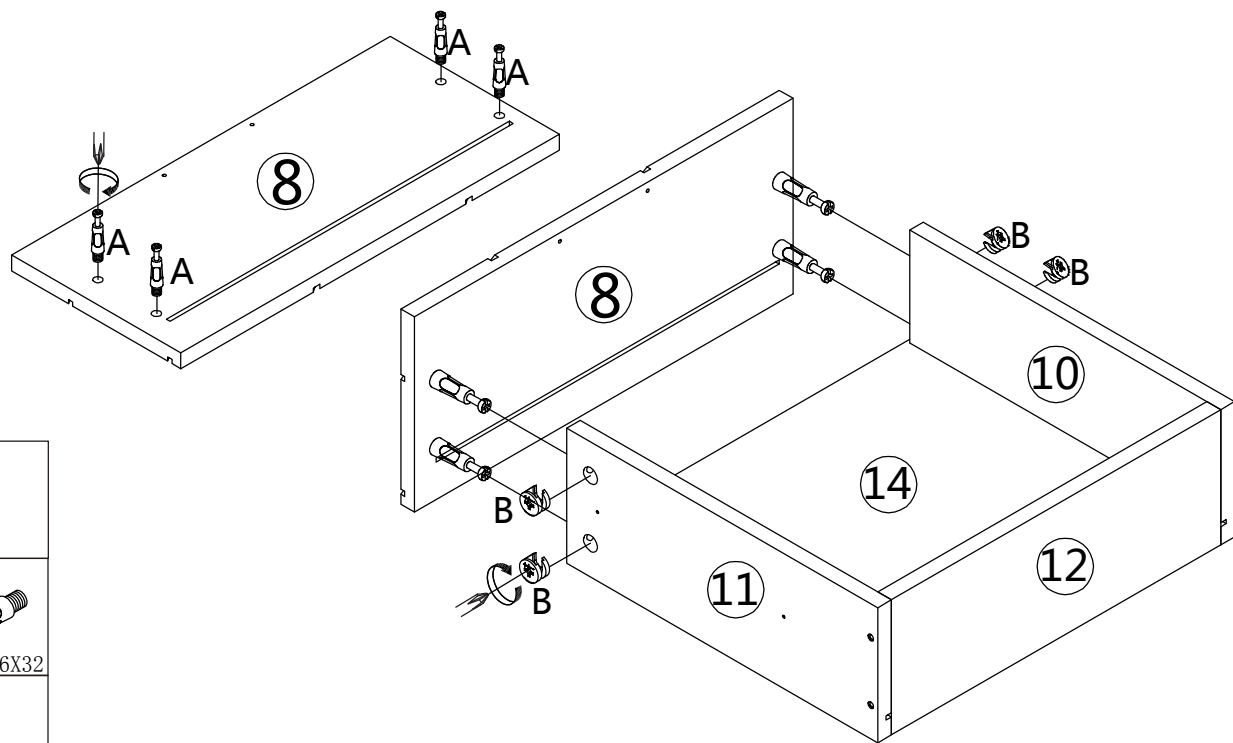


10

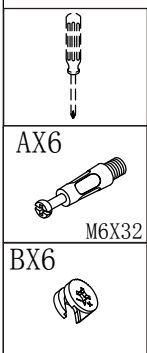
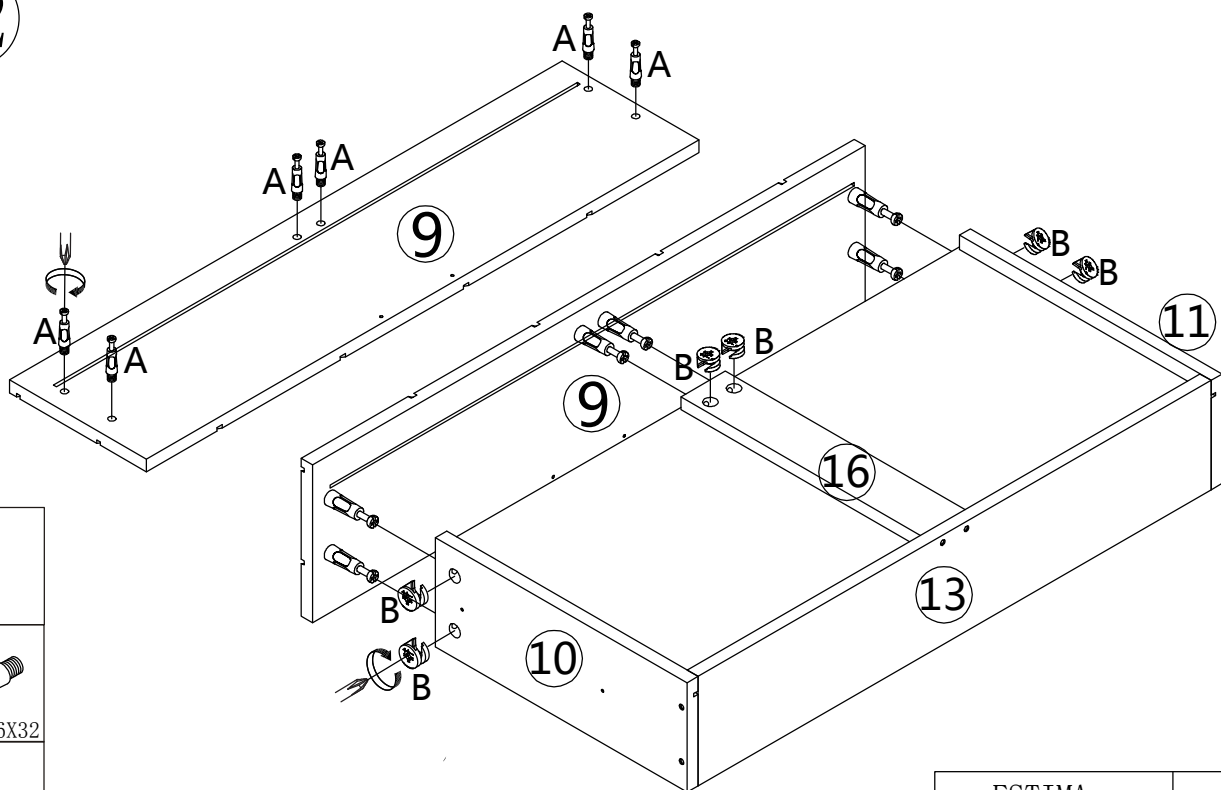




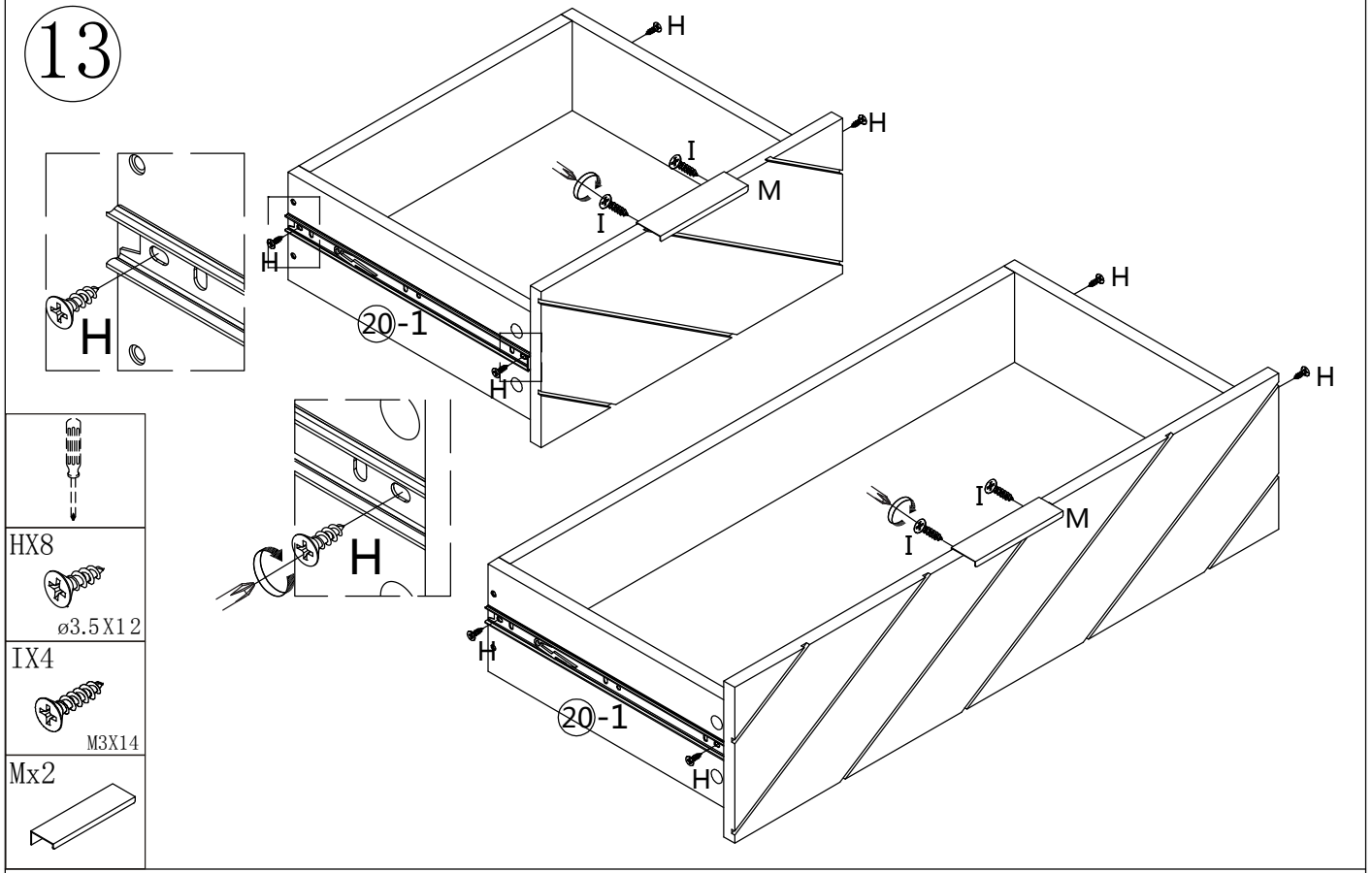
11



12



13



14

