

FUNOMI CT600-0310



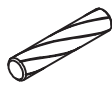











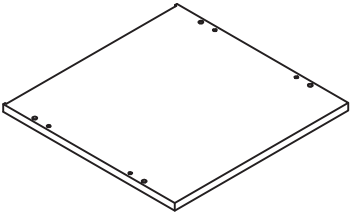
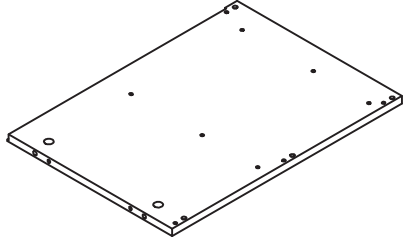
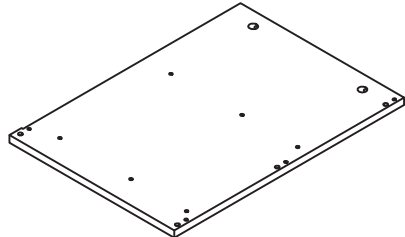
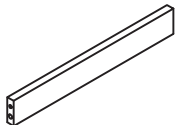
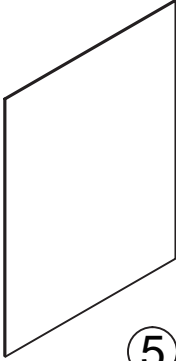
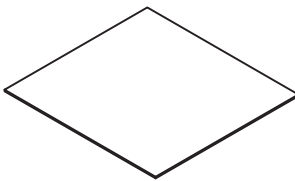
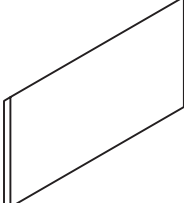
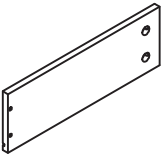
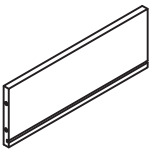
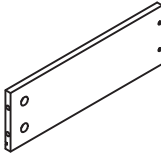
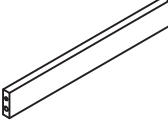
X 1

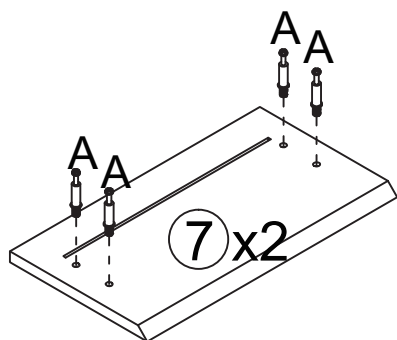
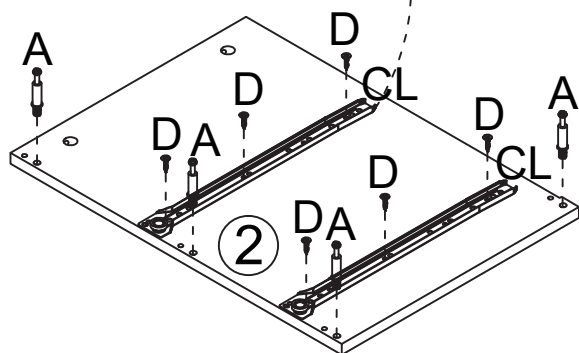
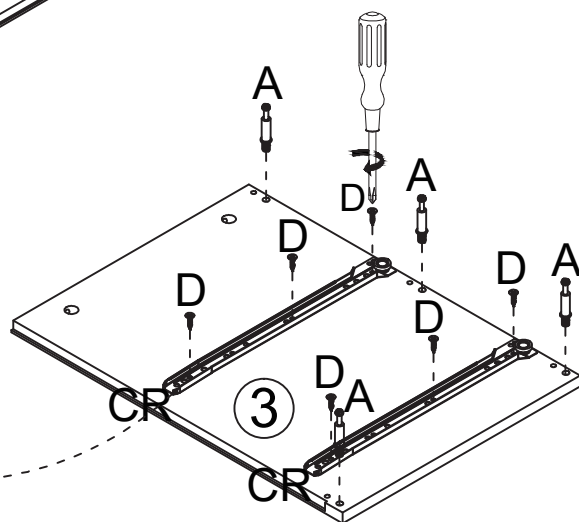
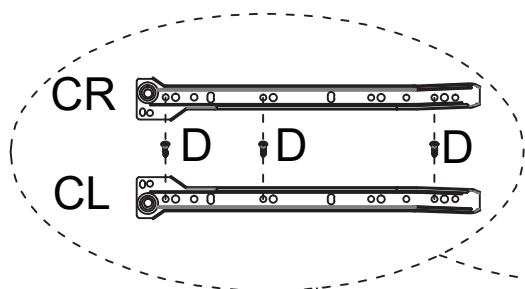
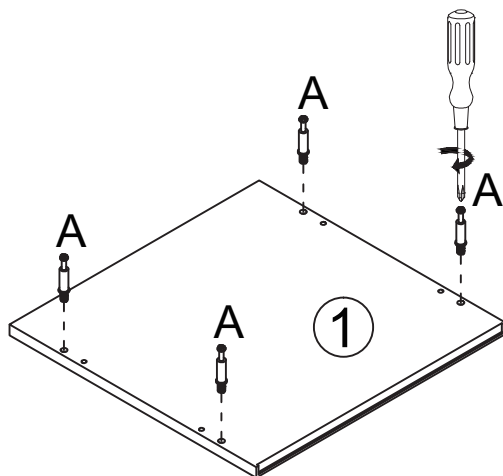



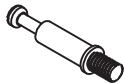



30min



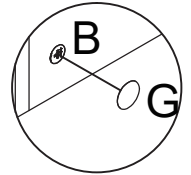
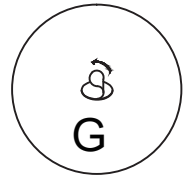
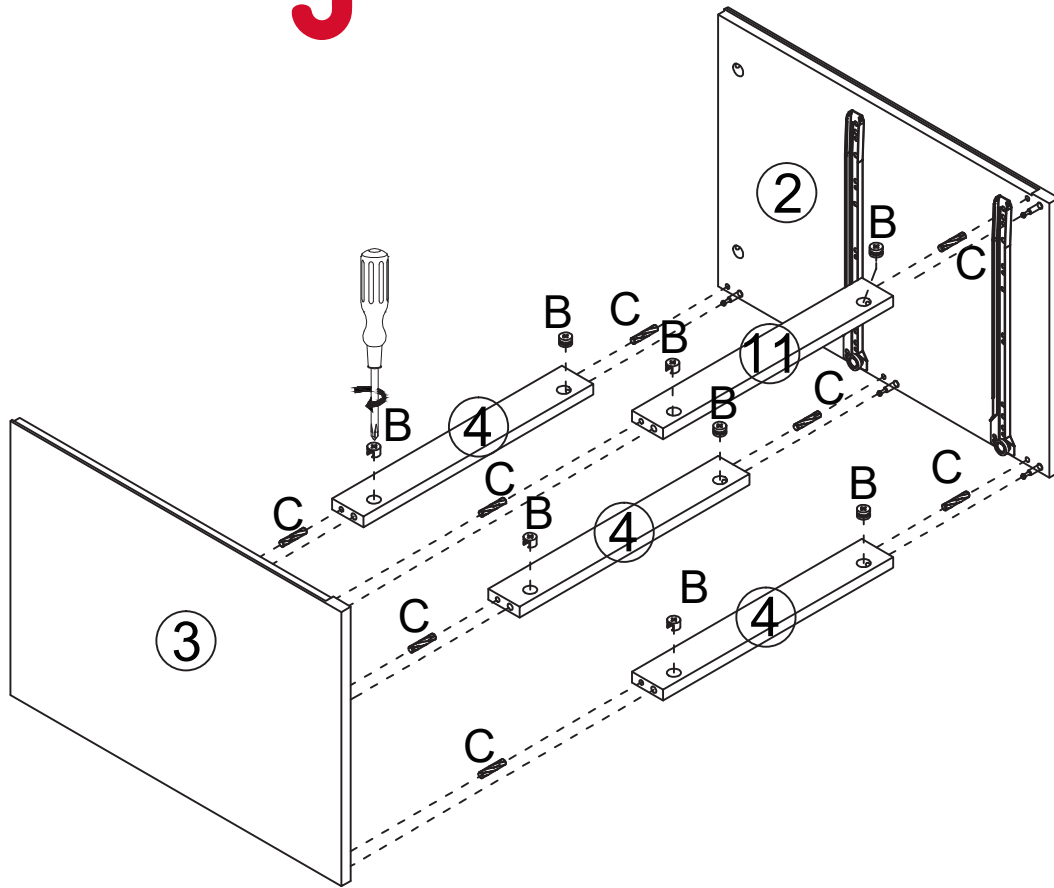
				 <b>A</b> x20	 <b>B</b> x20	 <b>C</b> x12	 <b>D</b> (Ø3.5*12mm)X24
 <b>E</b> (Ø4*30mm) X8	 <b>F</b> x12	 <b>G</b> x20	 <b>H</b> x4	 <b>CL</b> x2	 <b>CR</b> x2	 <b>DL</b> x2	 <b>DR</b> x2

 <b>①</b> x1		 <b>②</b> x1		 <b>③</b> x1	
 <b>④</b> x3	 <b>⑤</b> x1	 <b>⑥</b> x2	 <b>⑦</b> x2		
 <b>⑧</b> x2	 <b>⑨</b> x2	 <b>⑩</b> x2	 <b>⑪</b> x1		



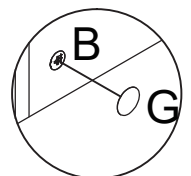
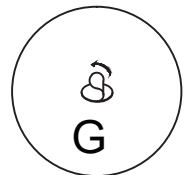
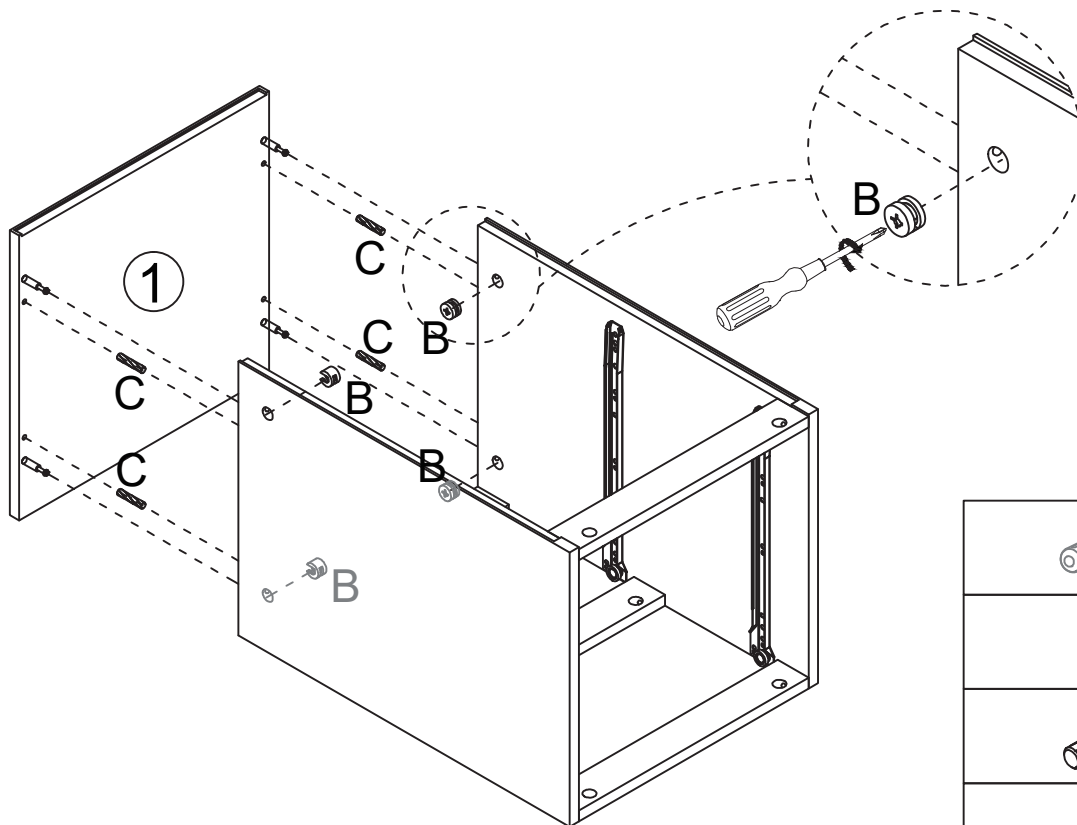
	
	Ax20
	Dx12
	CLx2
	CRx2

2



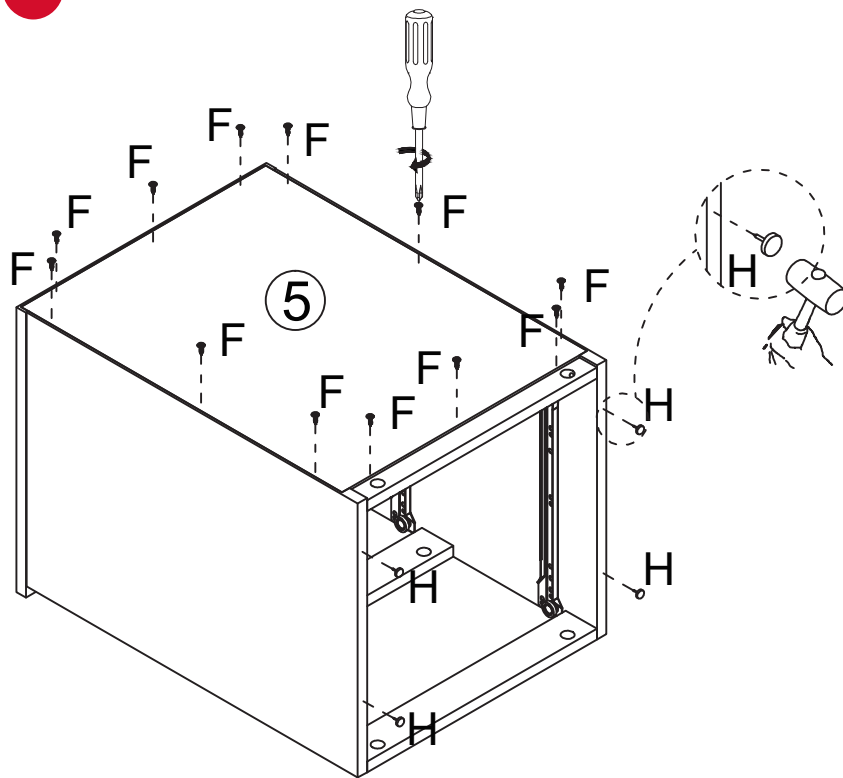
	Bx8
	Cx8
	Gx8





5



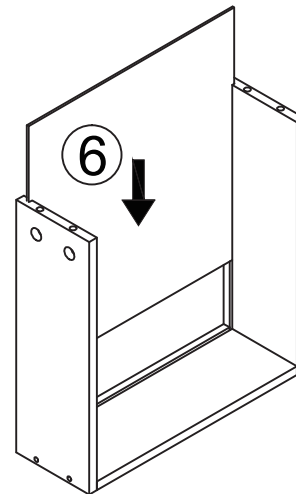
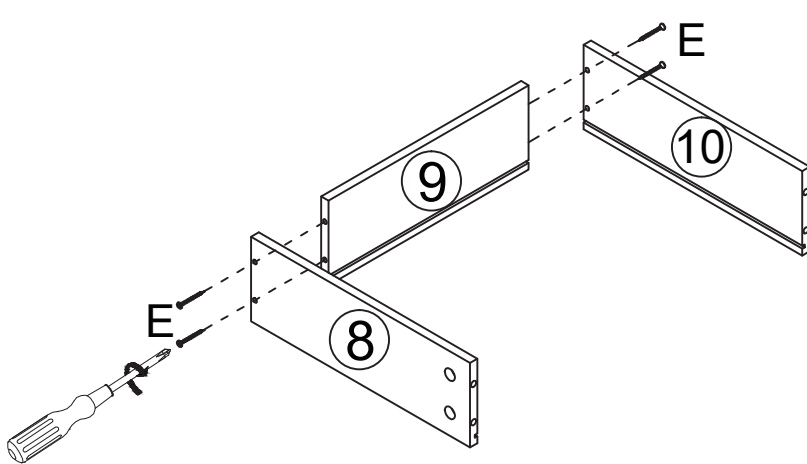
	Bx4
	Cx4
	Gx4

4





	Fx12
	Hx4
	
	

5

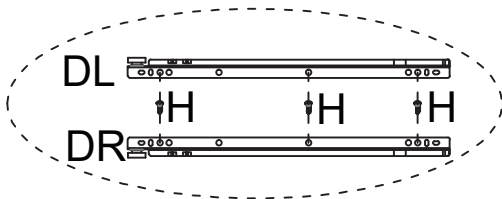
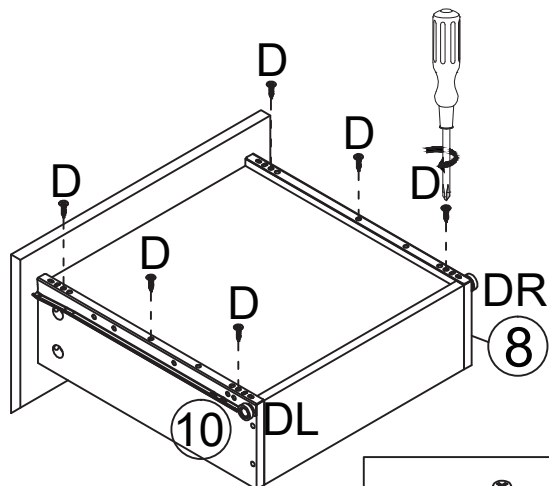
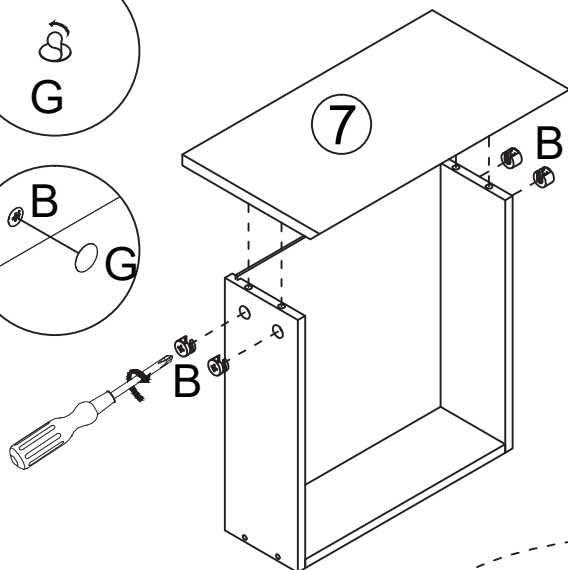
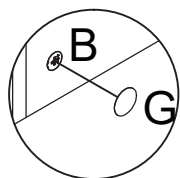
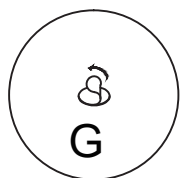


X2

	Ex8
	

# agata

6



X2

	Dx12
	Bx8
	DLx2
	DRx2
	Gx8

7

