


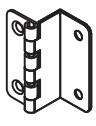




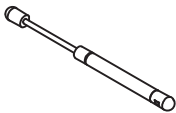


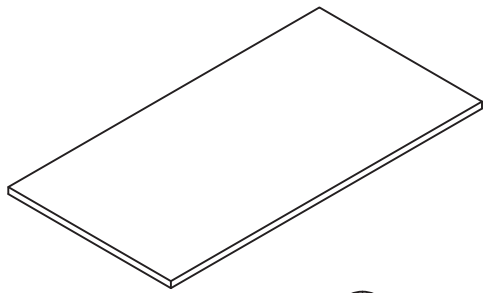
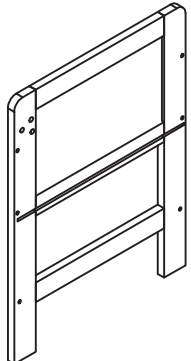
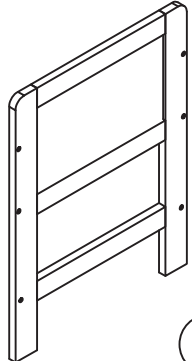
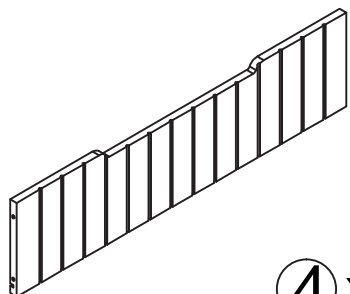
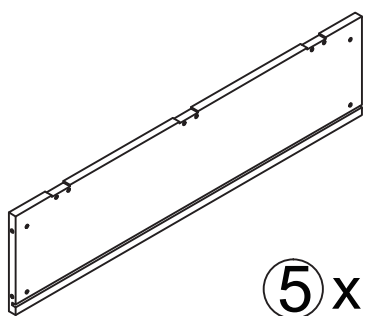
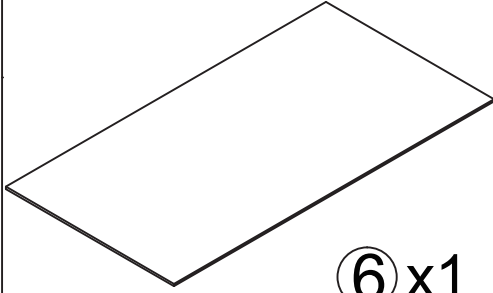
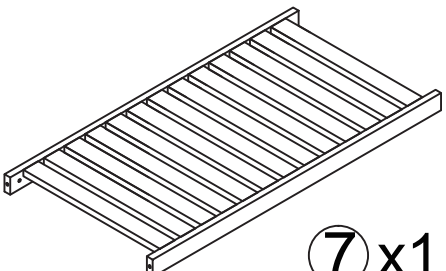
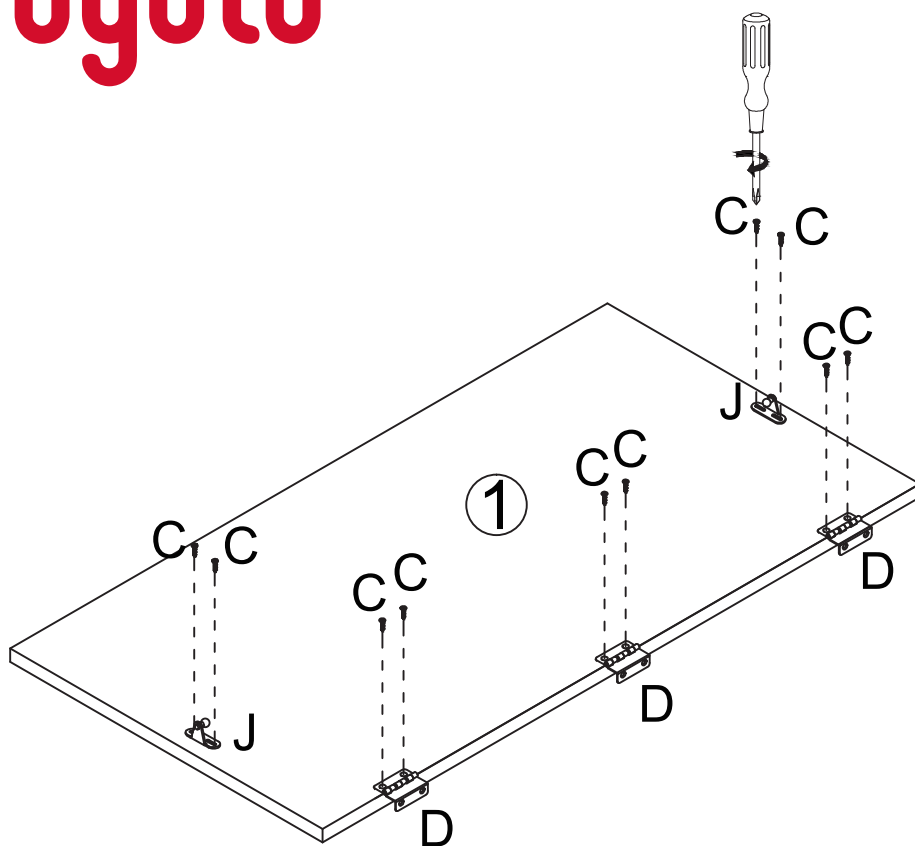






<p>A</p>  <p>(M6*45mm) x12</p>	<p>B</p>  <p>x12</p>	<p>C</p>  <p>(Ø3.5*12mm)x22</p>	<p>D</p>  <p>x3</p>	<p>E</p>  <p>x1</p>	<p>F</p>  <p>x24</p>
<p>G</p>  <p>x2</p>	<p>H</p>  <p>x4</p>	<p>I</p>  <p>x2</p>	<p>J</p>  <p>x2</p>	<p>K</p>  <p>x2</p>	

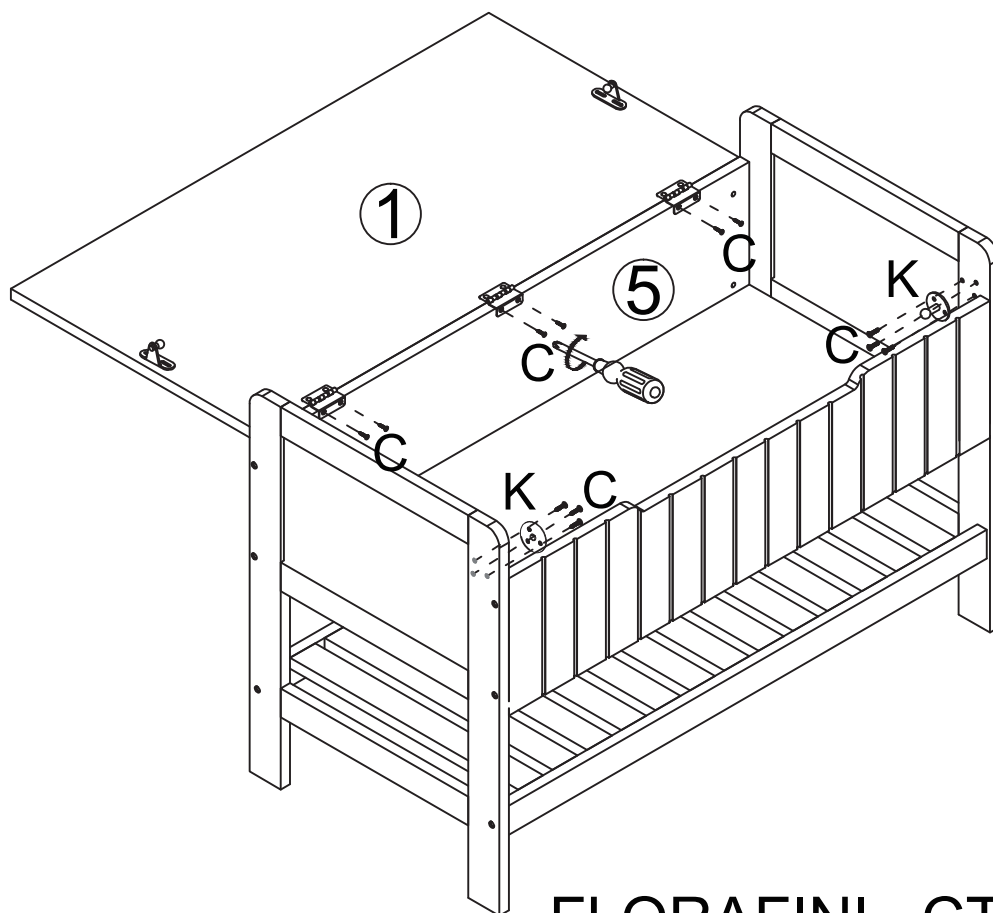
 <p>① x1</p>	 <p>② x1</p>	 <p>③ x1</p>
 <p>④ x1</p>	 <p>⑤ x1</p>	 <p>⑥ x1</p>
 <p>⑦ x1</p>		




3



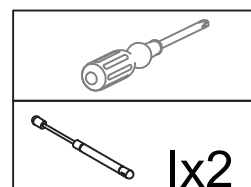
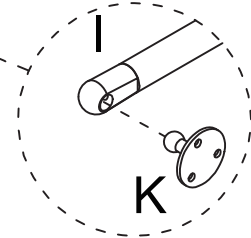
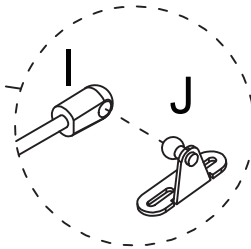
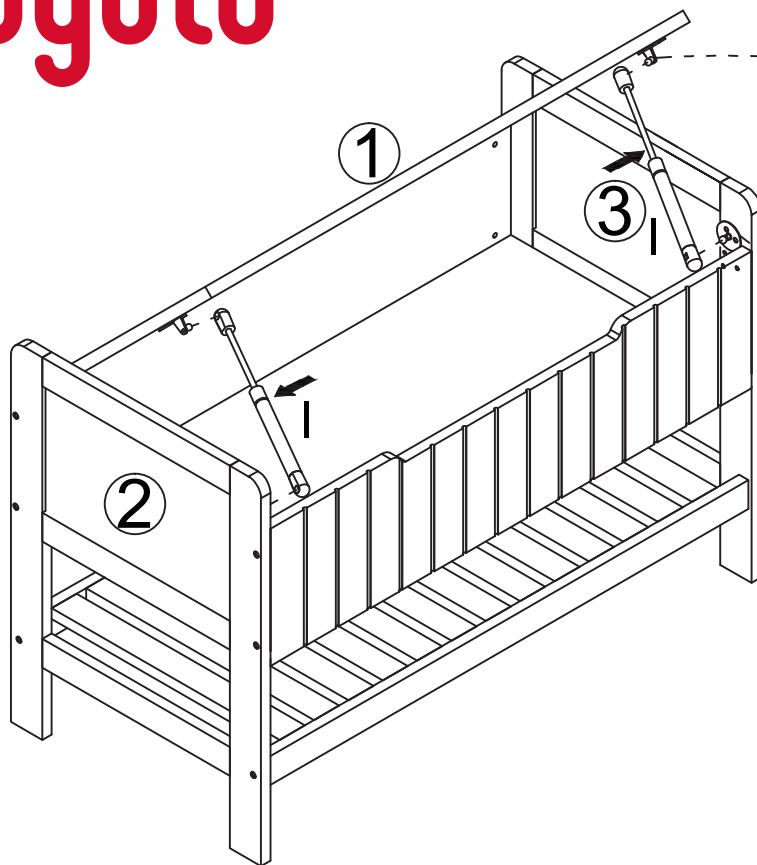
	
	Cx10
	Dx3
	Jx2

4

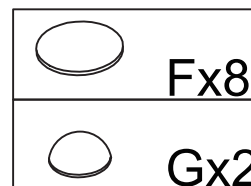
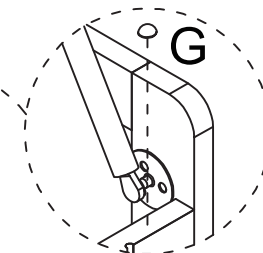
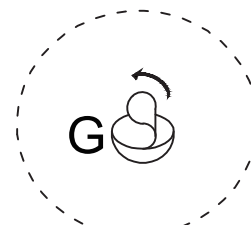
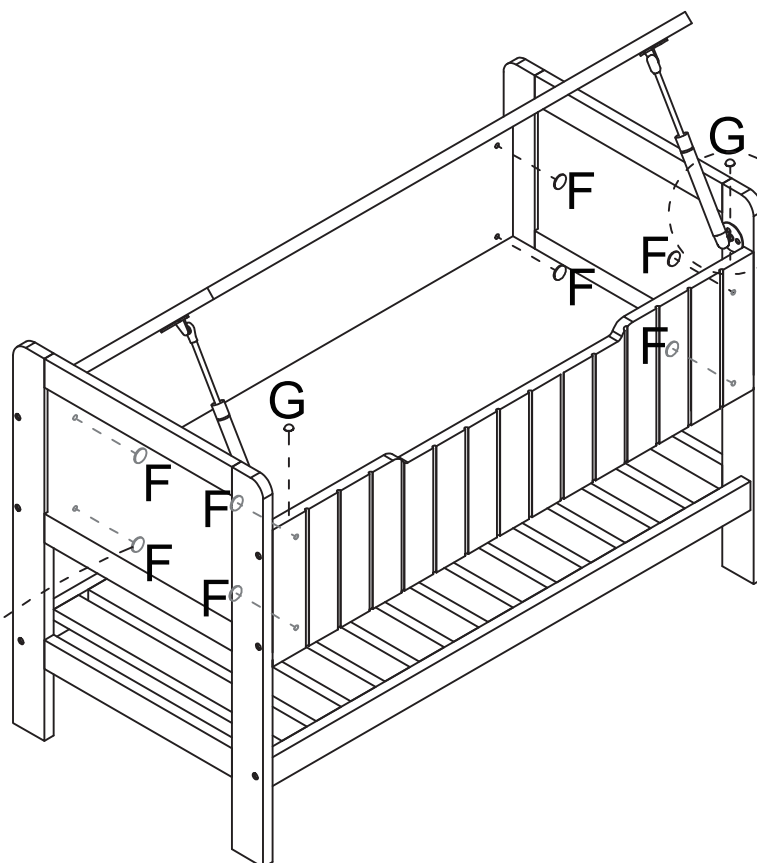


	
	Cx12
	Kx2

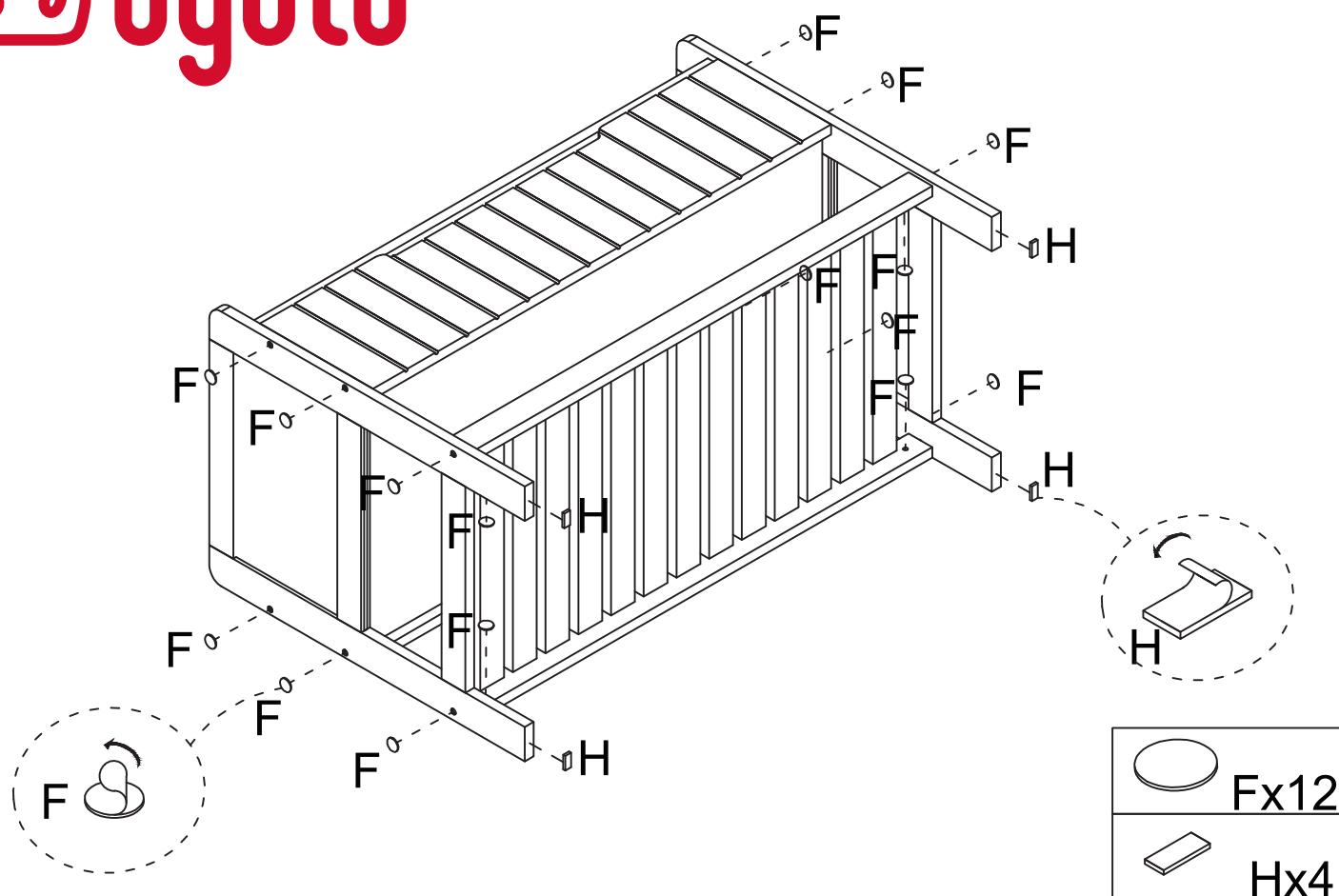
5



6



7



8

