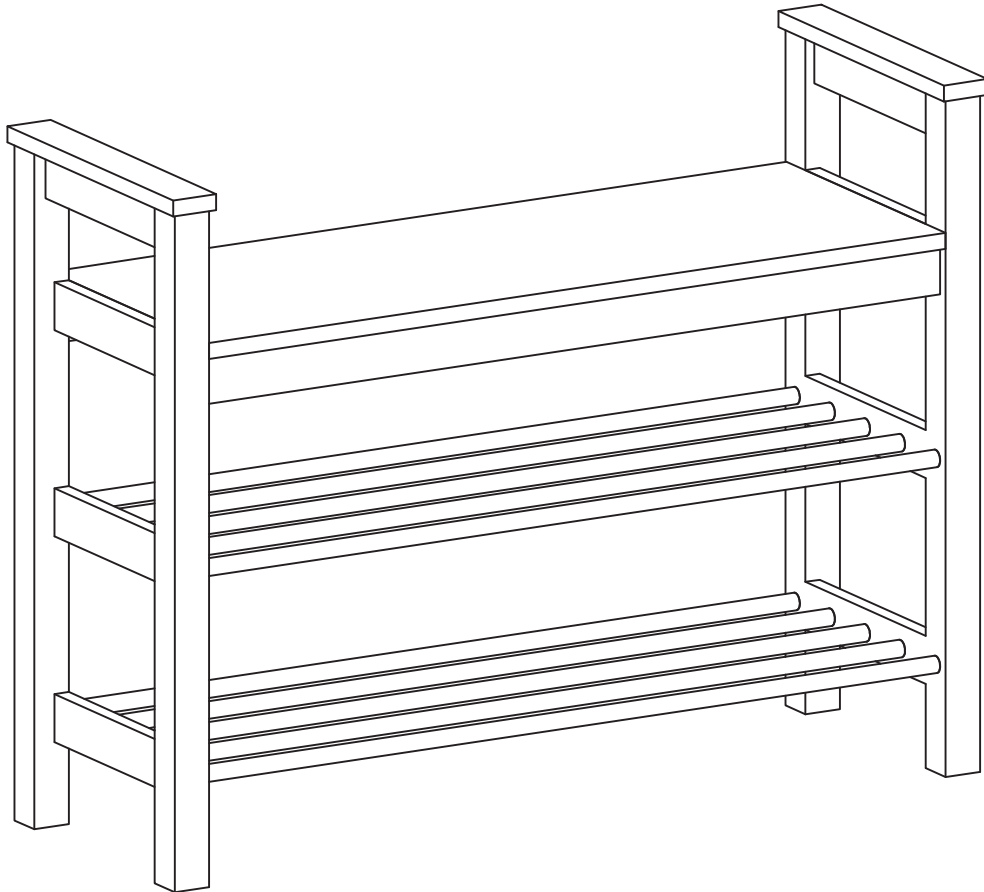


agata



X 1





30min

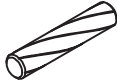

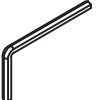


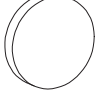
+

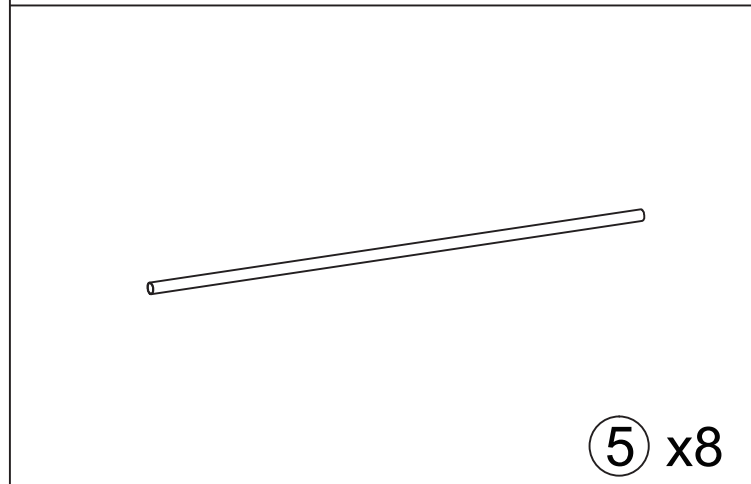
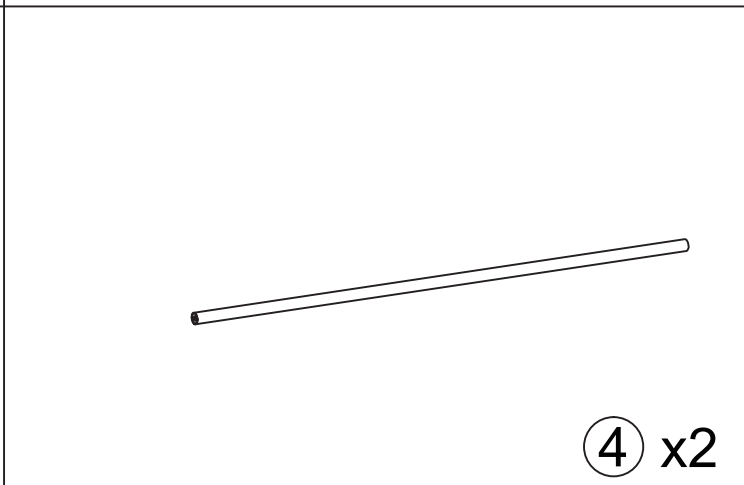
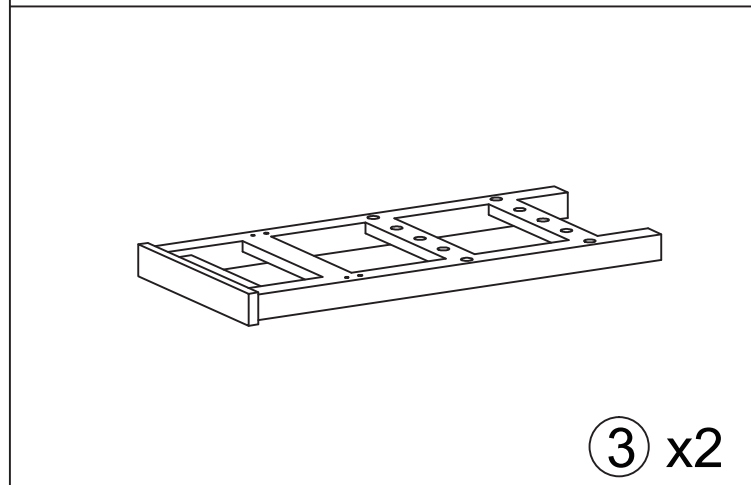
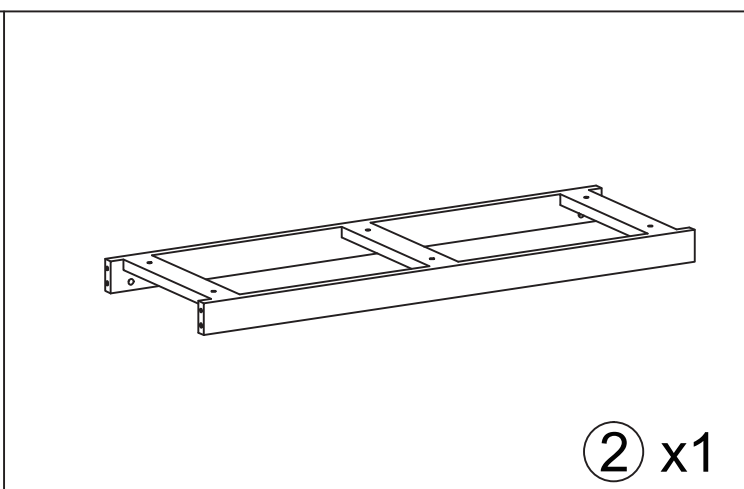
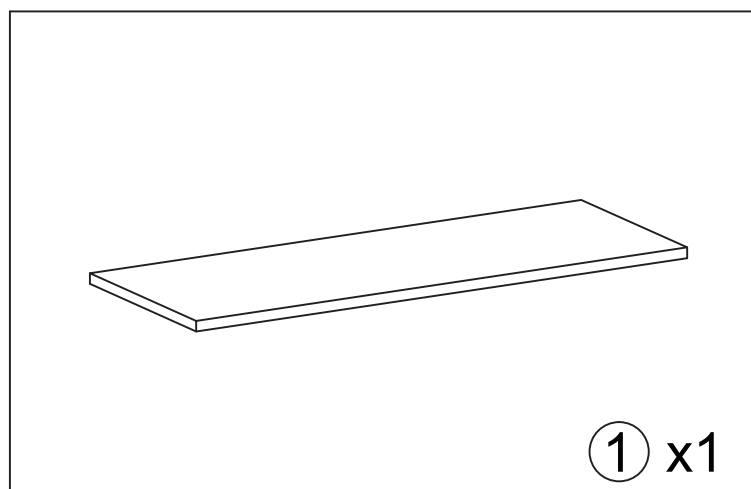


-

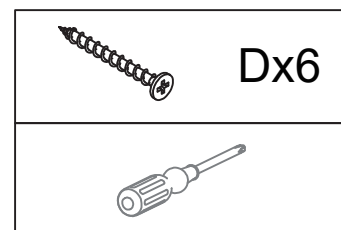
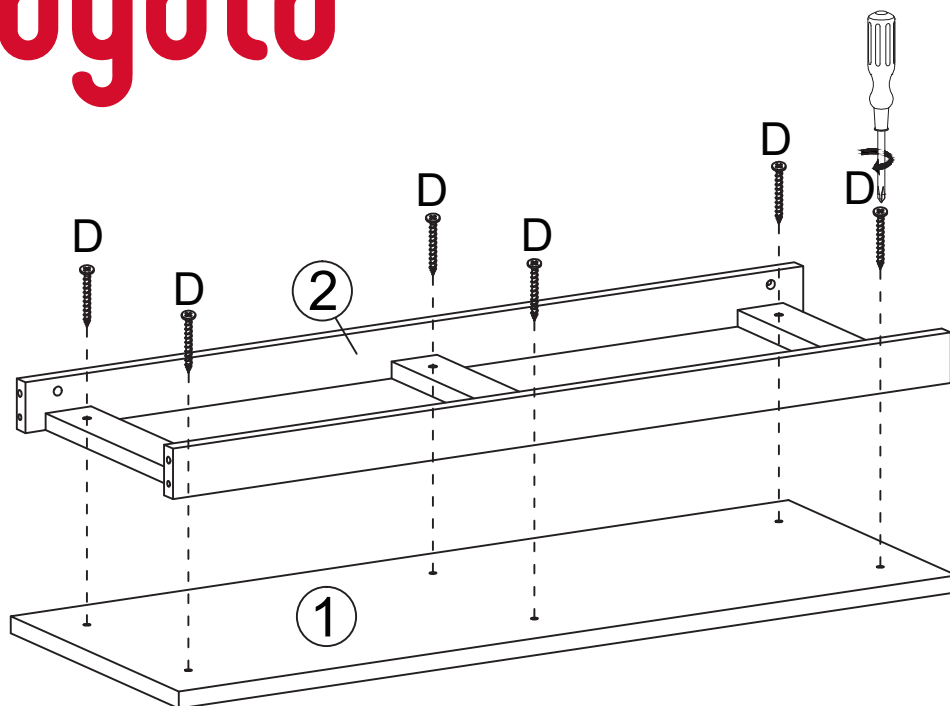


<p>A</p>  <p>x4</p>	<p>B</p>  <p>(Ø6x60mm)x4</p>
--	---

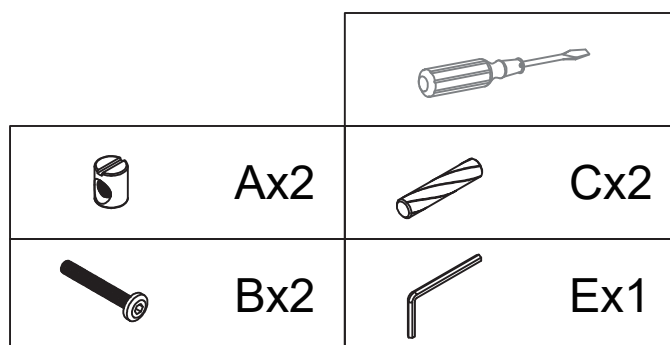
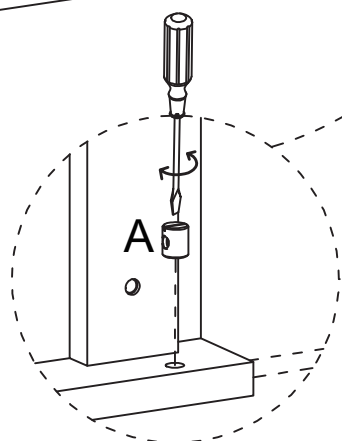
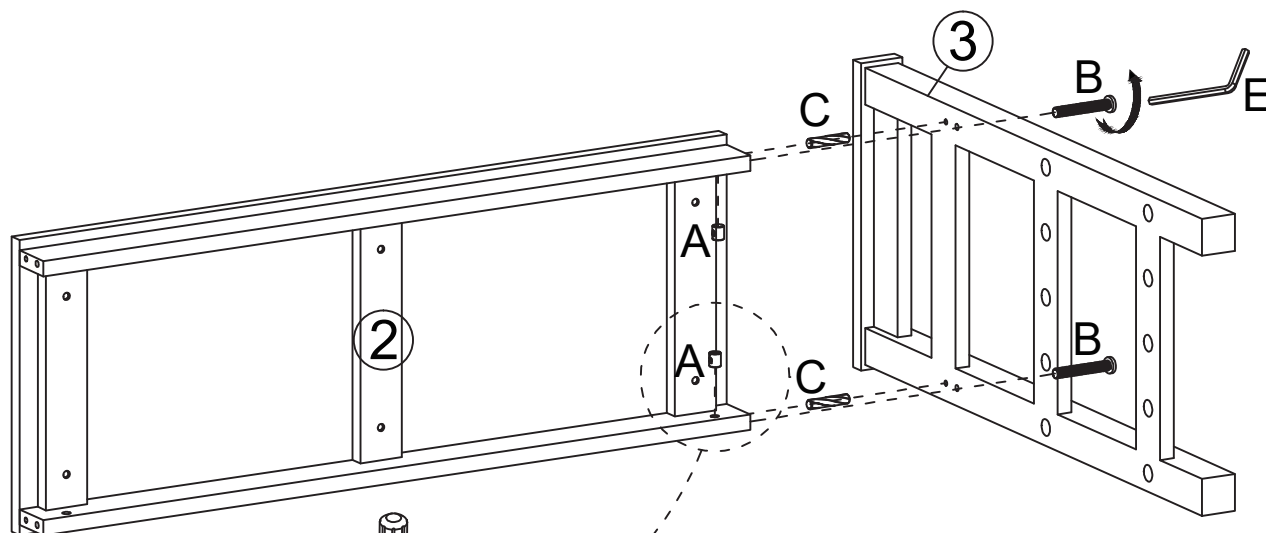
<p>C</p>  <p>(Ø6x30mm)x4</p>	<p>D</p>  <p>(Ø4x25mm)x6</p>	<p>E</p>  <p>x1</p>	<p>F</p>  <p>(Ø6x40mm)x4</p>	<p>G</p>  <p>x8</p>	<p>H</p>  <p>x4</p>
---	---	--	---	--	--



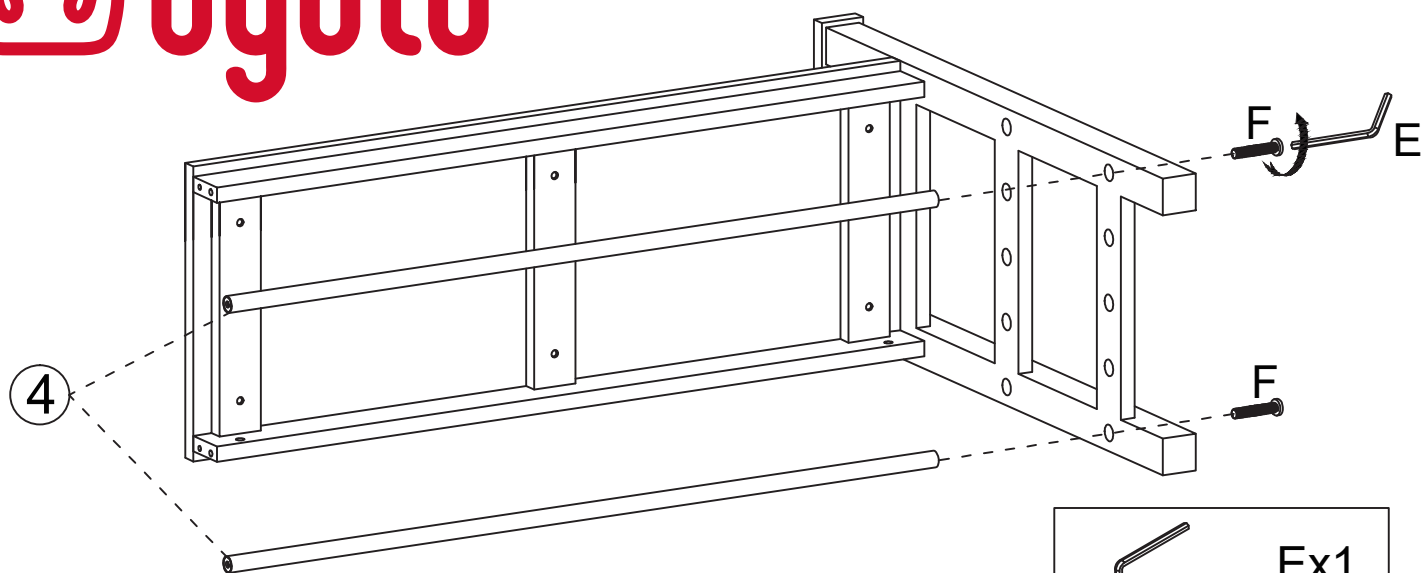
1





2

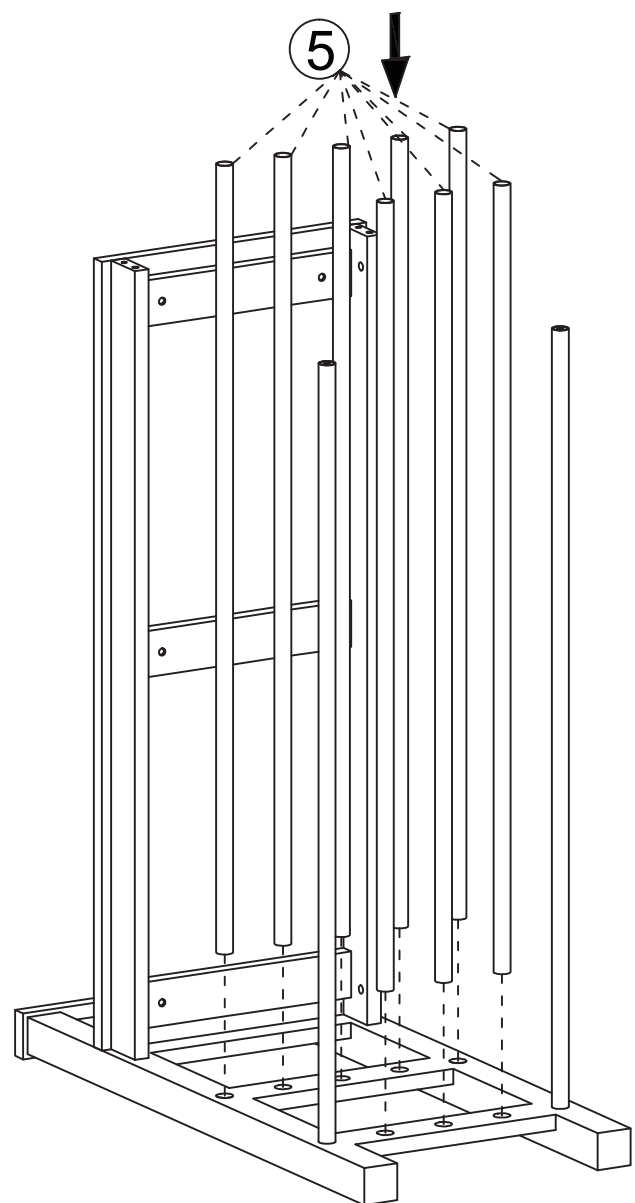


3

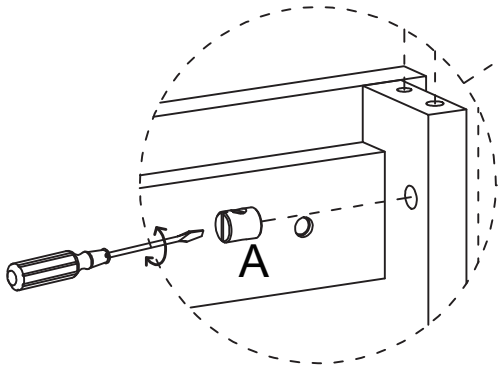
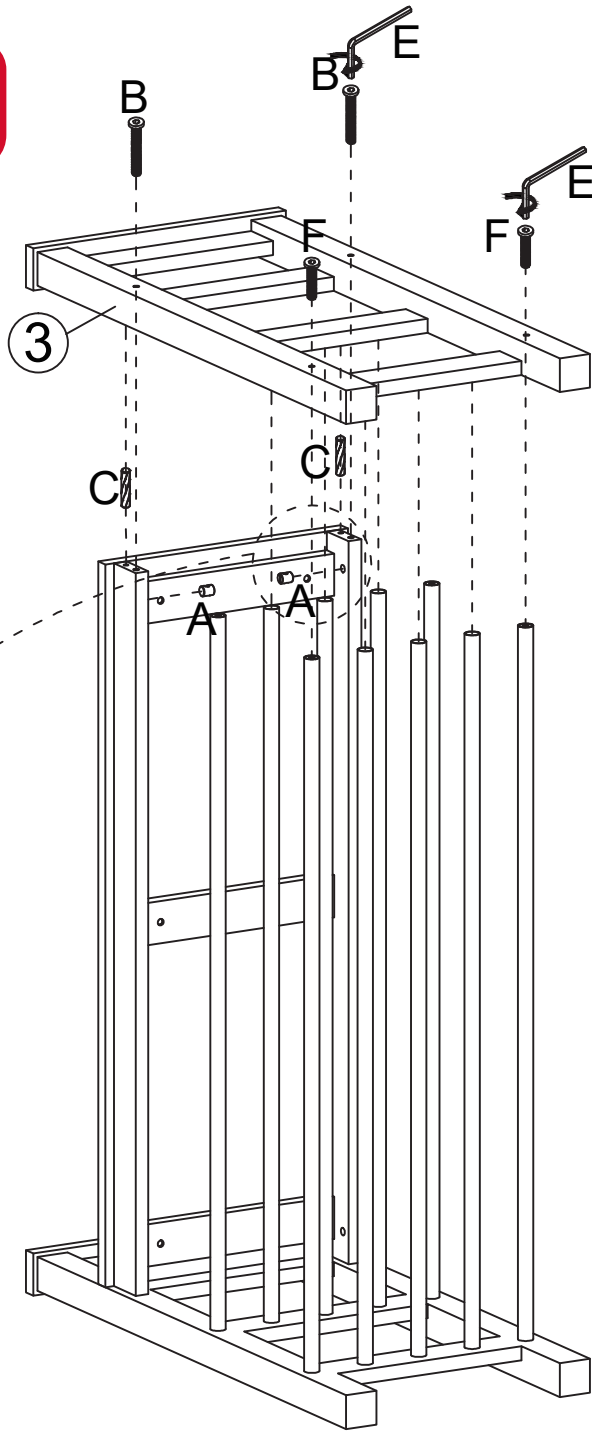








	Ex1
	Fx2

4

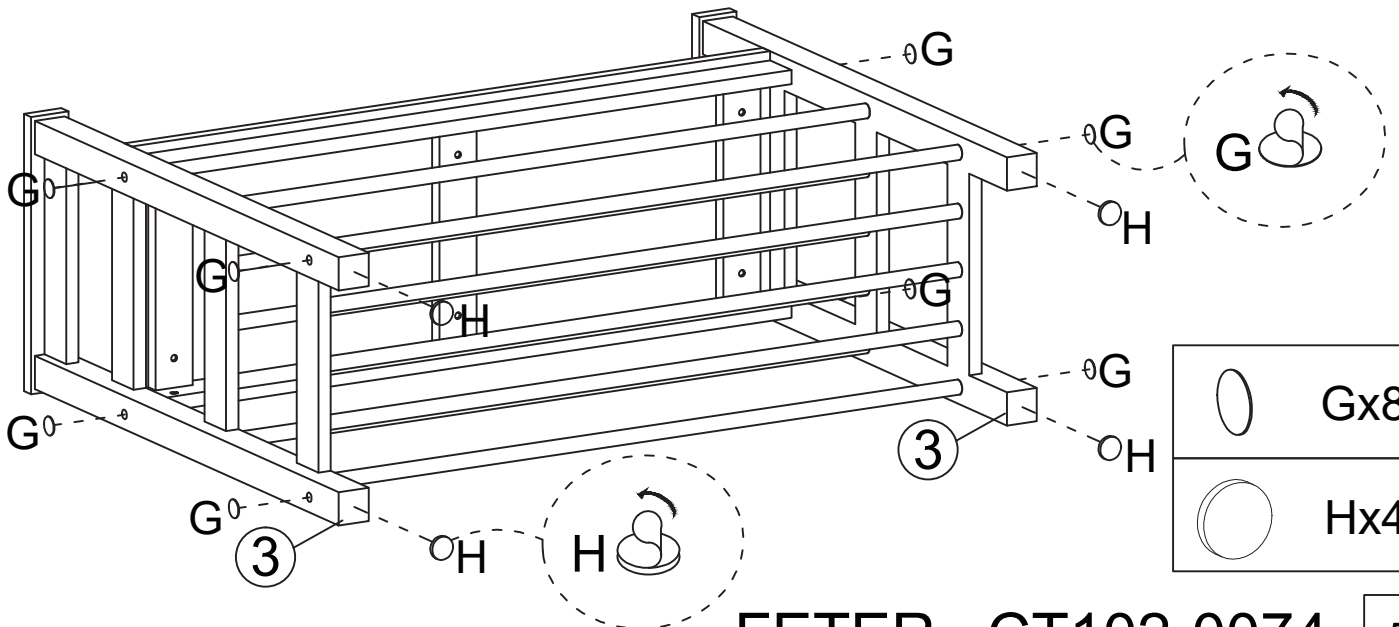


5



	Ax2
	Bx2
	Cx2
	Ex1
	Fx2
	

6



	Gx8
	Hx4