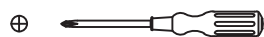
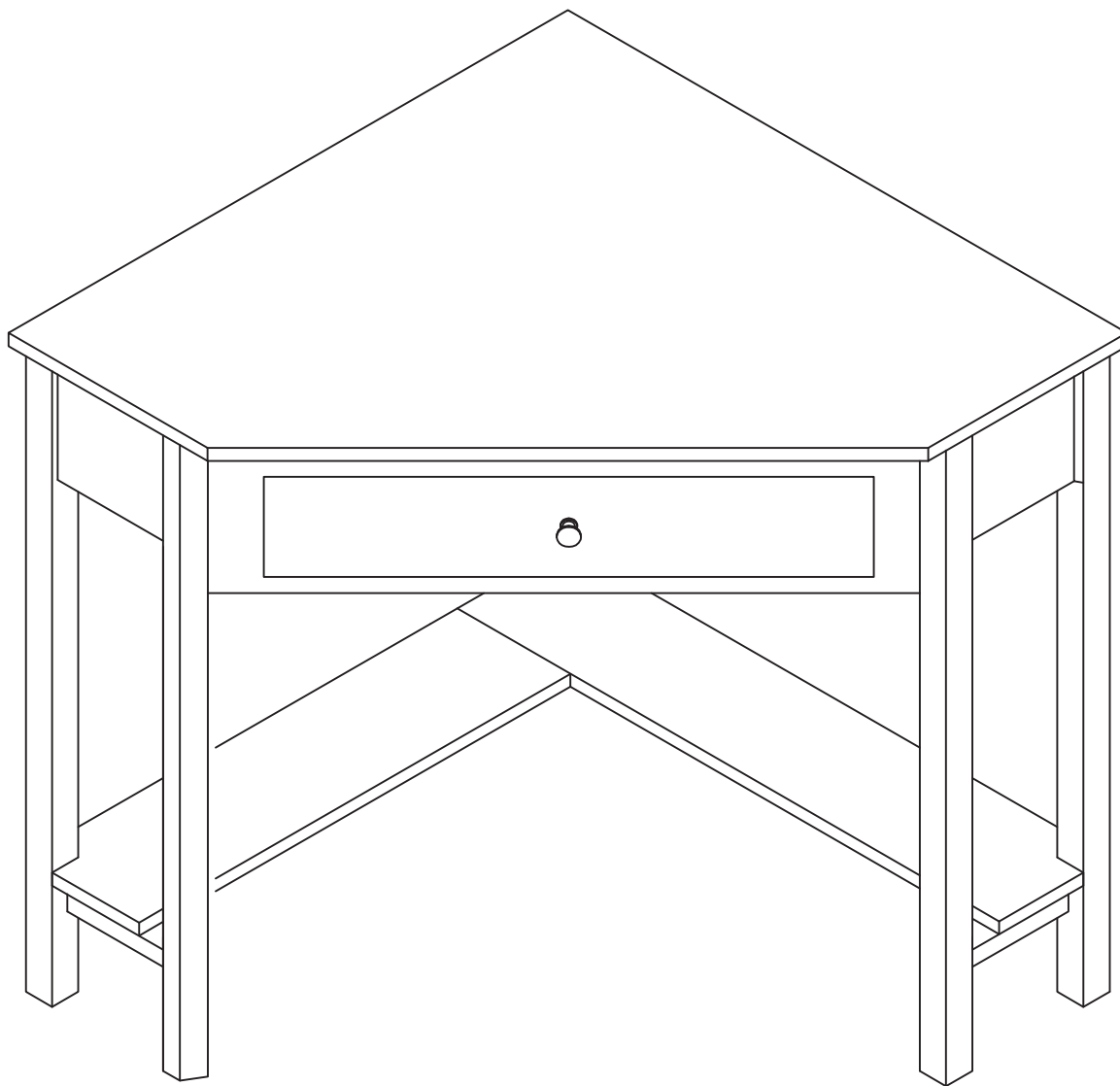
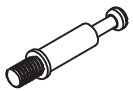

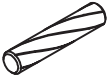





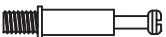









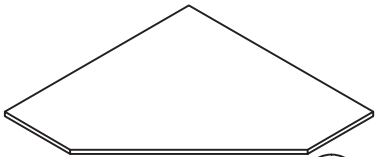
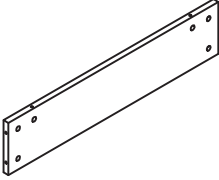
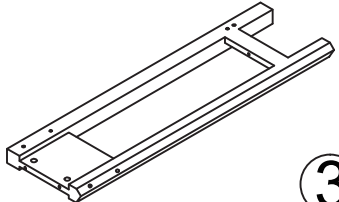
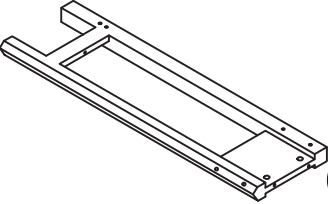
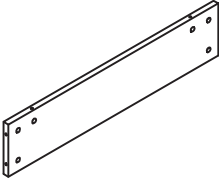
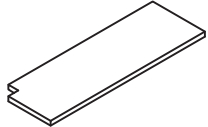
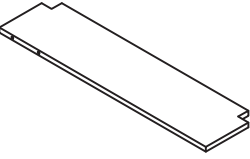
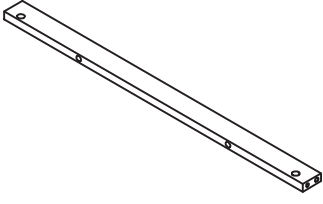
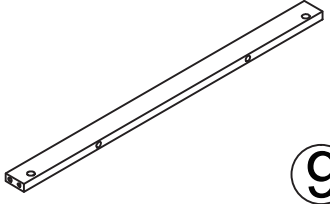
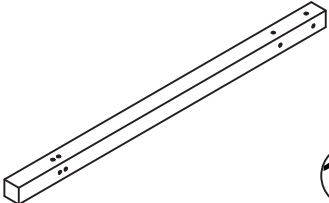
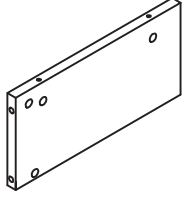
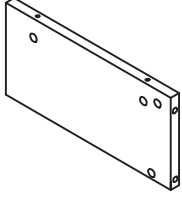
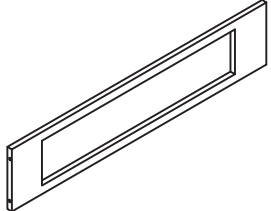
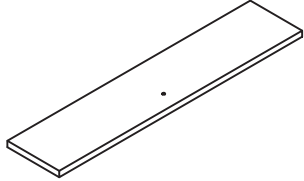
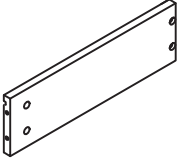
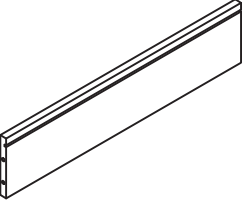
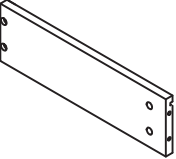
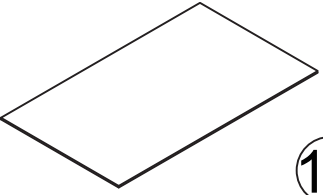
 agata



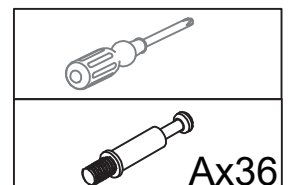
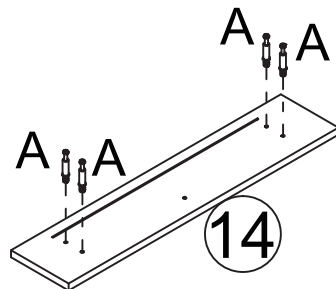
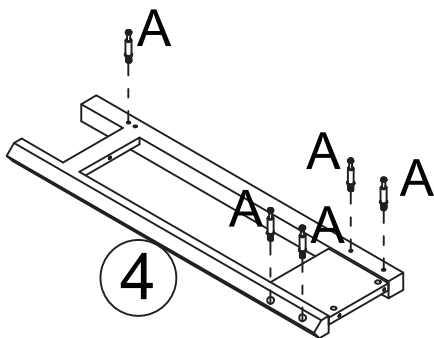
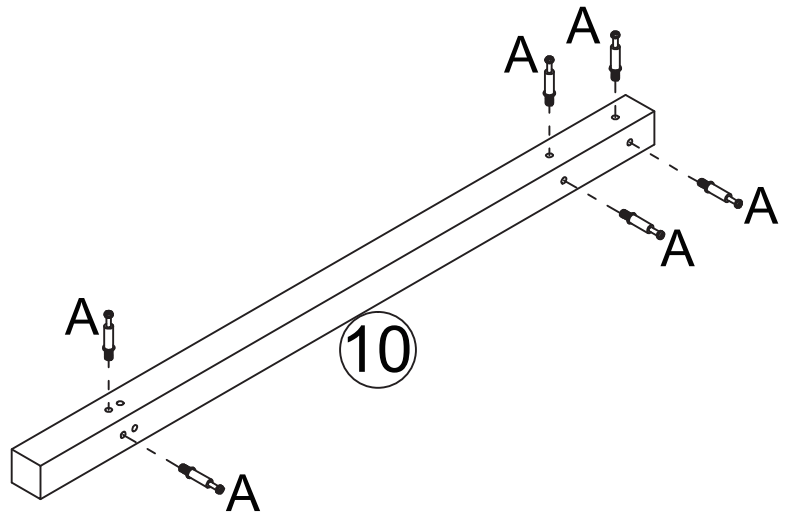
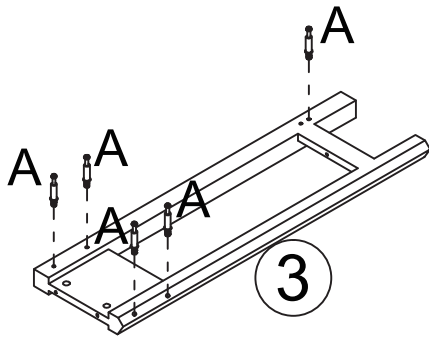
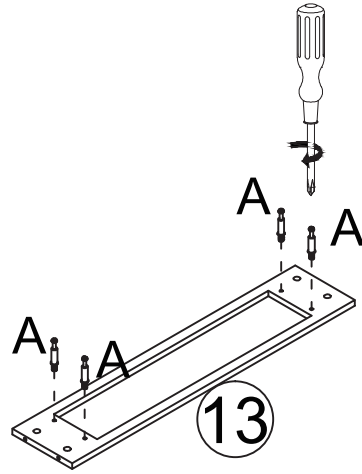
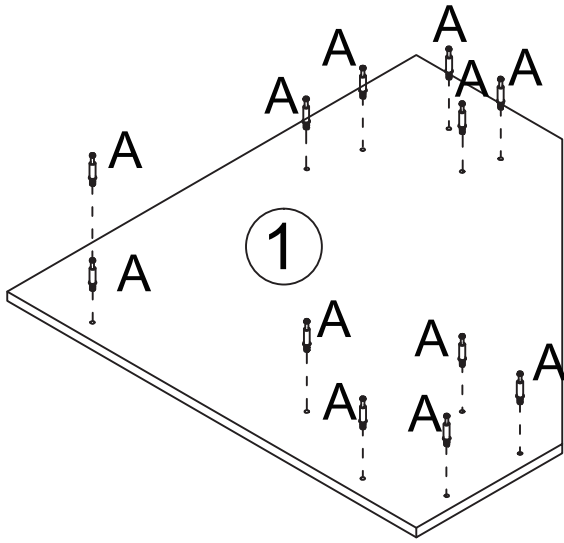
FALKEVIK CT013-0097GR

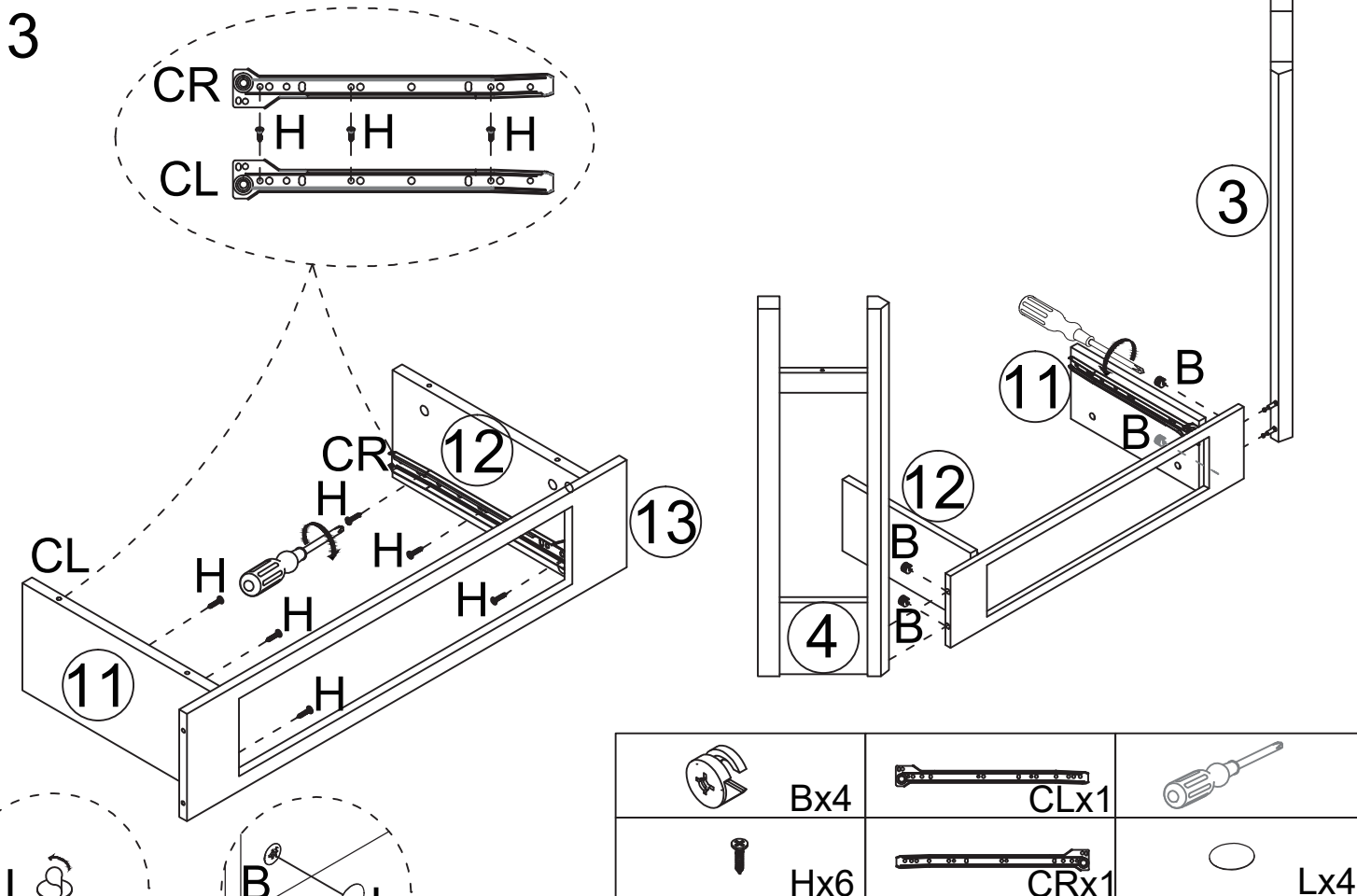
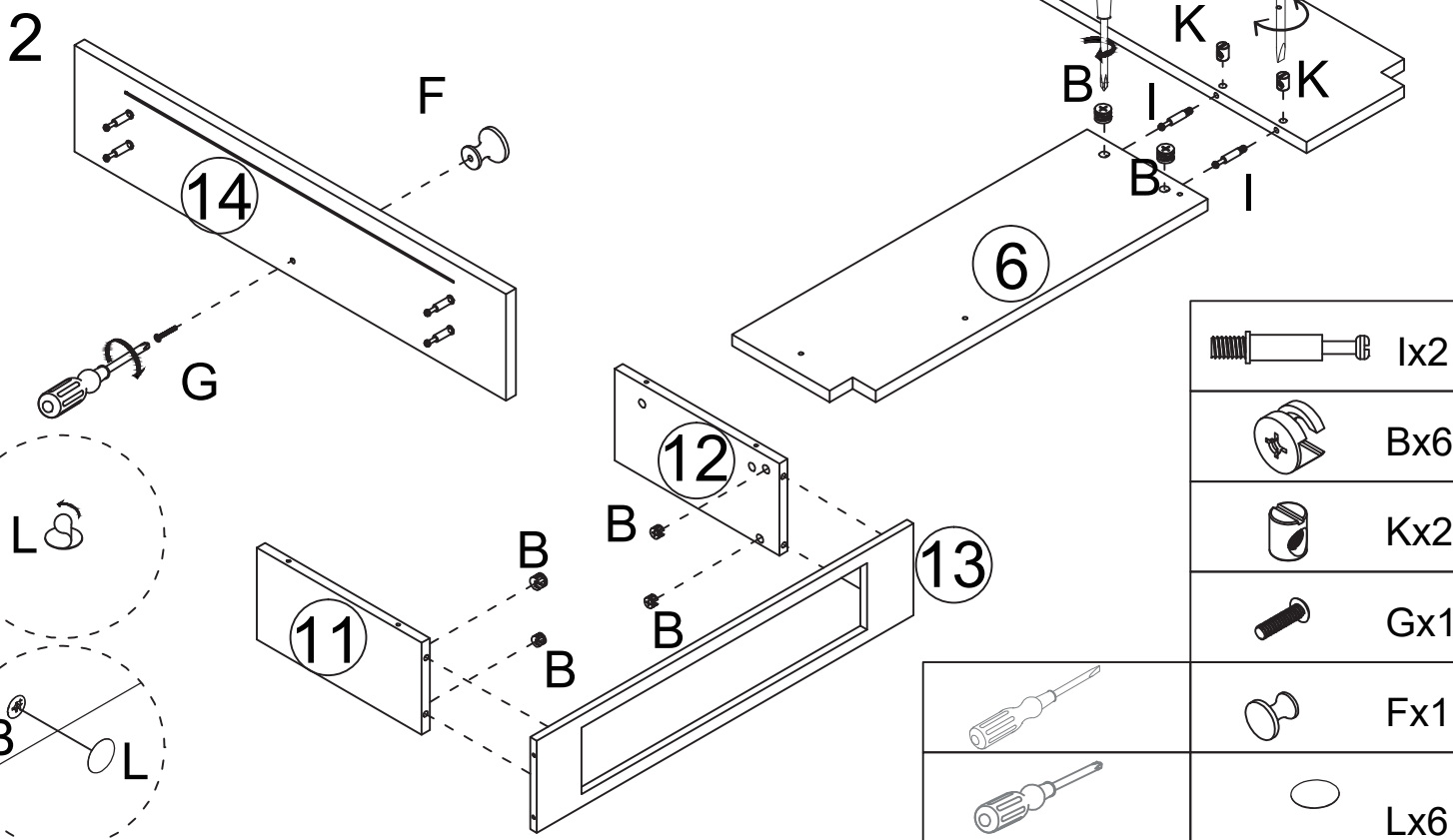
1/7

A  x36	B  x38	C  x4	D  (Ø4*30mm) x4	E  (Ø4*40mm) x6	F  x1	G  (M4*18mm) x1	H  (Ø3.5*12mm) x12
I  x2	J  x5	K  x2	L  x38	CL  x1	CR  x1	DL  x1	DR  x1

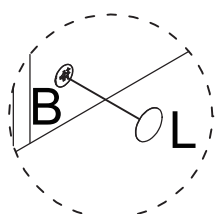
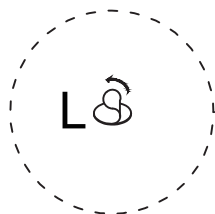
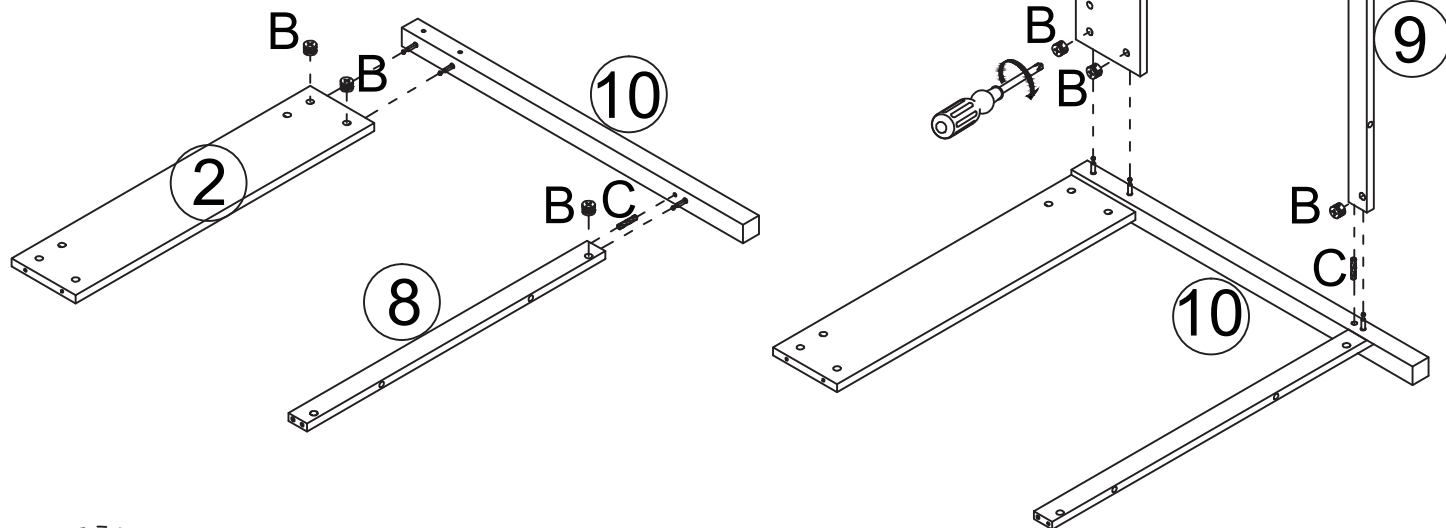
 ① x1	 ② x1	 ③ x1
 ④ x1	 ⑤ x1	 ⑥ x1
 ⑦ x1	 ⑧ x1	 ⑨ x1
 ⑩ x1	 ⑪ x1	 ⑫ x1
 ⑬ x1	 ⑭ x1	 ⑮ x1
 ⑯ x1	 ⑰ x1	 ⑱ x1

1



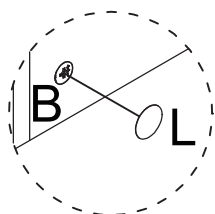
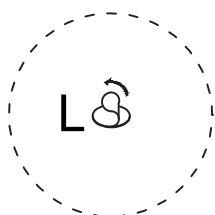
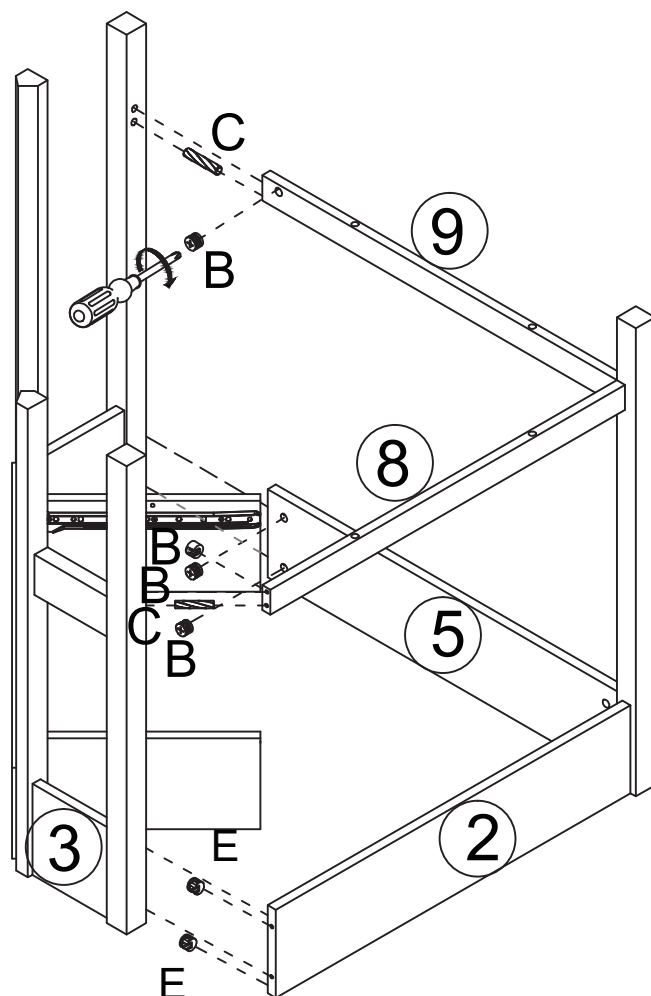


4



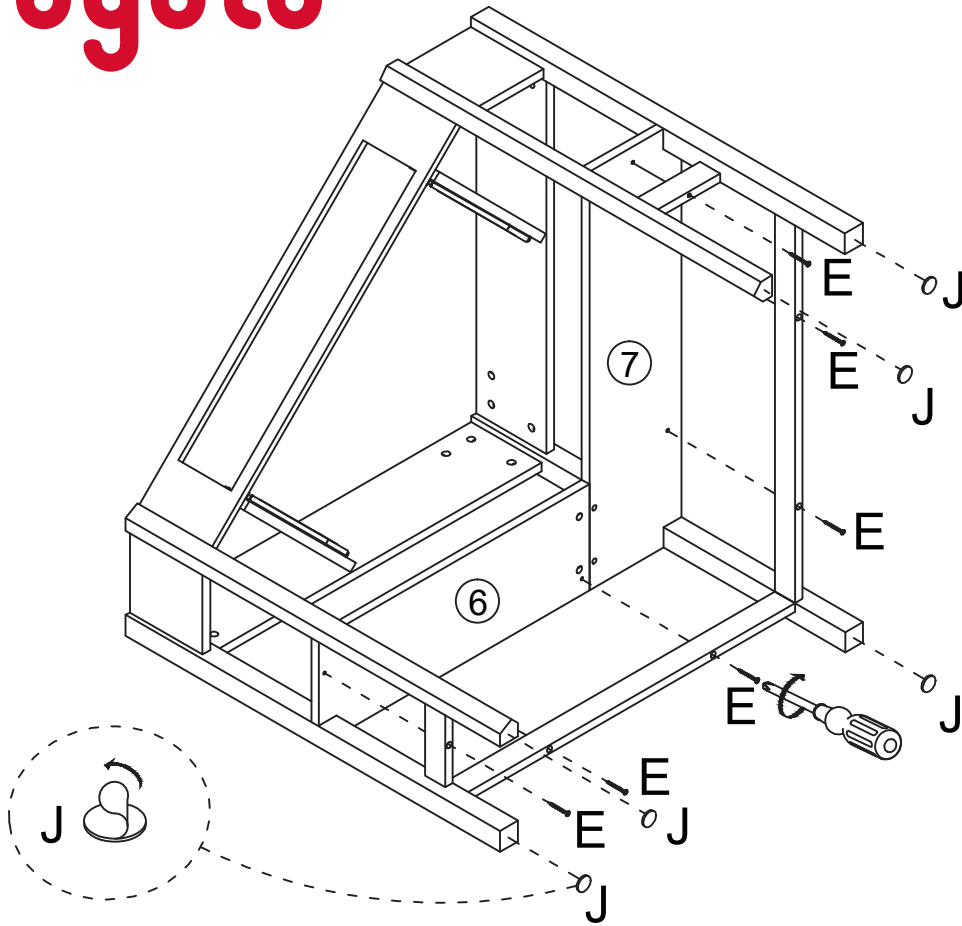
	Bx6		Lx6
	Cx2		




5



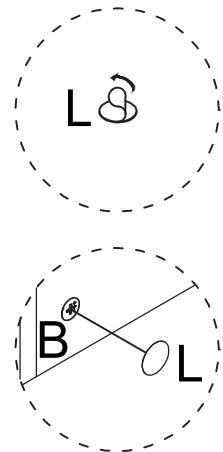
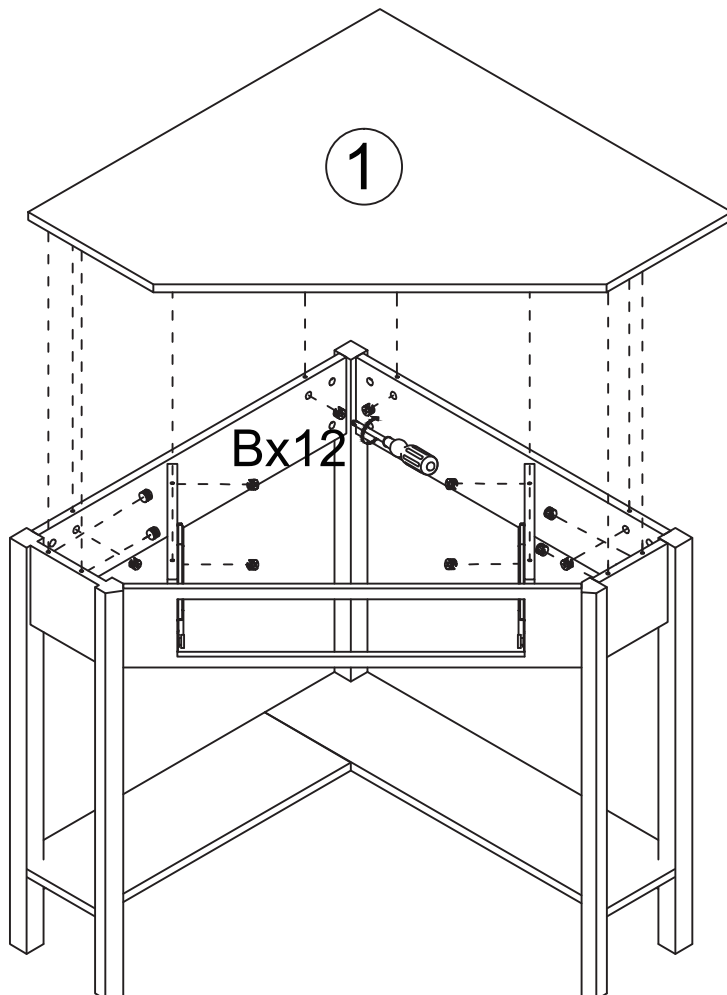
	Bx6		Lx6
	Cx2		
			Lx6




6



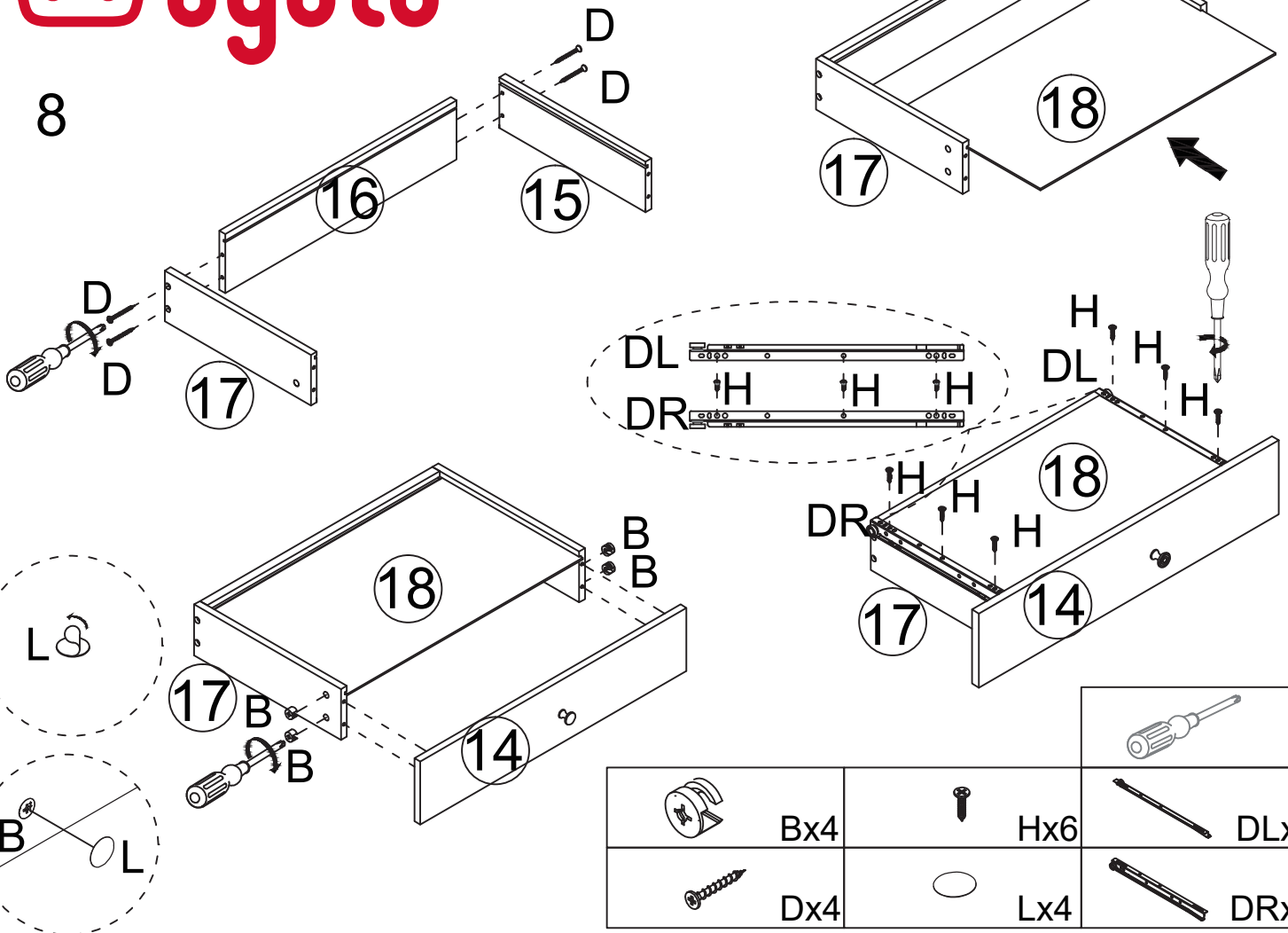
	
	Ex6
	Jx5

7



	
	Bx12
	Lx12

8



9

