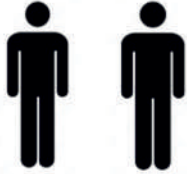
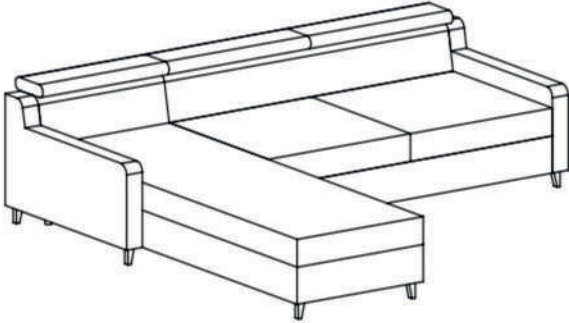




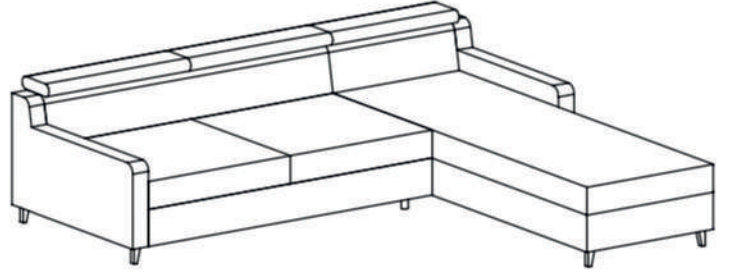
15 Min



L

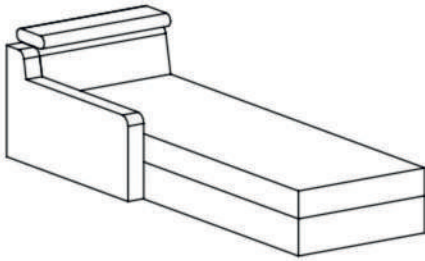


P



A

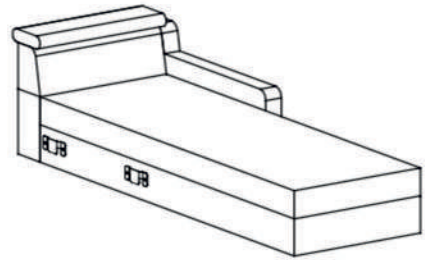
L



x1

A

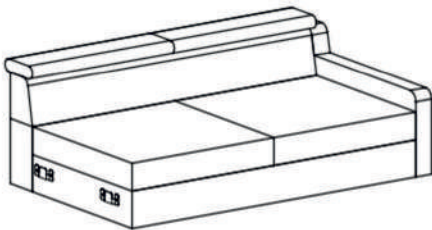
P



x1

B

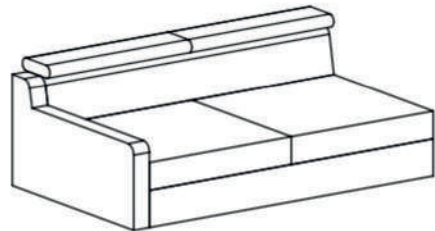
L



x1

B

P



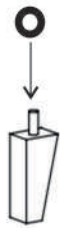
x1

C



x4

D



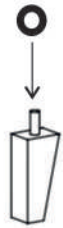
x6

C

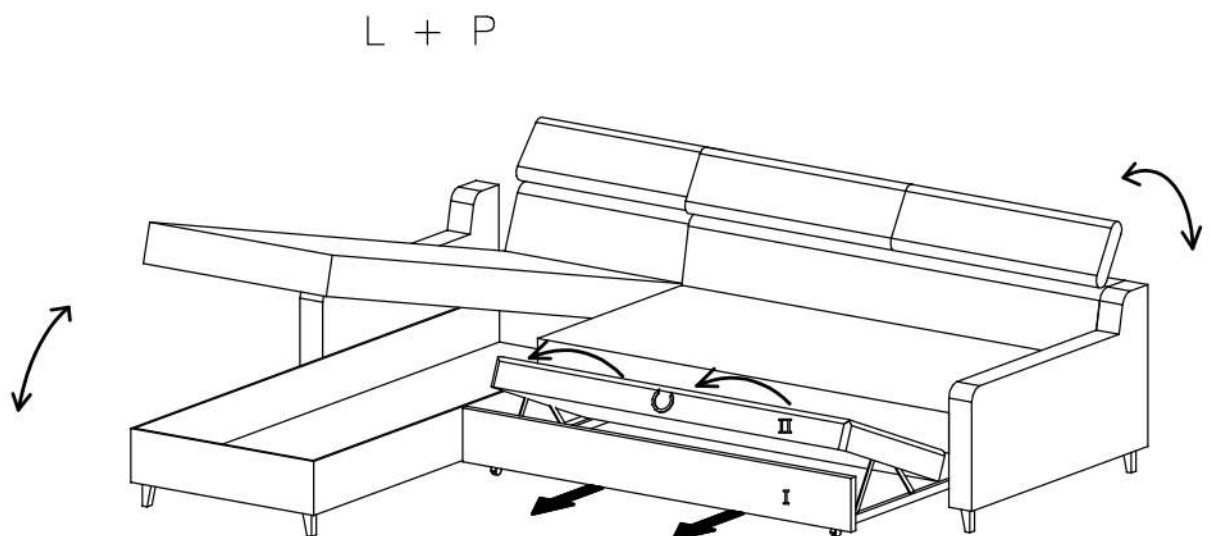
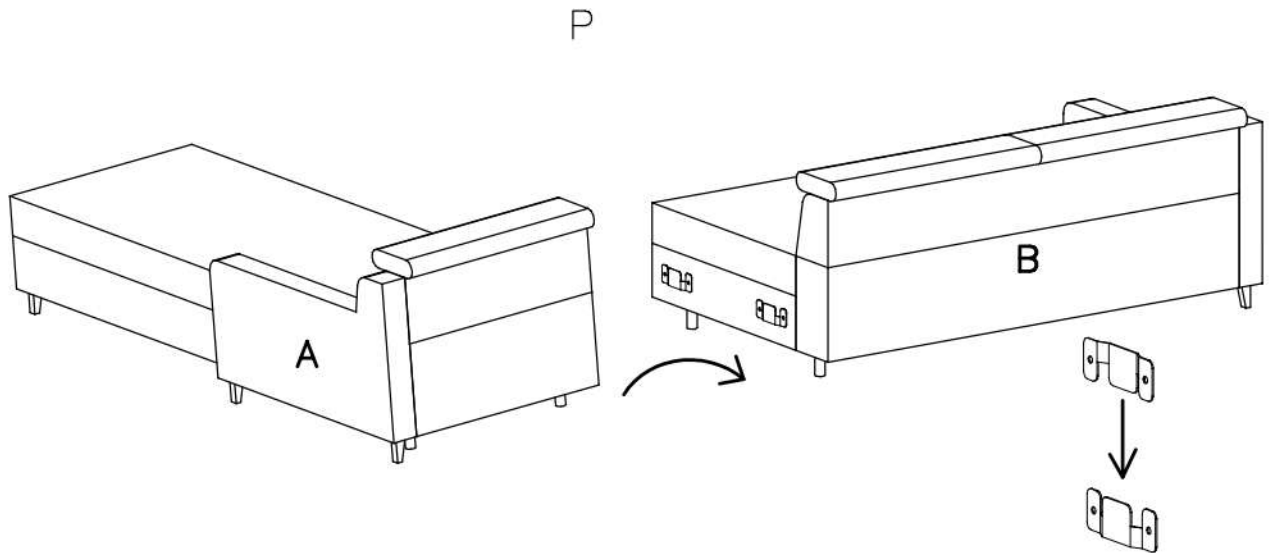
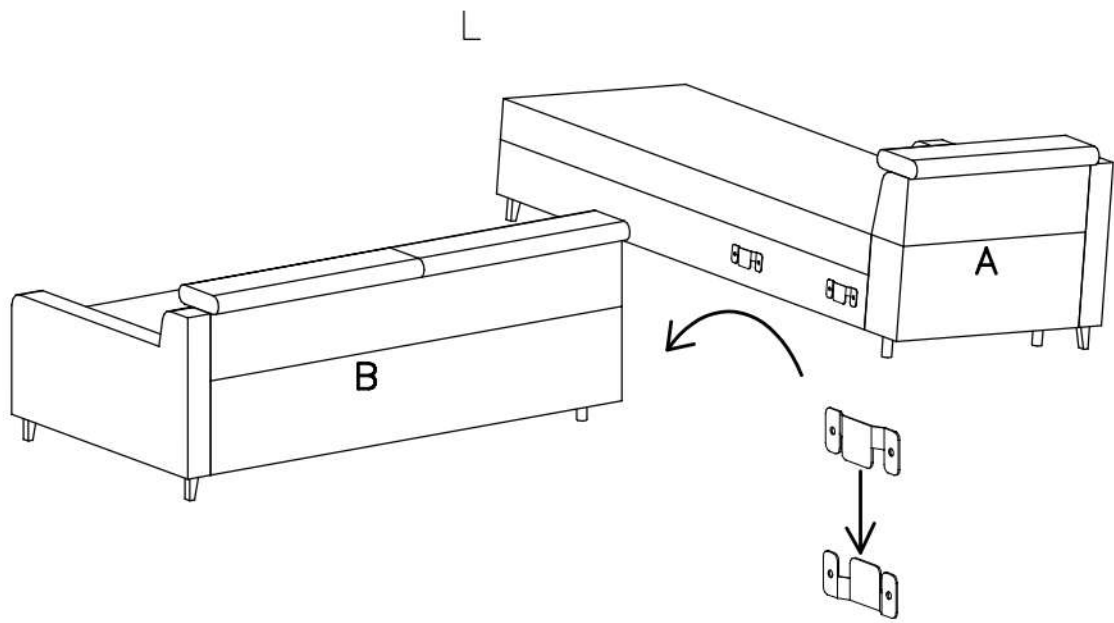


x4

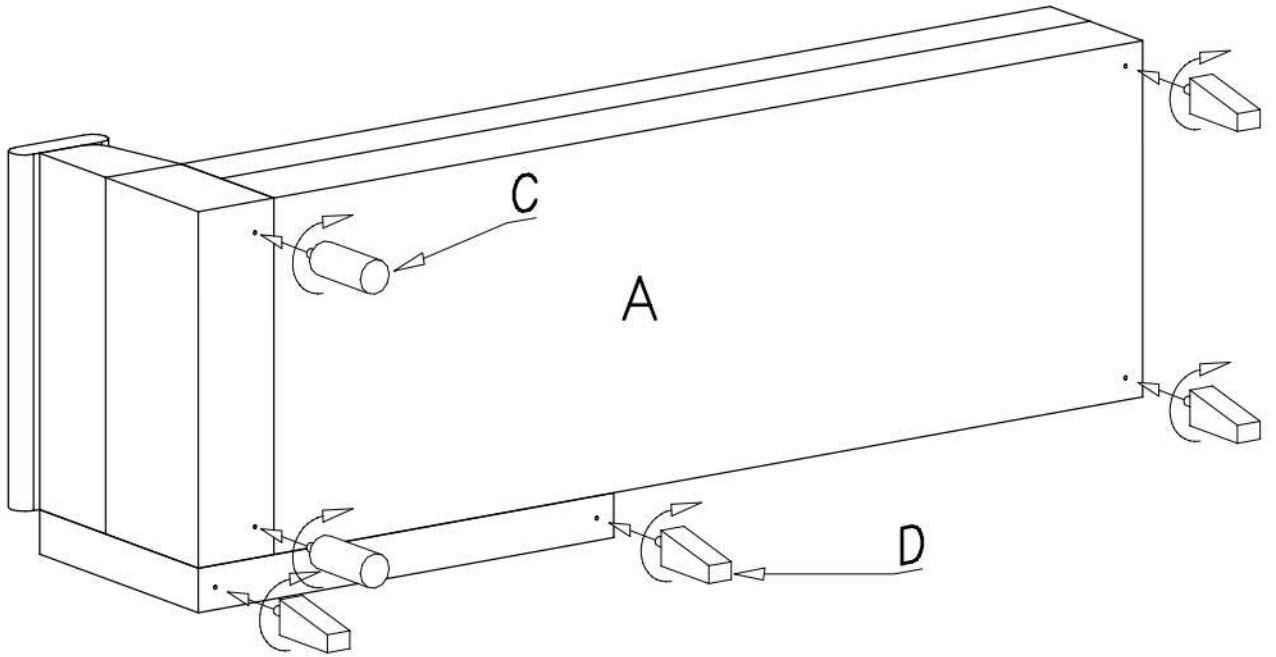
D



x6



L + P



L + P

